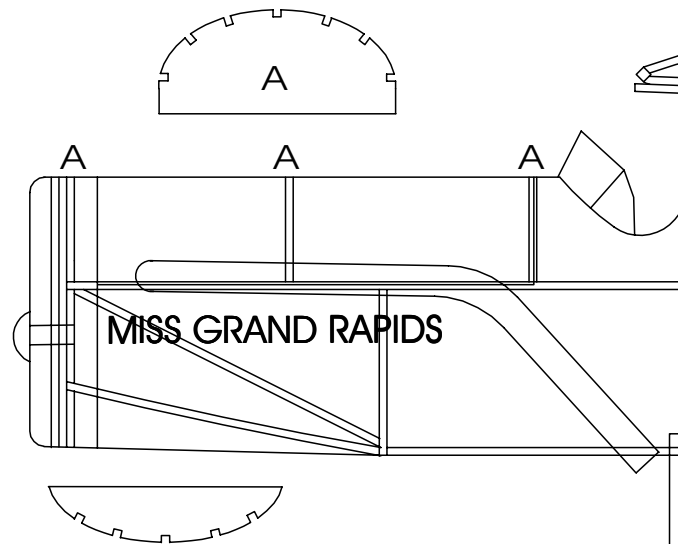
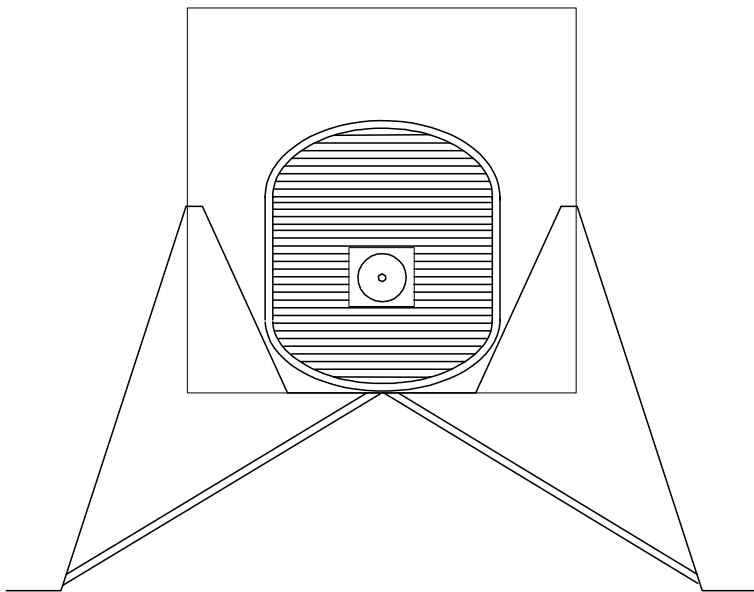
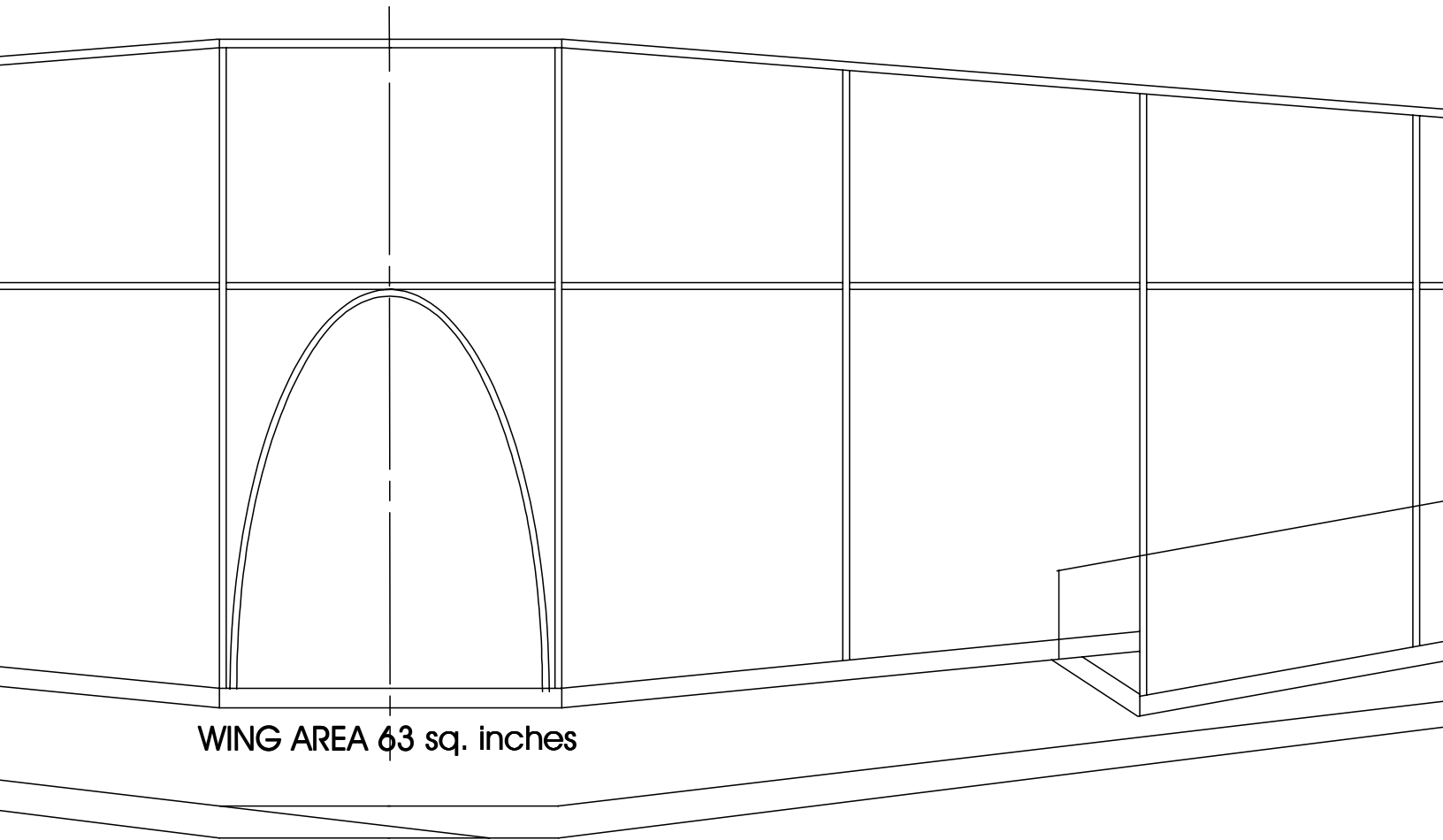
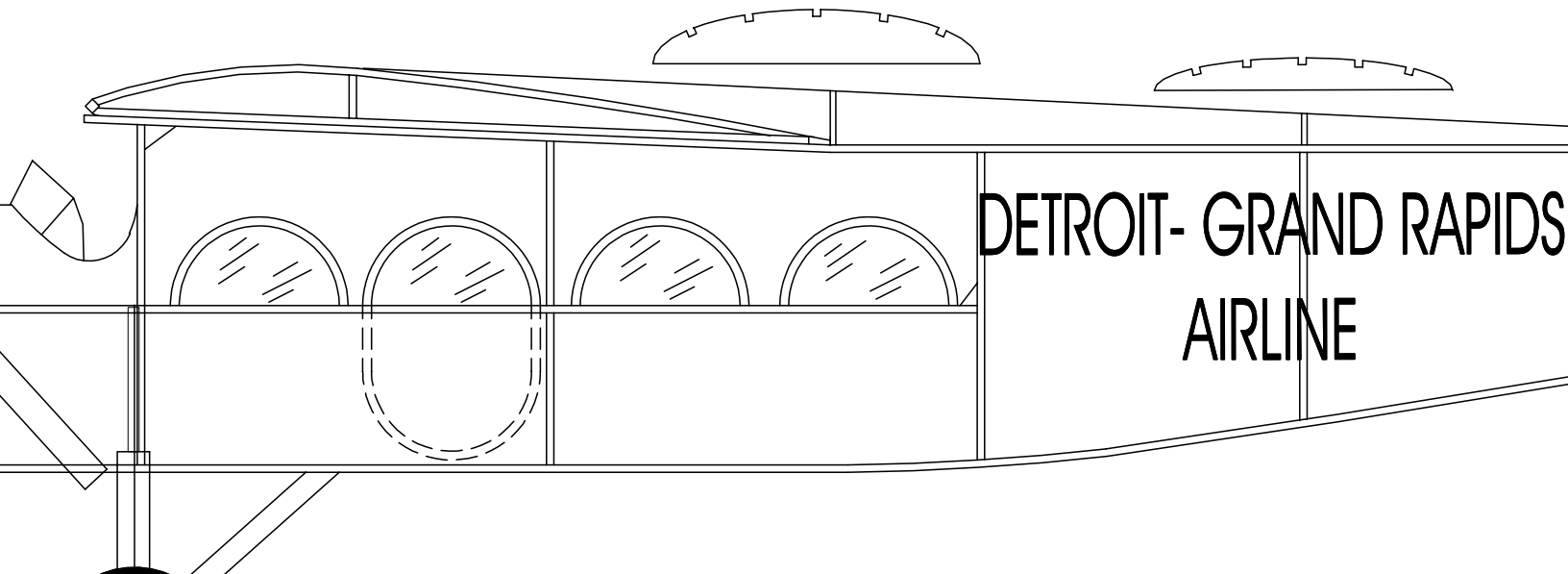


1 inch Dihedral each tip

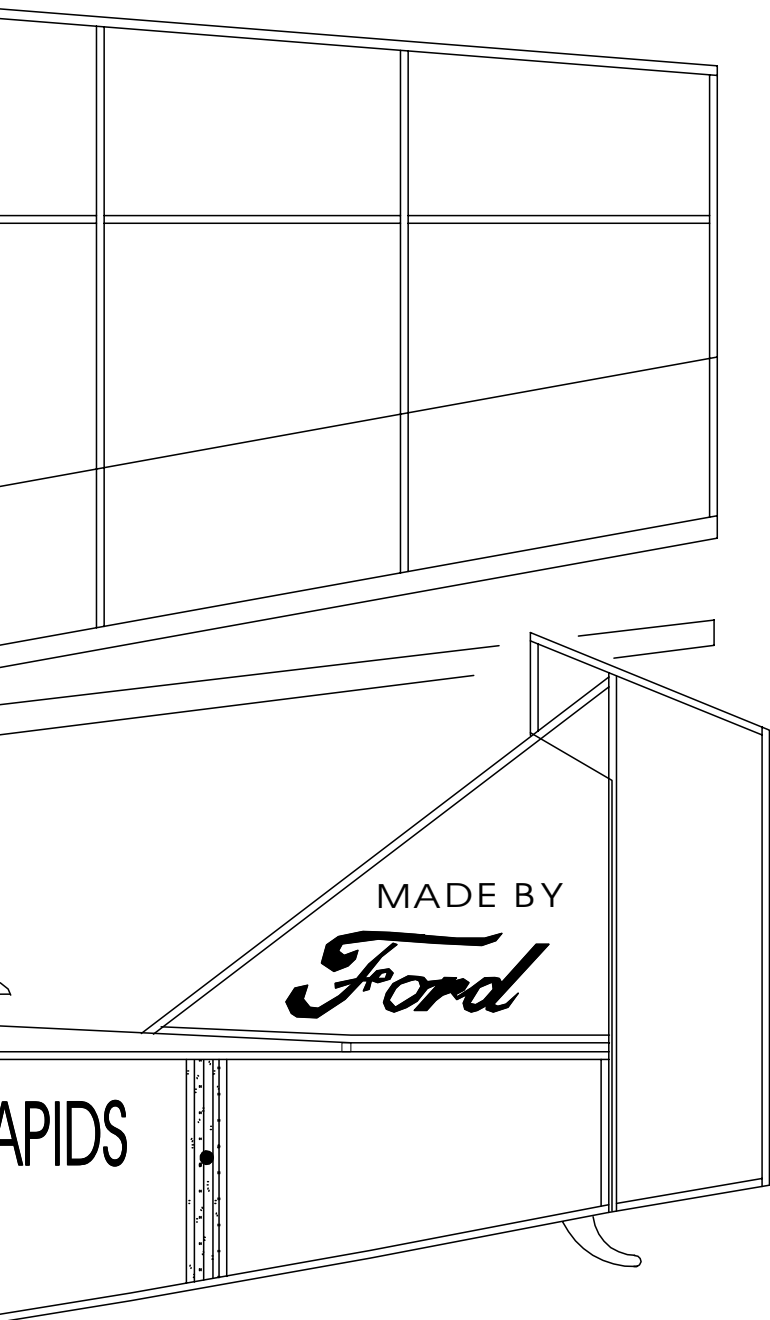




WING AREA 63 sq. inches



DETROIT- GRAND RAPIDS
AIRLINE

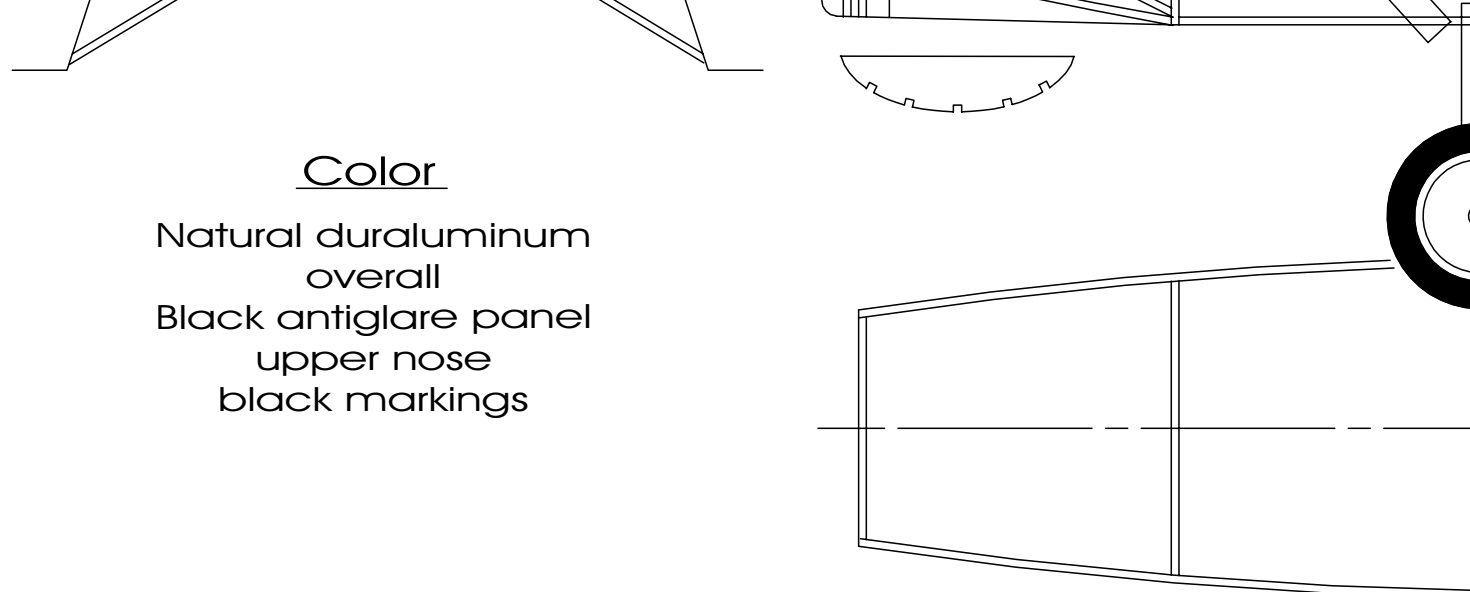
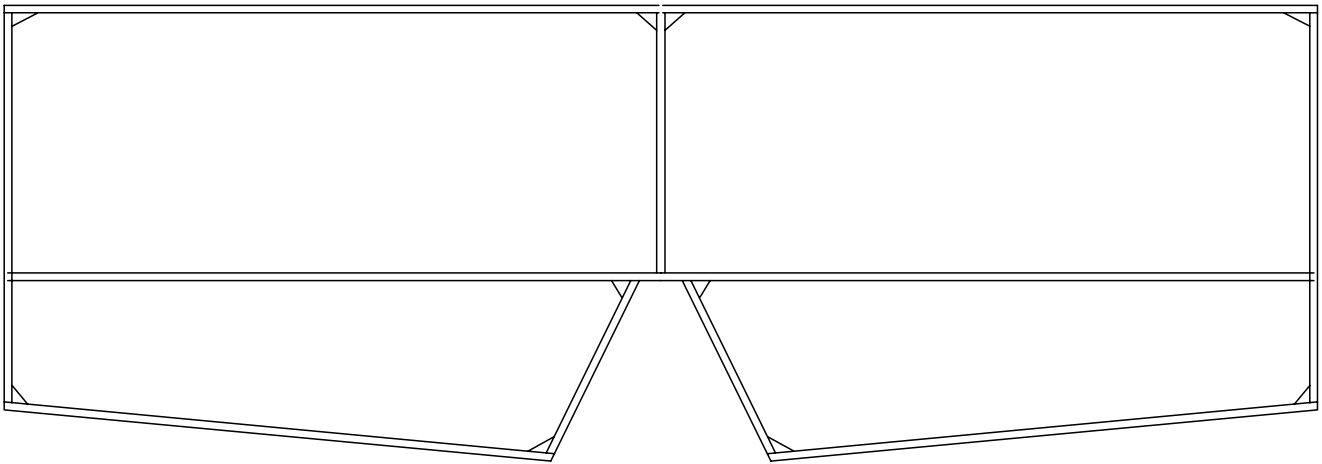


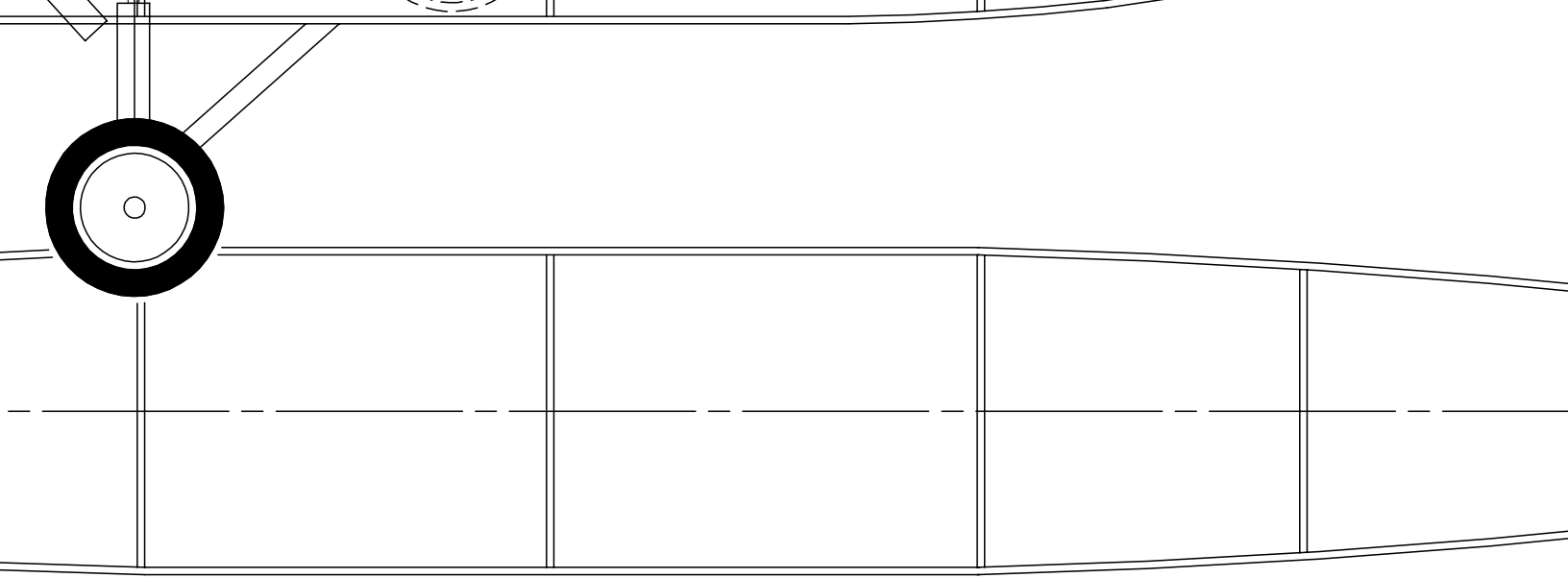
Scale References

Model Airplane News
November 1977

Color

Natural duraluminum
overall
Black antiglare panel
upper nose
black markings





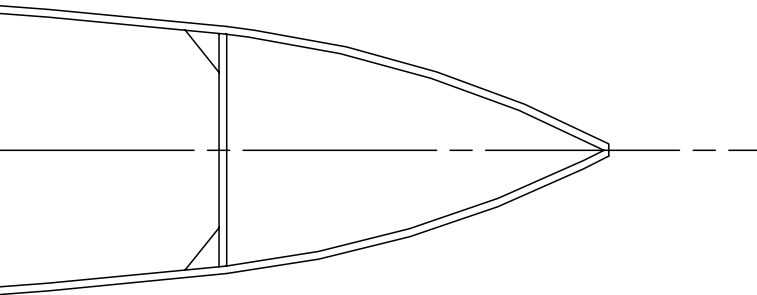
Notes

8" Dia. 9 1/2" Pitch Prop
Fly left for Indoors
Washout 1/8" Right Wing Tip
3 Degs Downthrust
No Right or Left Thrust

MISS
(FORD) STC
Golden
18 1/2 Win
Stu W

Scale References

Model Airplane News
November 1977
Model Aviation
February 1987



MISS GRAND RAPIDS	
D) STOUT 2-AT TRANSPORT	
Golden Age Rubber Scale	
1/2 Wingspan	13.2 Grams
Stu Weckerly (10-9-93)	