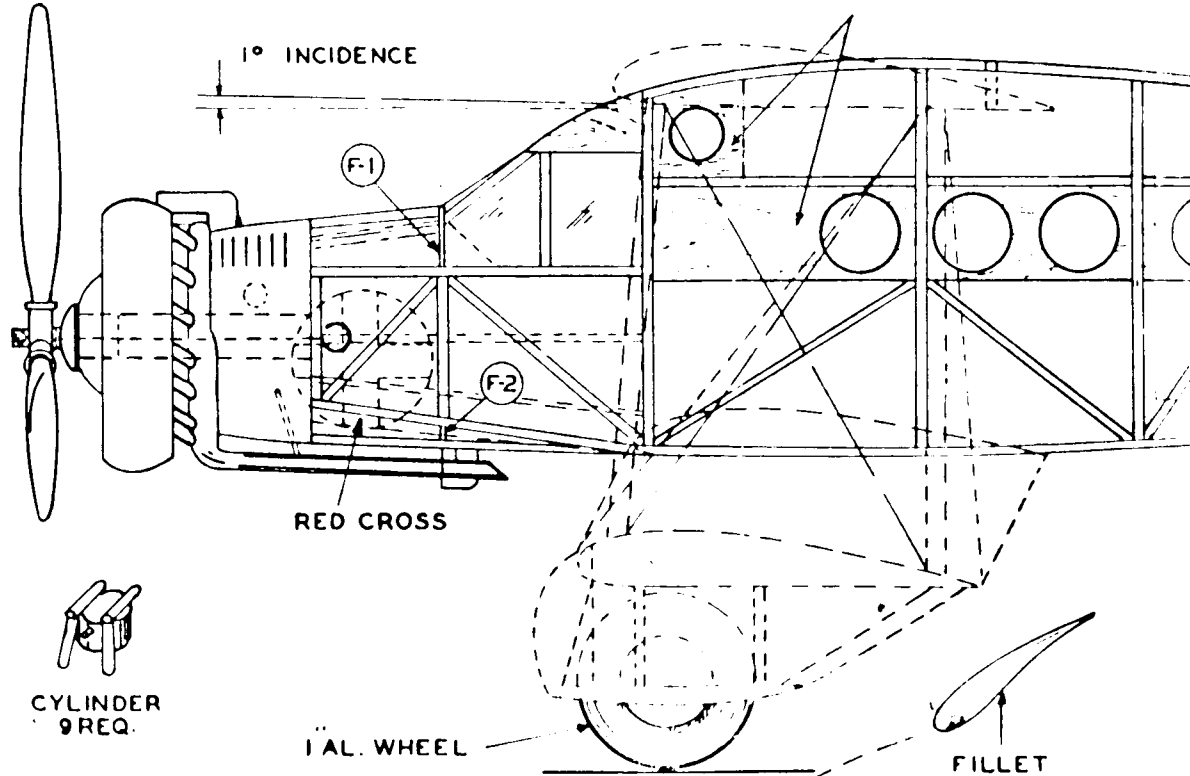


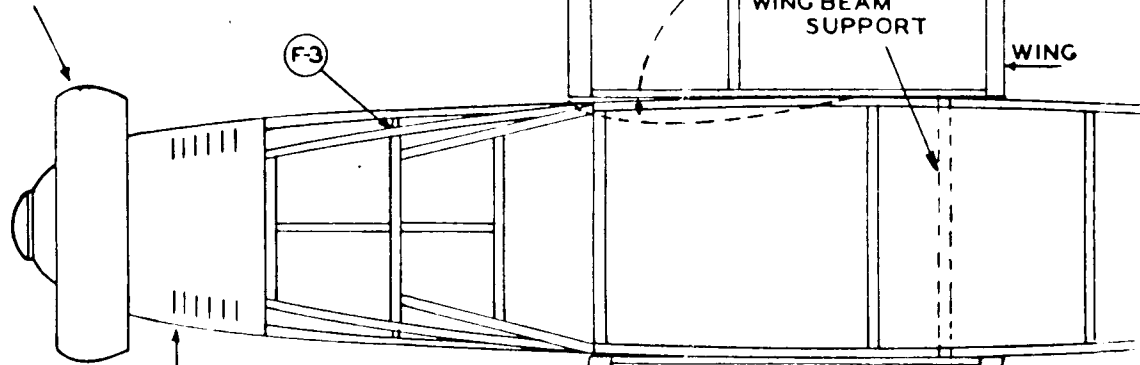
DOPE INSTRUMENT
TO FORMER 1



1/32" SHEET Balsa
CEMENT FLUSH WITH
SIDES AFTER WINDOWS
HAVE BEEN CUT



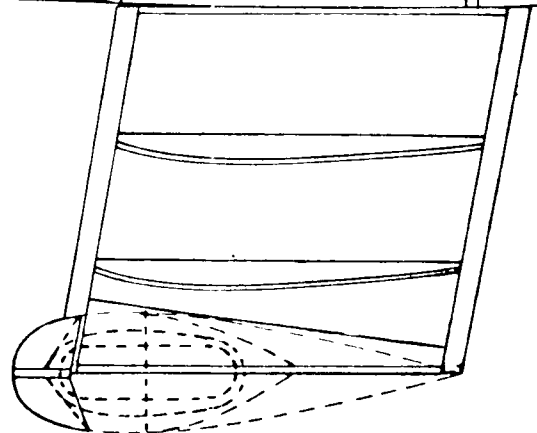
Balsa OR AL. COWL

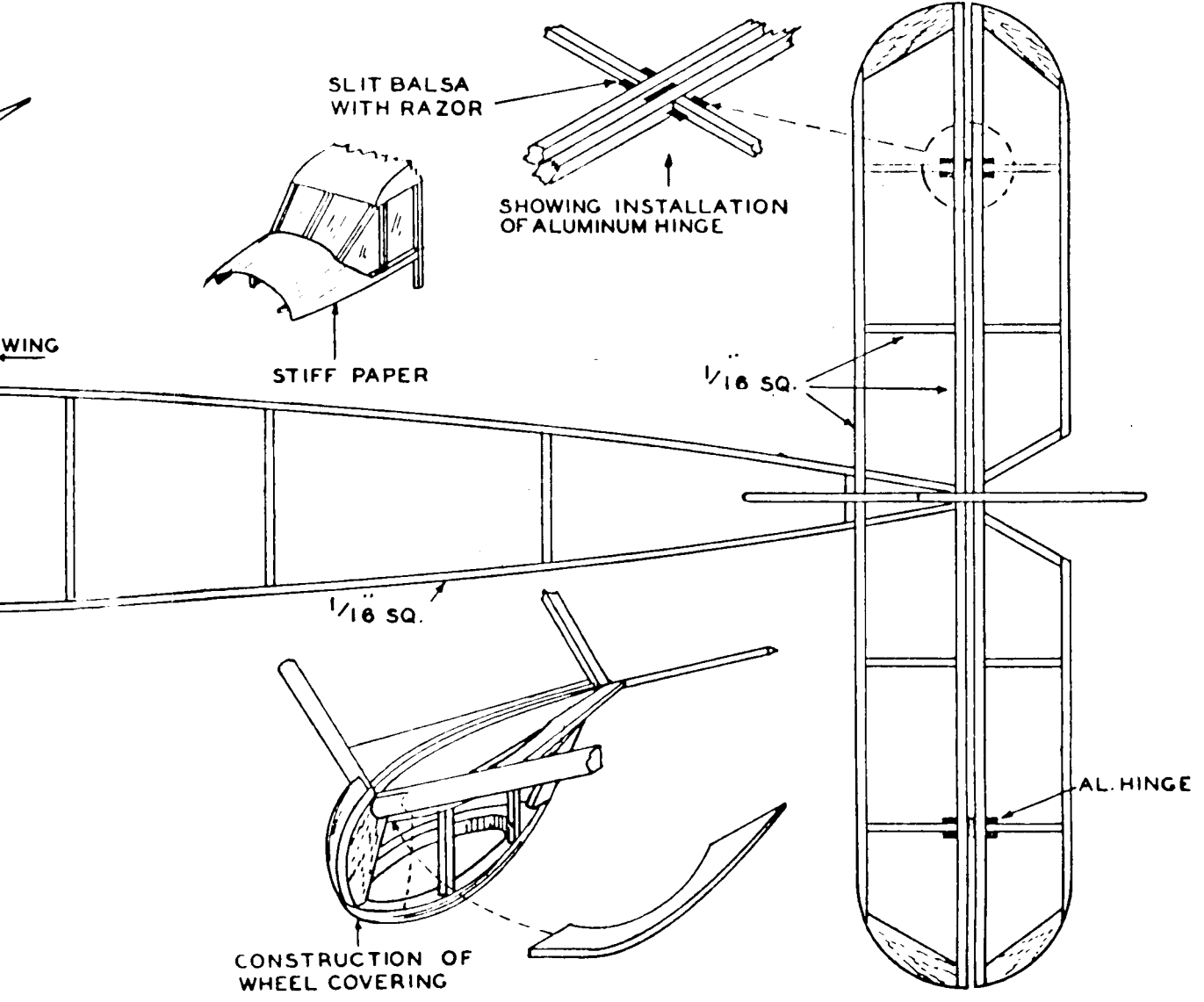
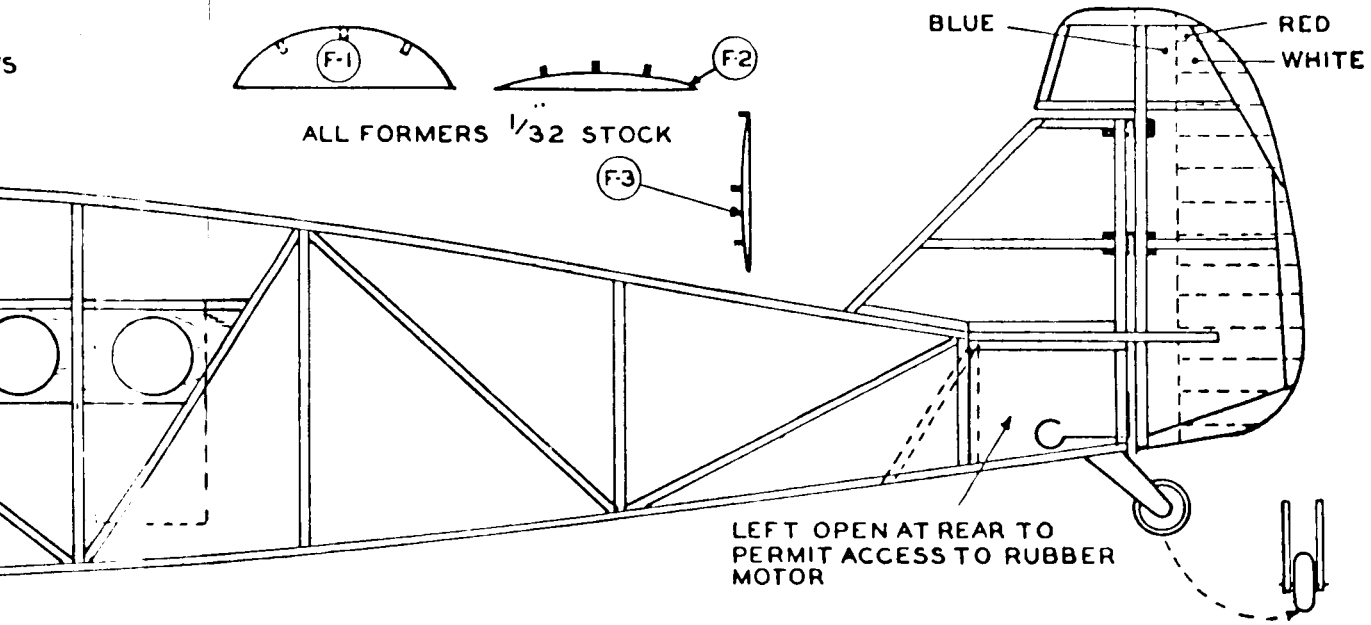


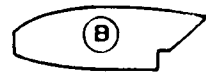
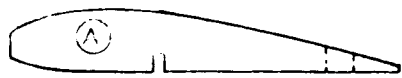
SOLID Balsa BLOCK
CARVED TO SIZE

BELLANCA AIRCruiser

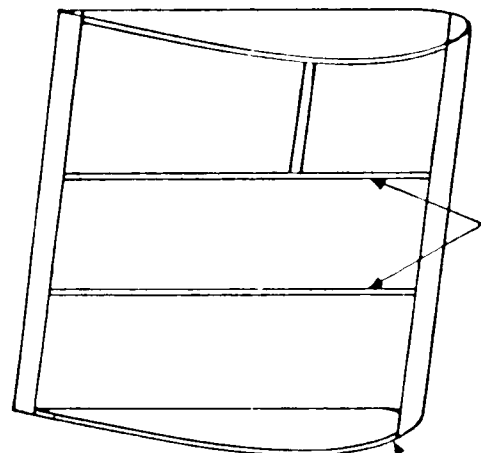
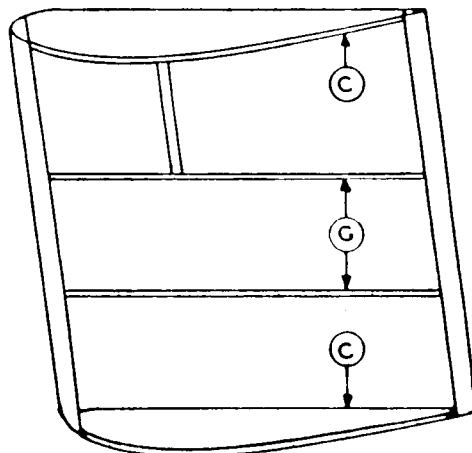
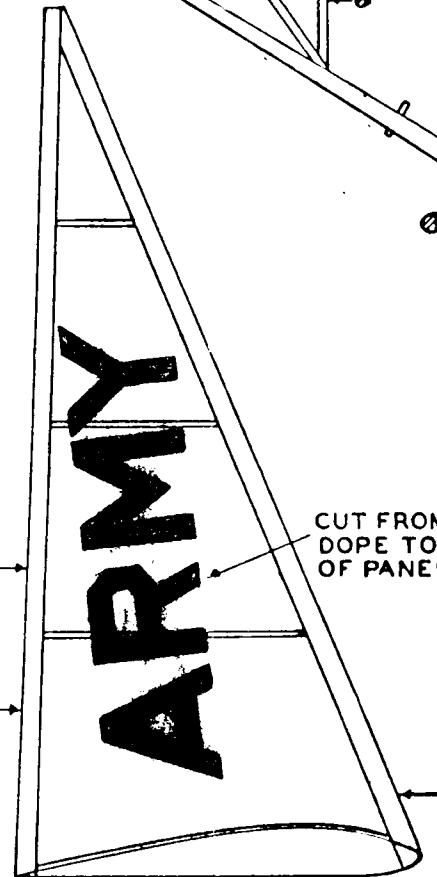
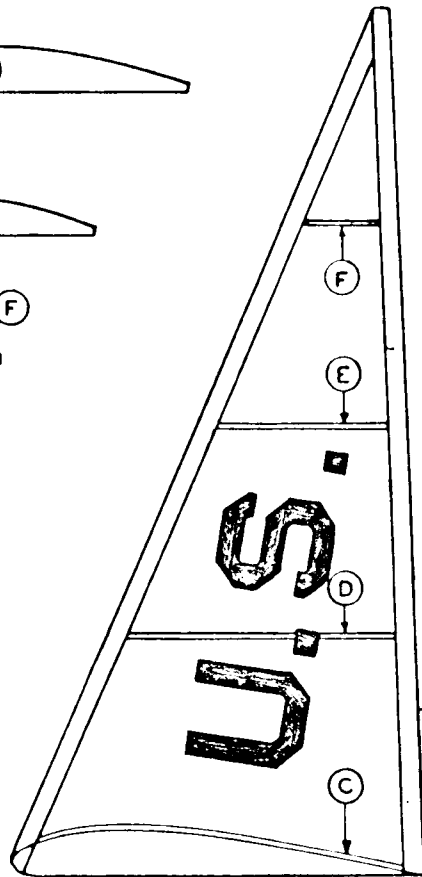
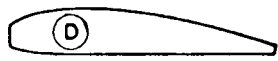
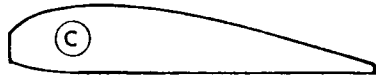
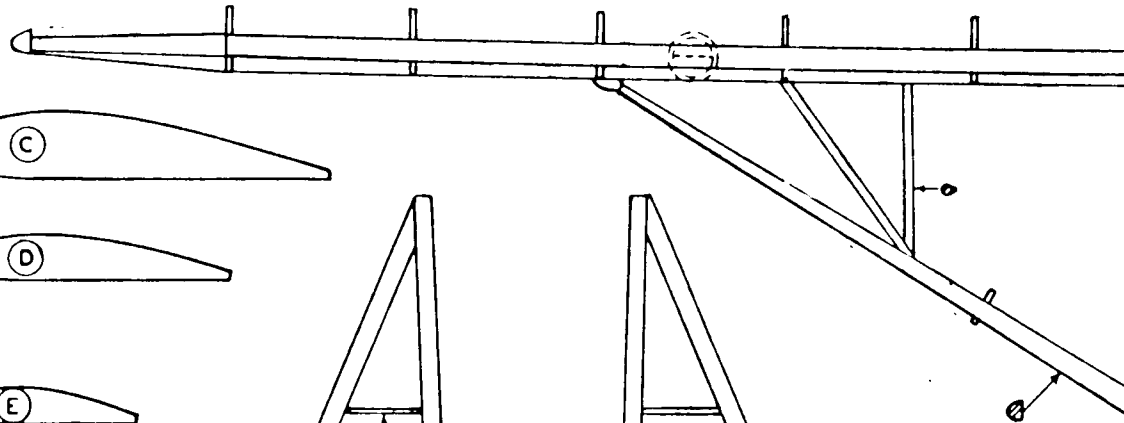
SCALE 5/16" 1'-0"





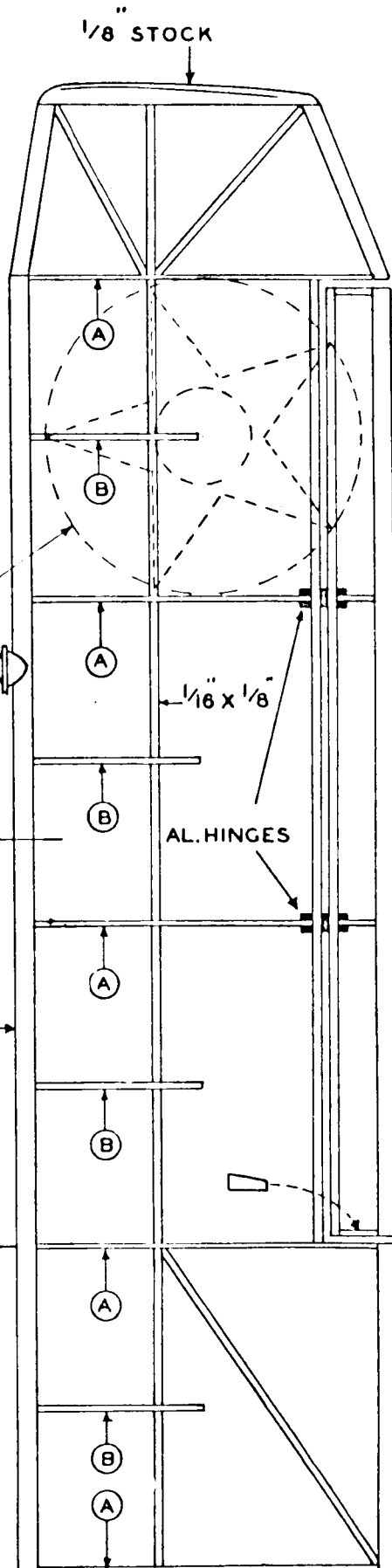
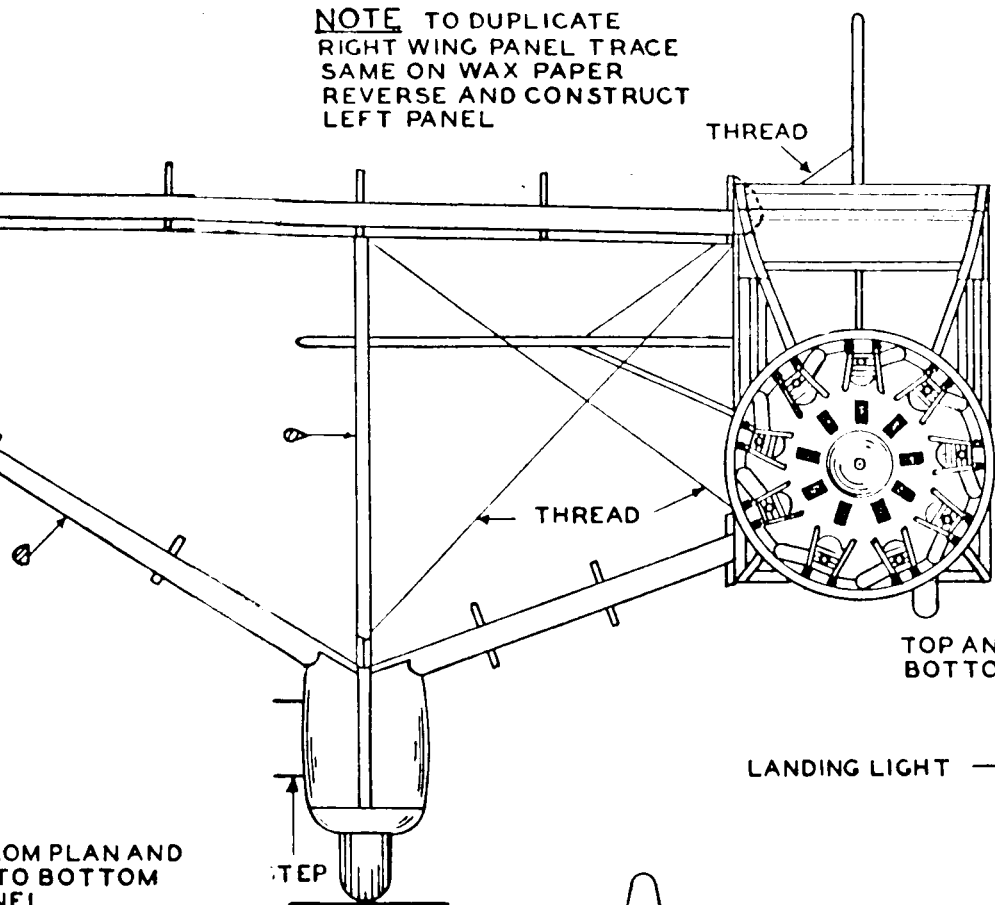


ALL RIBS 1/32" STOCK



NOTE CEMENT RIBS ON ANGLE AS SHOWN

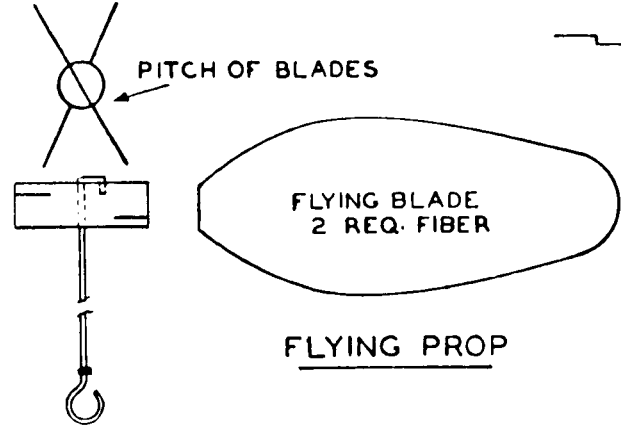
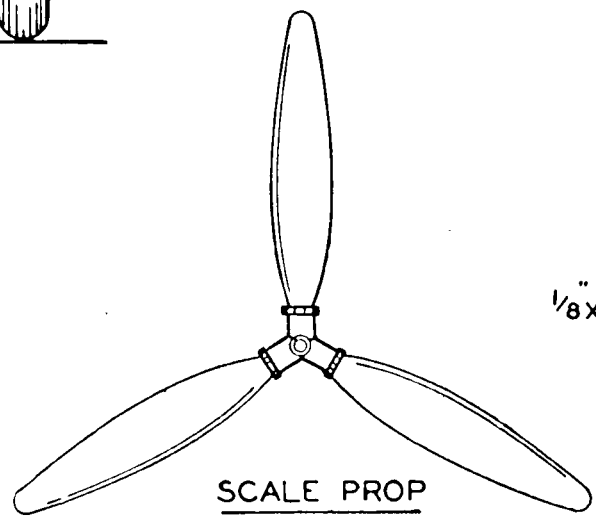
NOTE TO DUPLICATE
RIGHT WING PANEL TRACE
SAME ON WAX PAPER
REVERSE AND CONSTRUCT
LEFT PANEL



FROM PLAN AND
TO BOTTOM
PANEL

1/8" x 1/8"

UPRIGHT



1/8" x 1/8"

1/16" x 1/8"

AL. HINGES