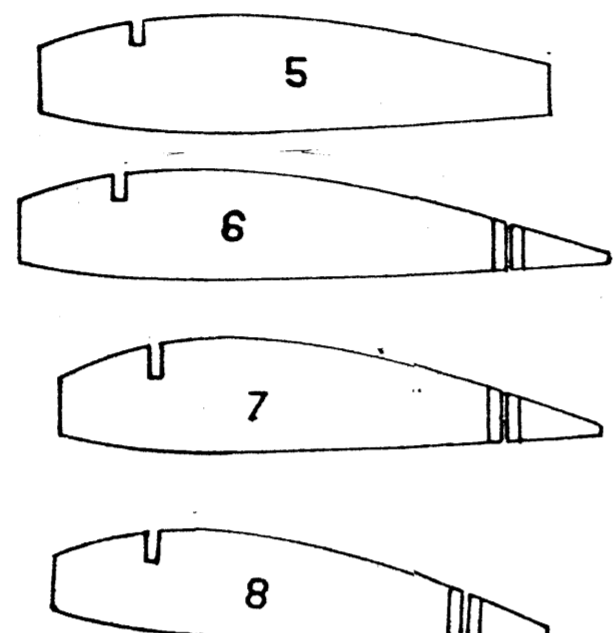
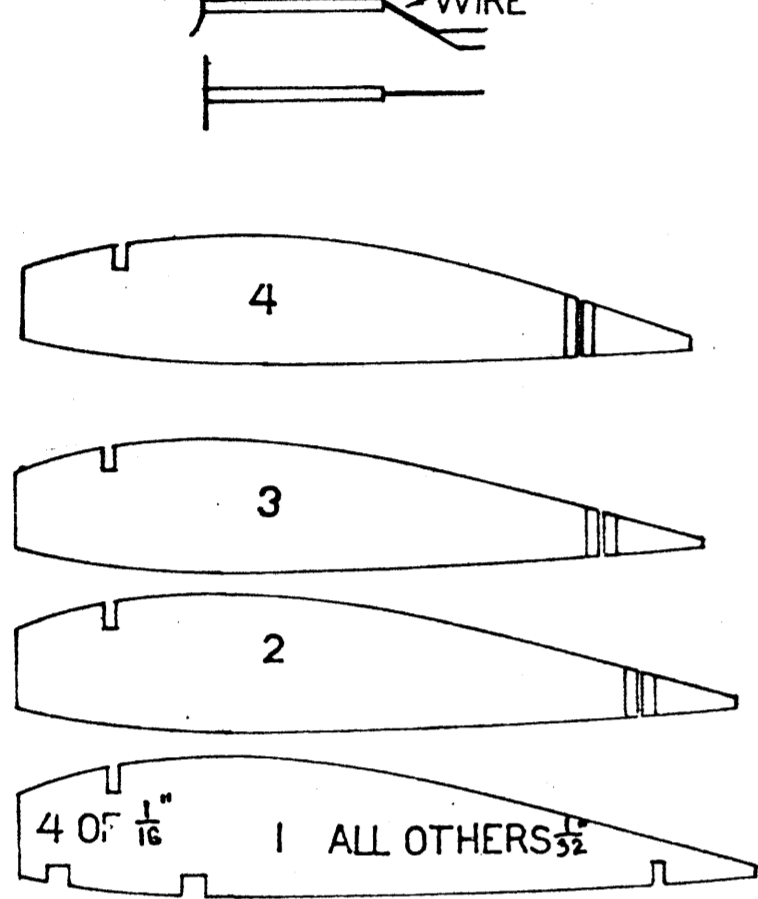


GREEN

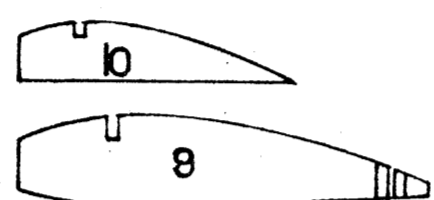
PITOT TUBE

WIRE

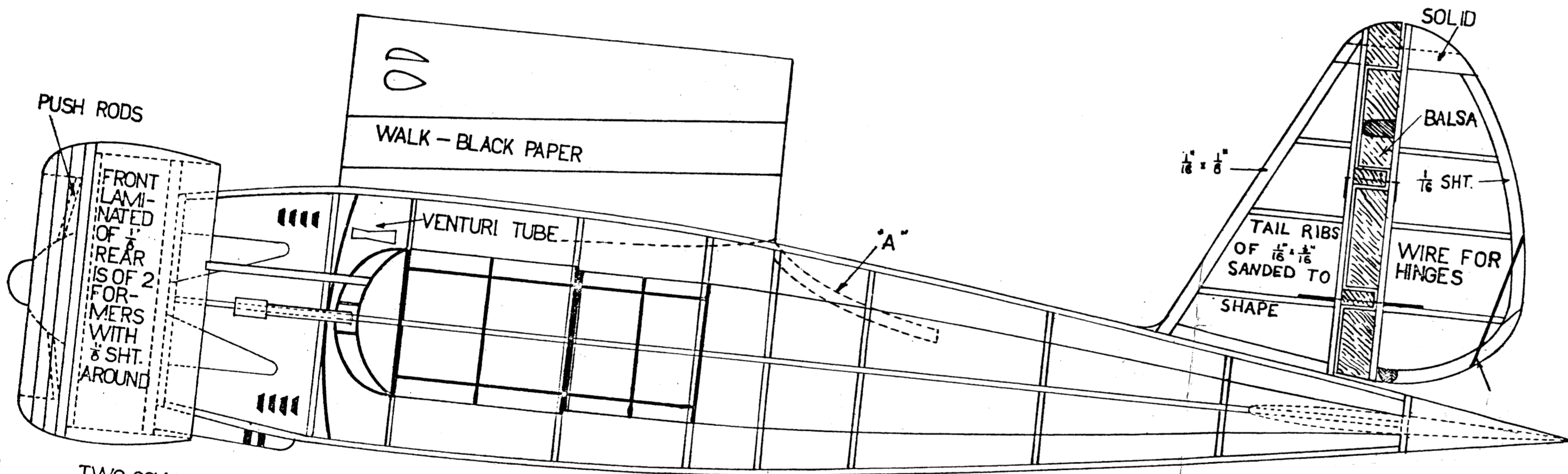
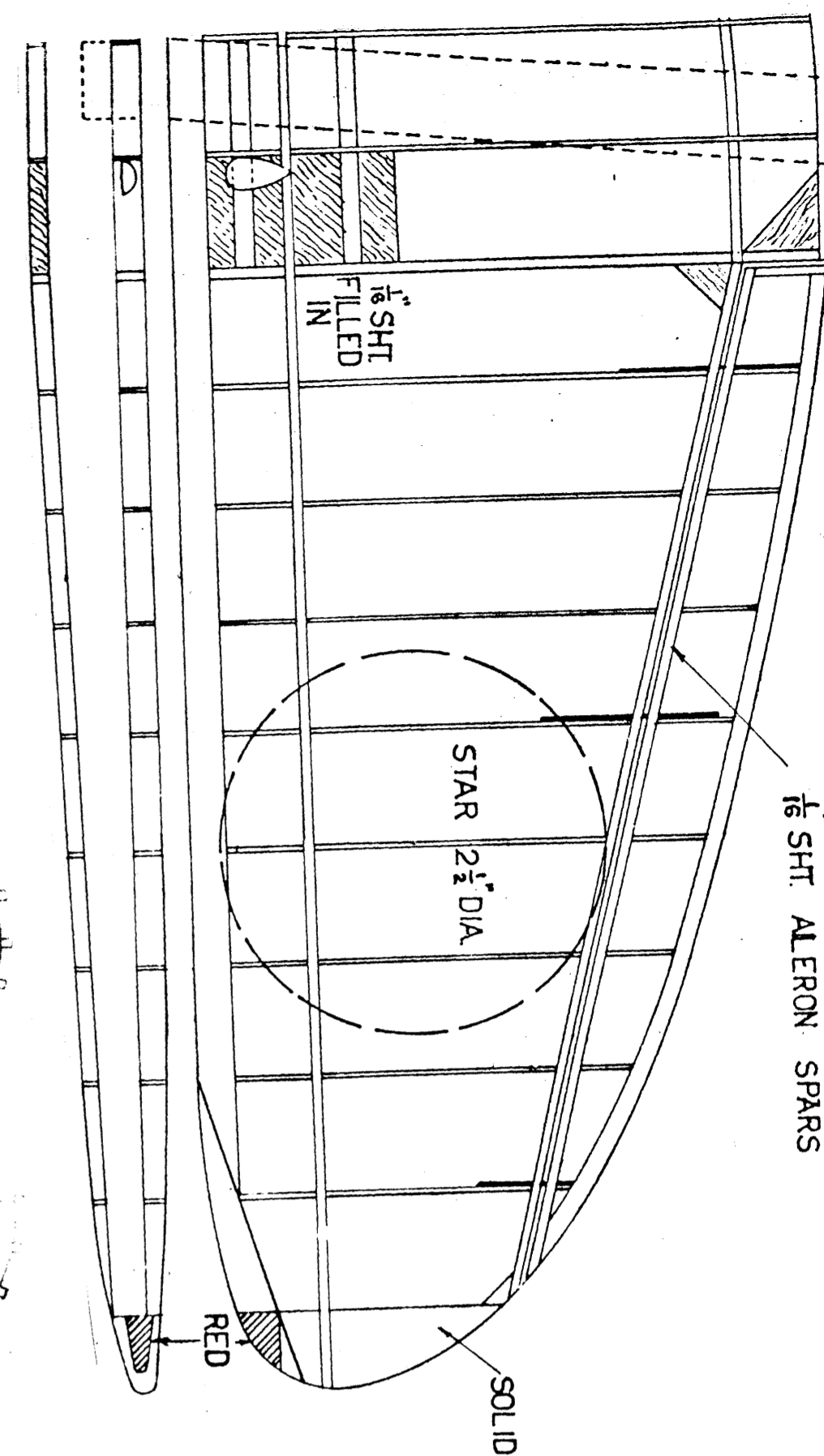
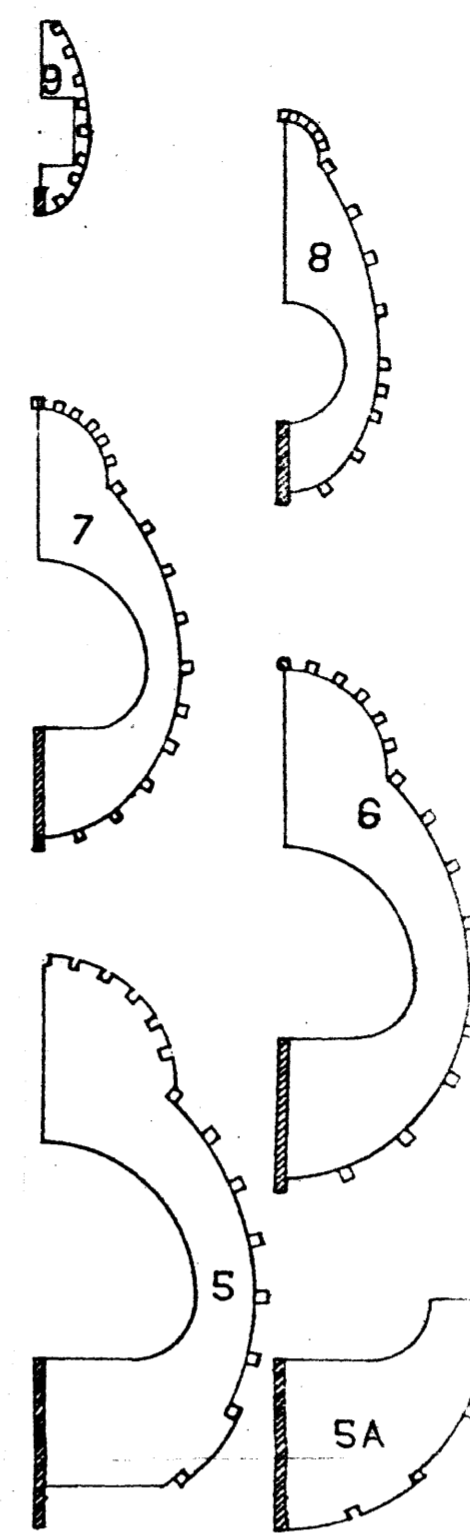
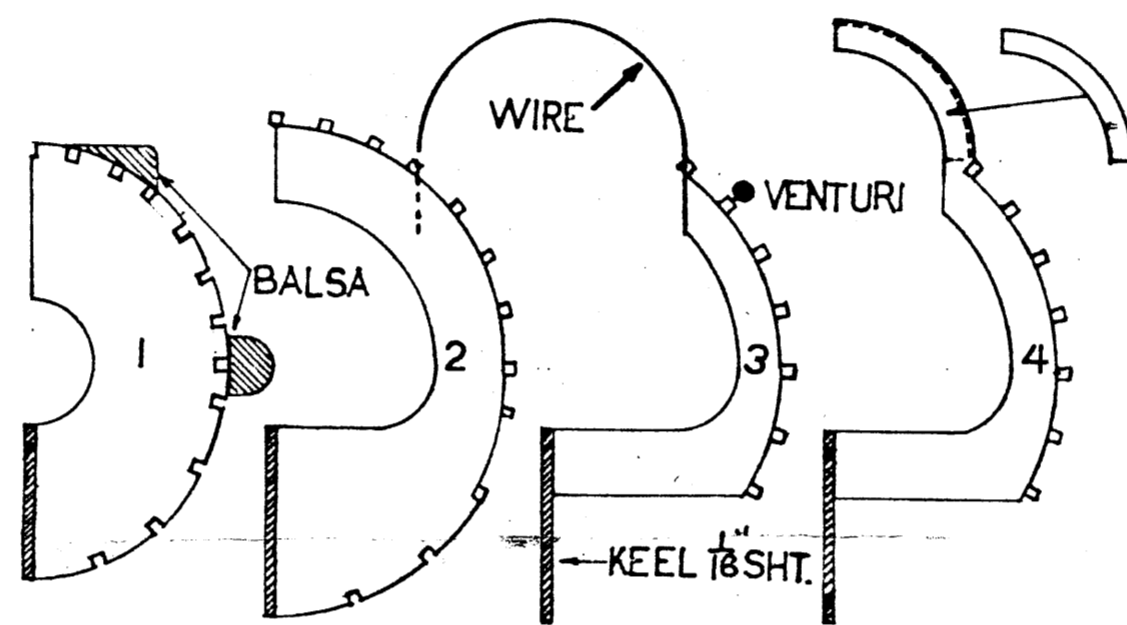


ELEVATOR SPAR

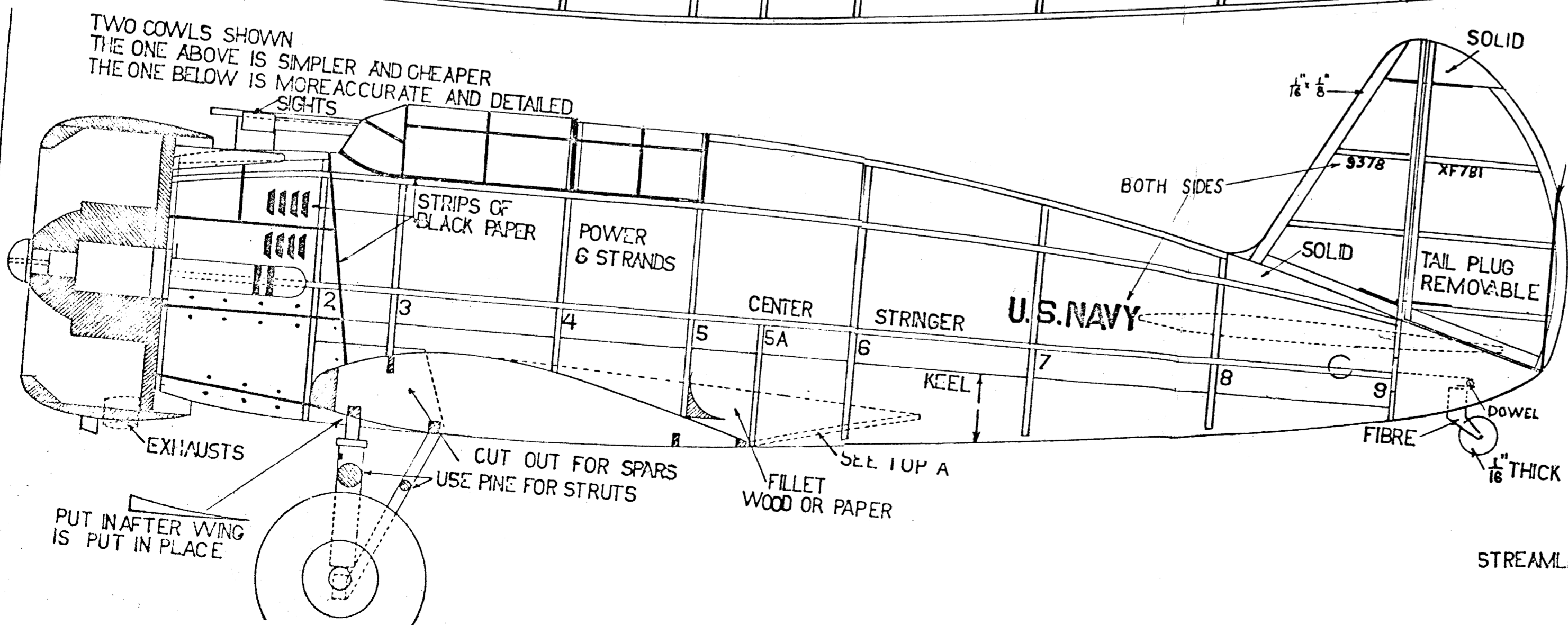
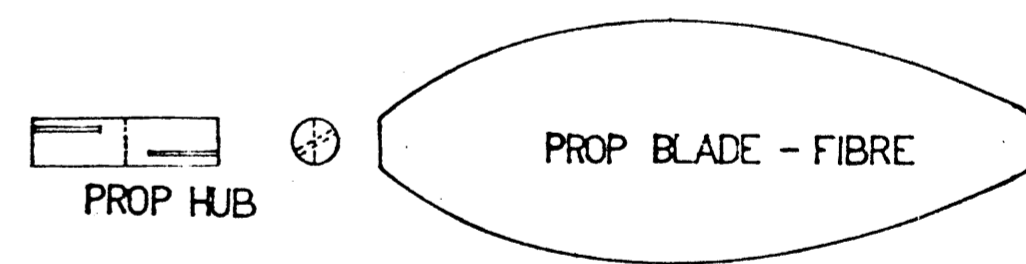
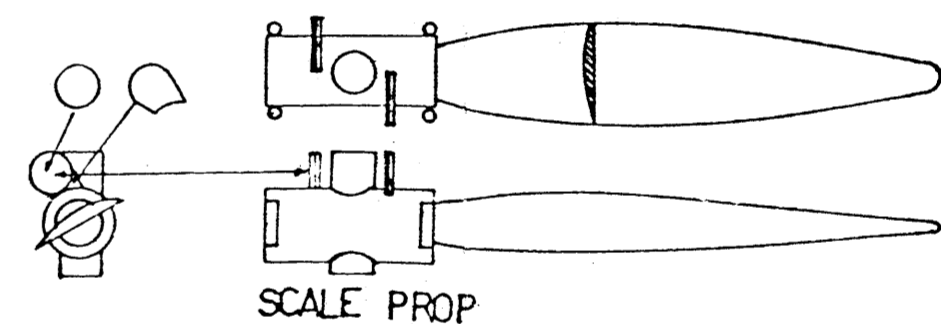
RUDDER SPAR



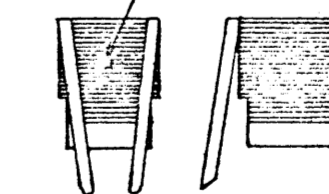
STRINGERS BUTT AGAINST LAST FORMER



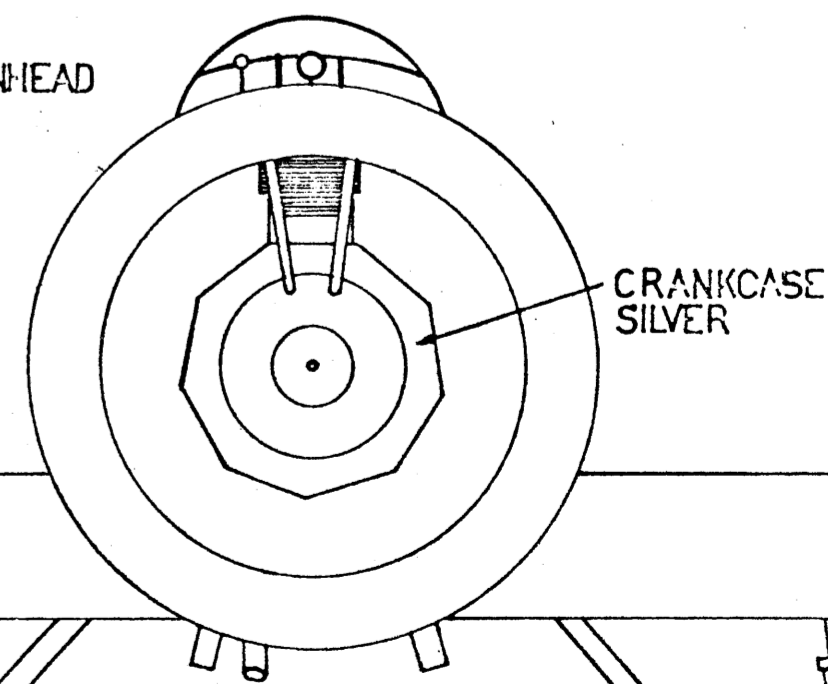
COLOR SCHEME
YELLOW - TOP OF WINGS
ELEVATOR
GRAY - REST OF PLANE
DETAILS - BLACK



SPARK PLUG OF PINHEAD



CYLINDER NO VALVE *ROCKER BOXES AS THEY CAN NOT BE SEEN



BOEING XF7B1

SF-7 1/2" SCALE
HERBERT MARKWIESE
2144 N. PALMER ST
MILWAUKEE WIS.

PLUG - STREAMLINE WHEELS