

REFERENCE
 AMER. AIR. MOD.
 NOV. 1971
 AIRPOWER JAN.
 1972

WING RIBS

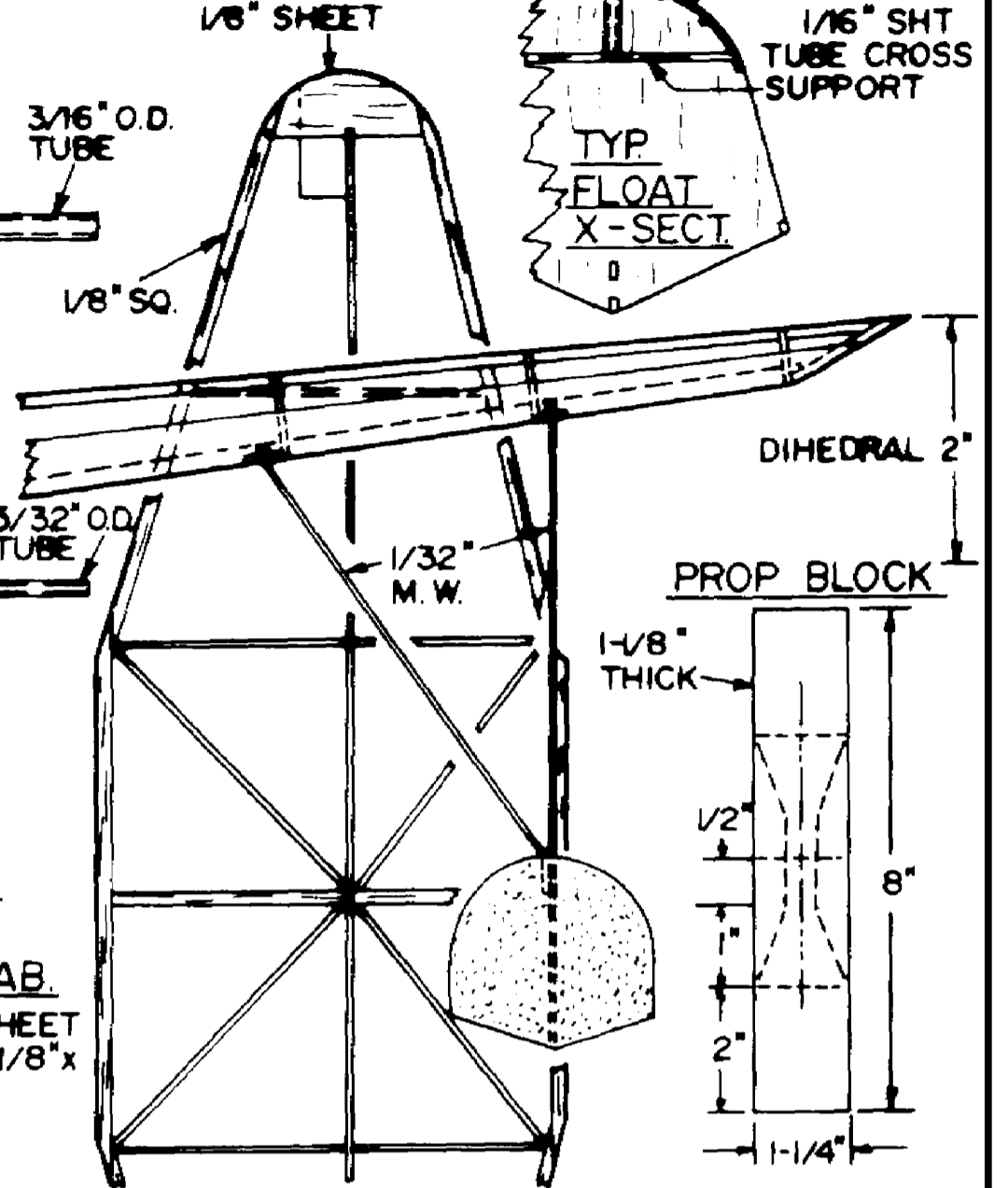
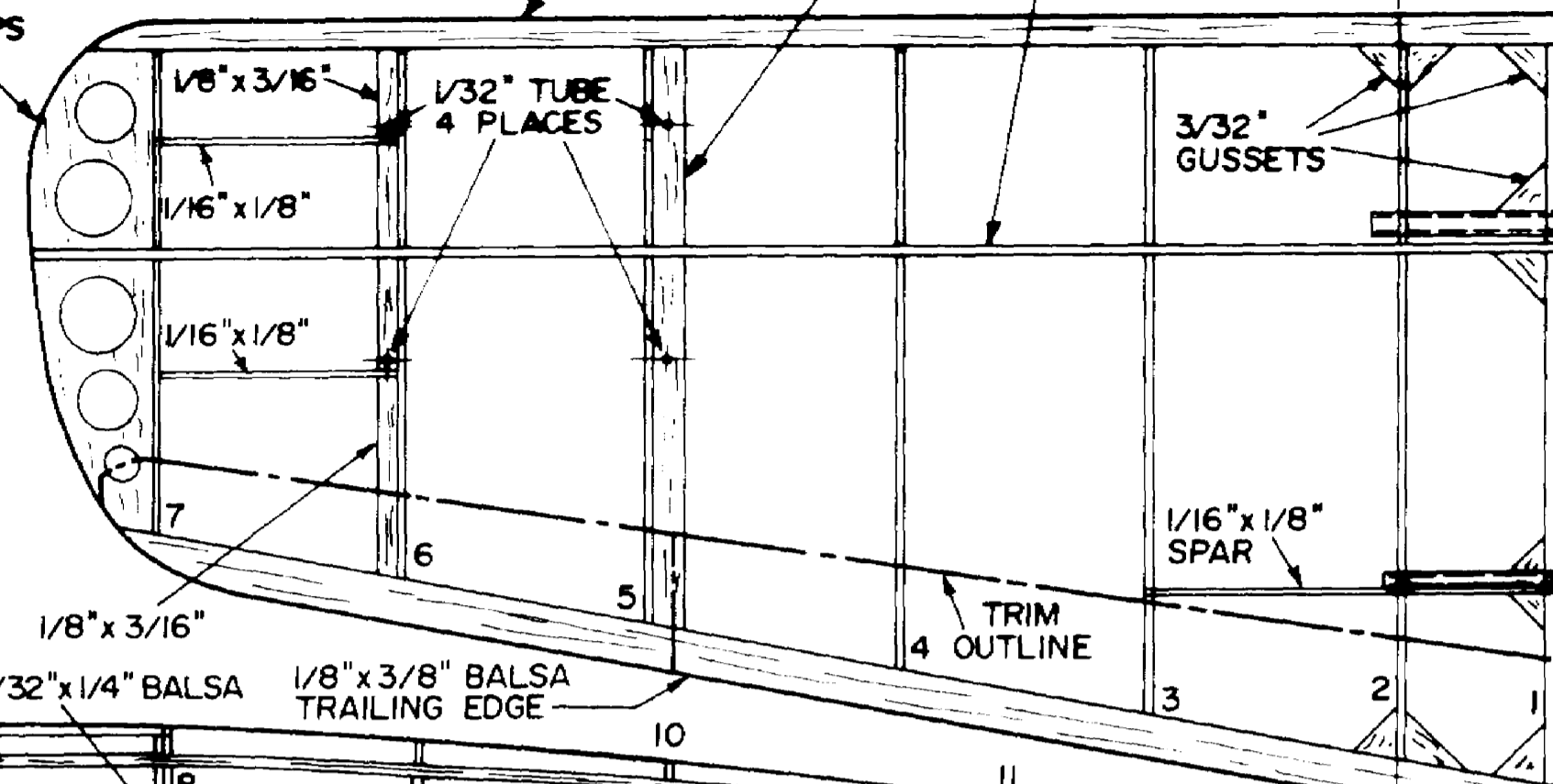
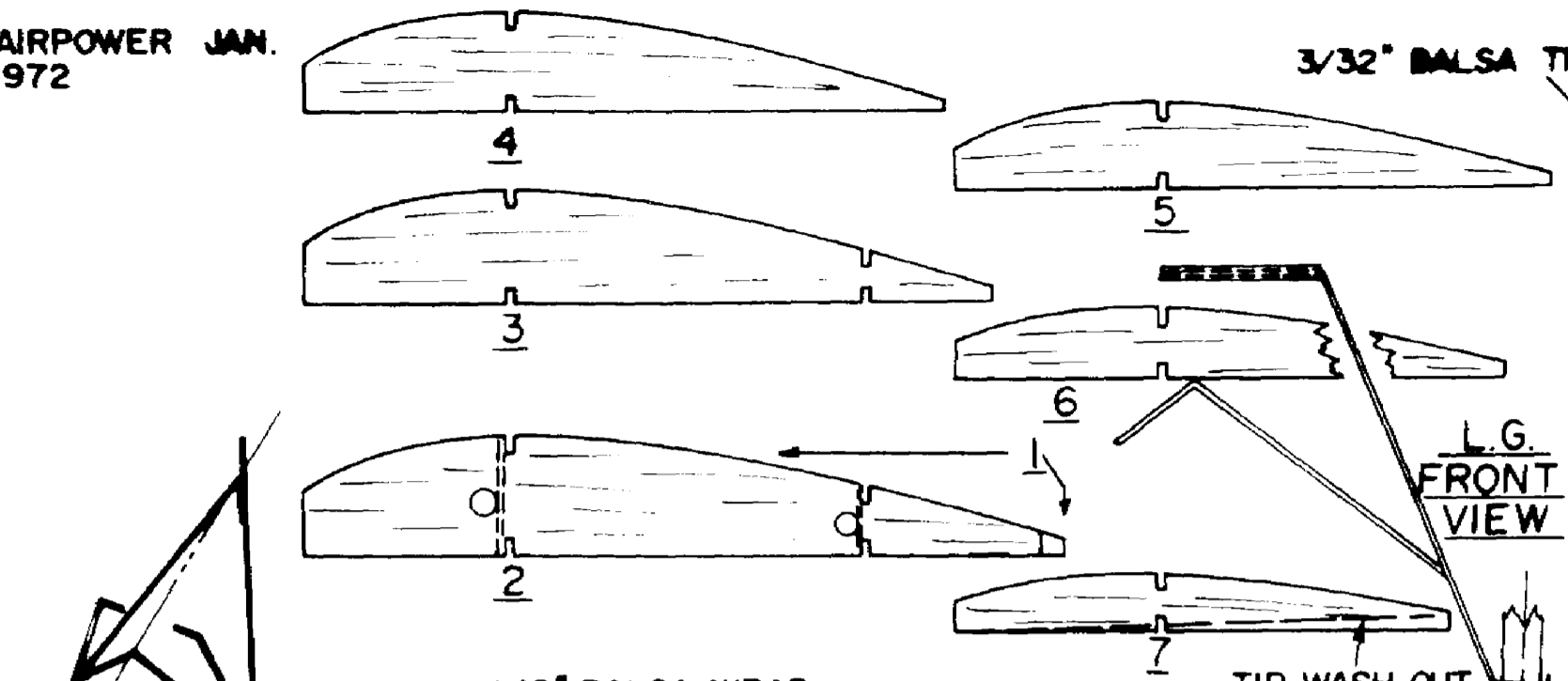
1 & 2 ARE 3/32" Balsa Sheet
 3-7 ARE 1/16" Balsa Sheet

1/4" x 1/2" Balsa
 LEADING EDGE
 TAPER TO 1/4"

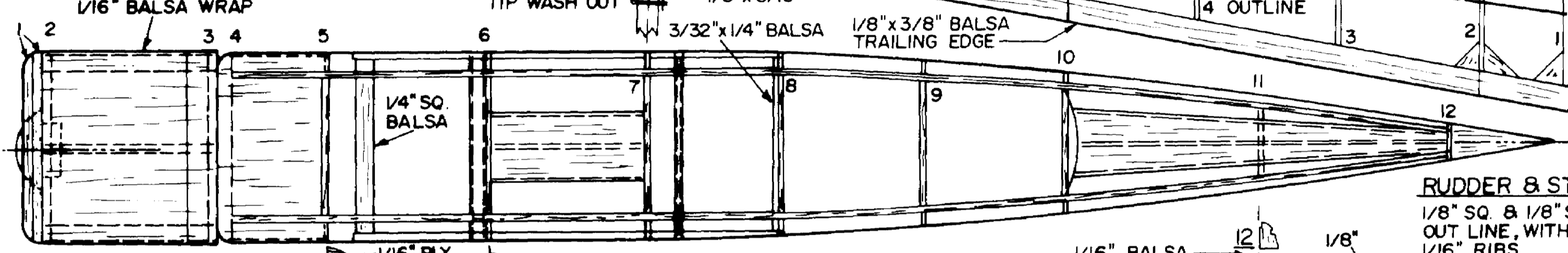
1/16" x 1/8"
 WING SPAR
 TOP & BOTTOM

DHEDRAL BREAK

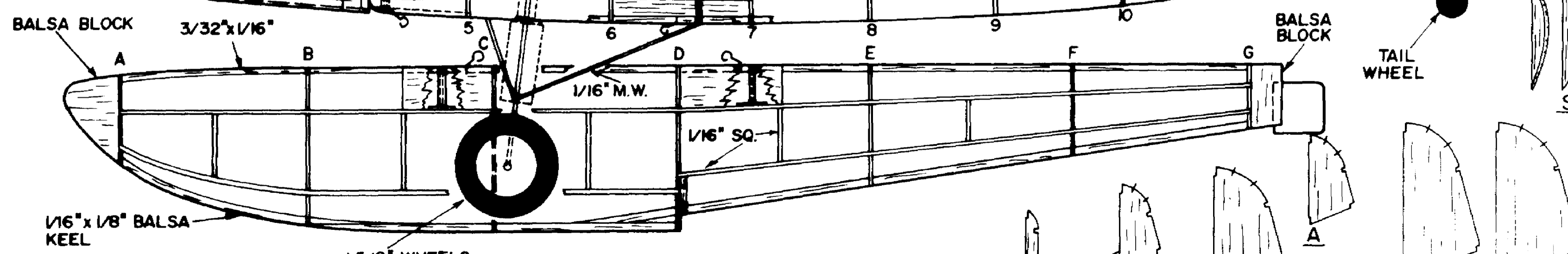
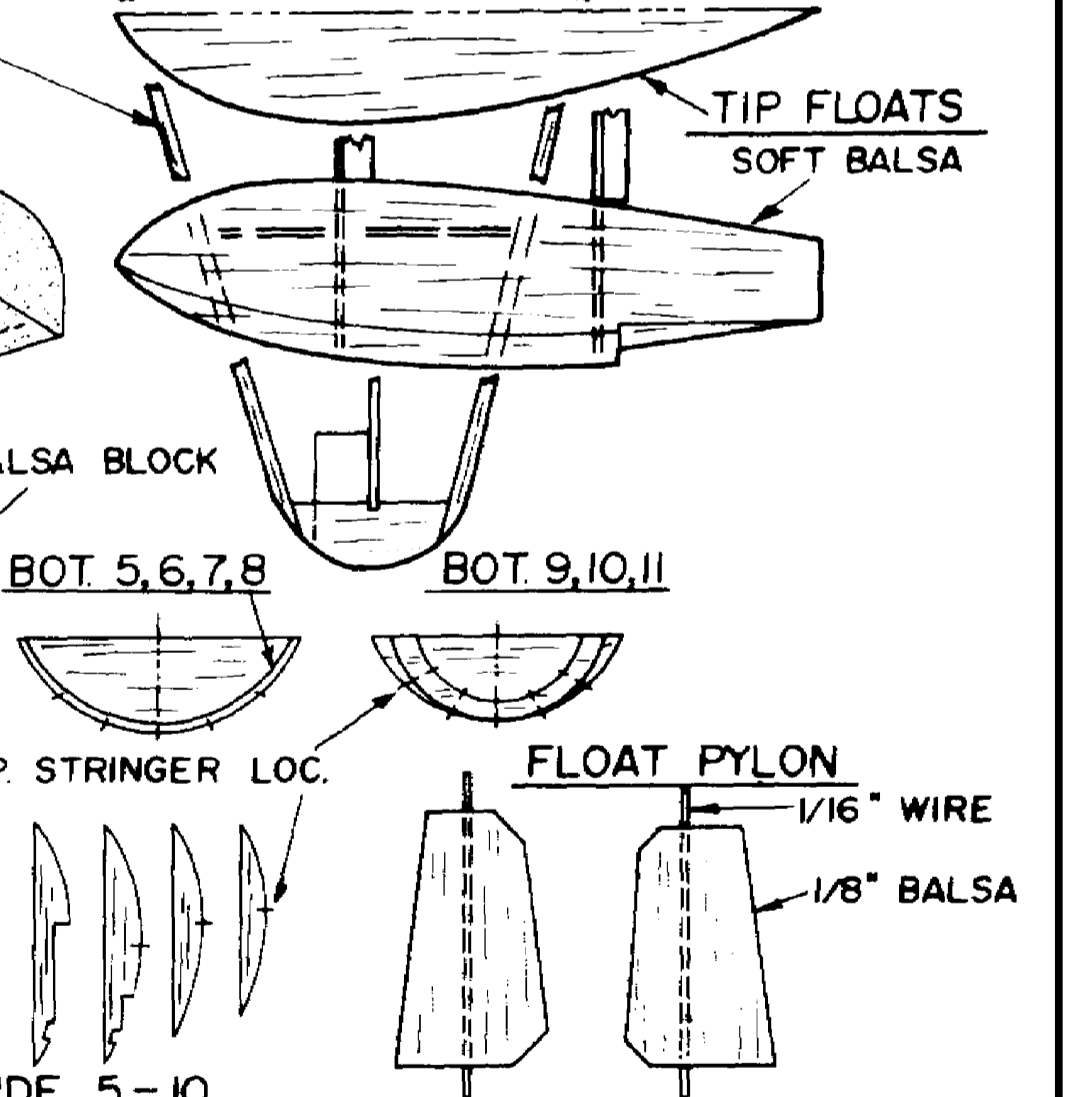
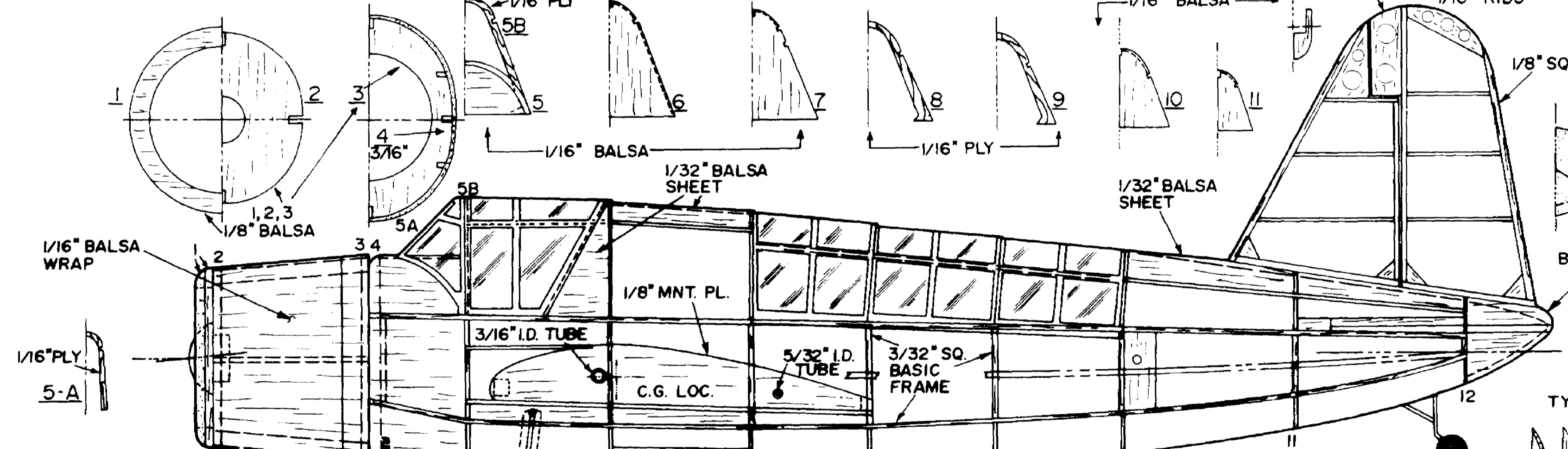
1/16" I.D. TUBE
 Balsa FILL
 1/16" SHT TUBE CROSS SUPPORT
 TYP. FLOAT X-SECT.



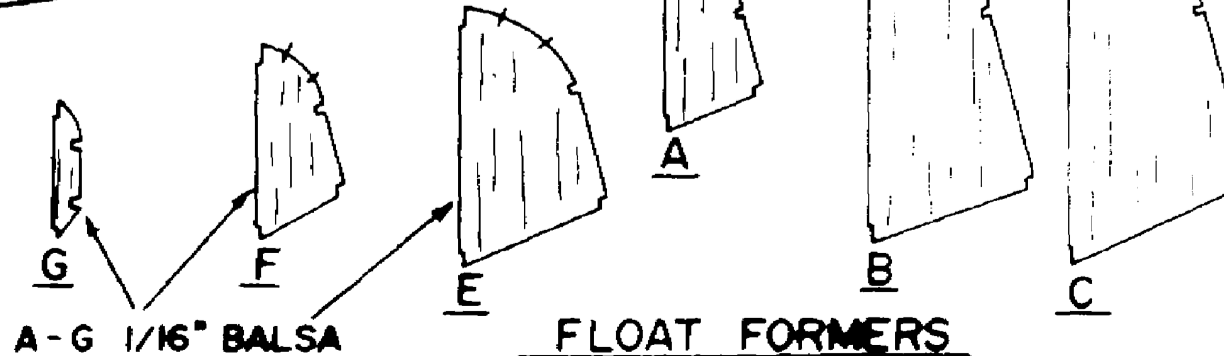
LANDING GEAR
 DETAIL



RUDDER & STAB.
 1/8" SQ. & 1/8" SHEET
 OUT LINE, WITH 1/8" x
 1/16" RIBS



Float Mounting Hooks
 1/32" WIRE (12 REQUIRED)



3/4 SCALE RUBBER-27" SPAN- 4 OZ
 FLYING MODELS
OS2U-1 KINGFISHER
 DESIGNED BY MIKE MIDKIFF
 TRACING BY JOE DEMARCO
 ALL RIGHTS RESERVED

