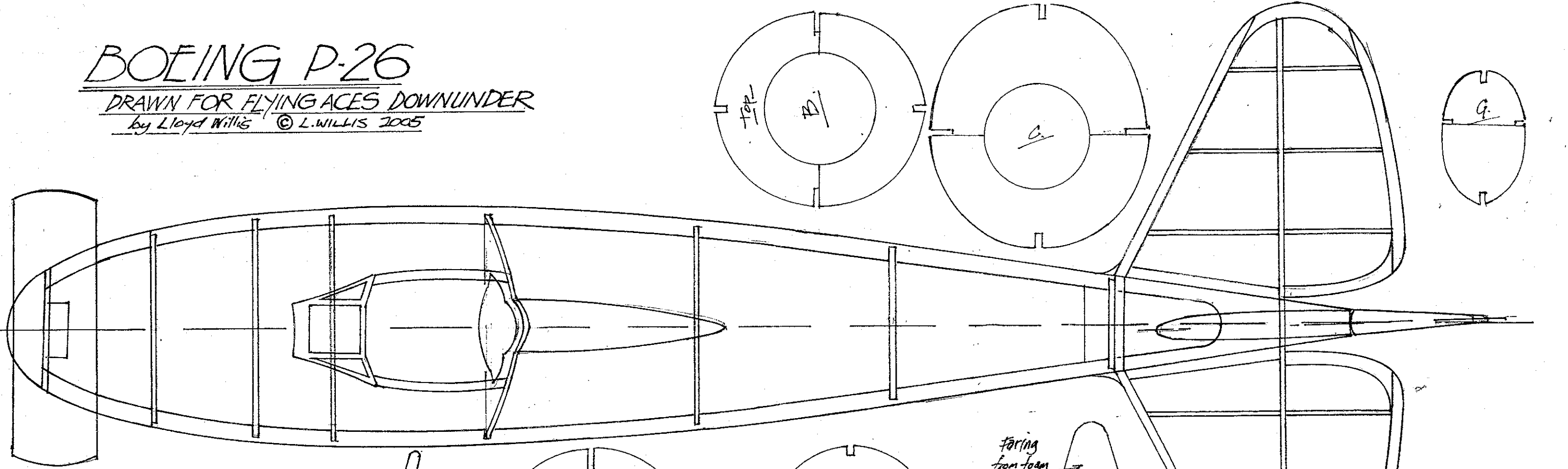


BOEING P-26

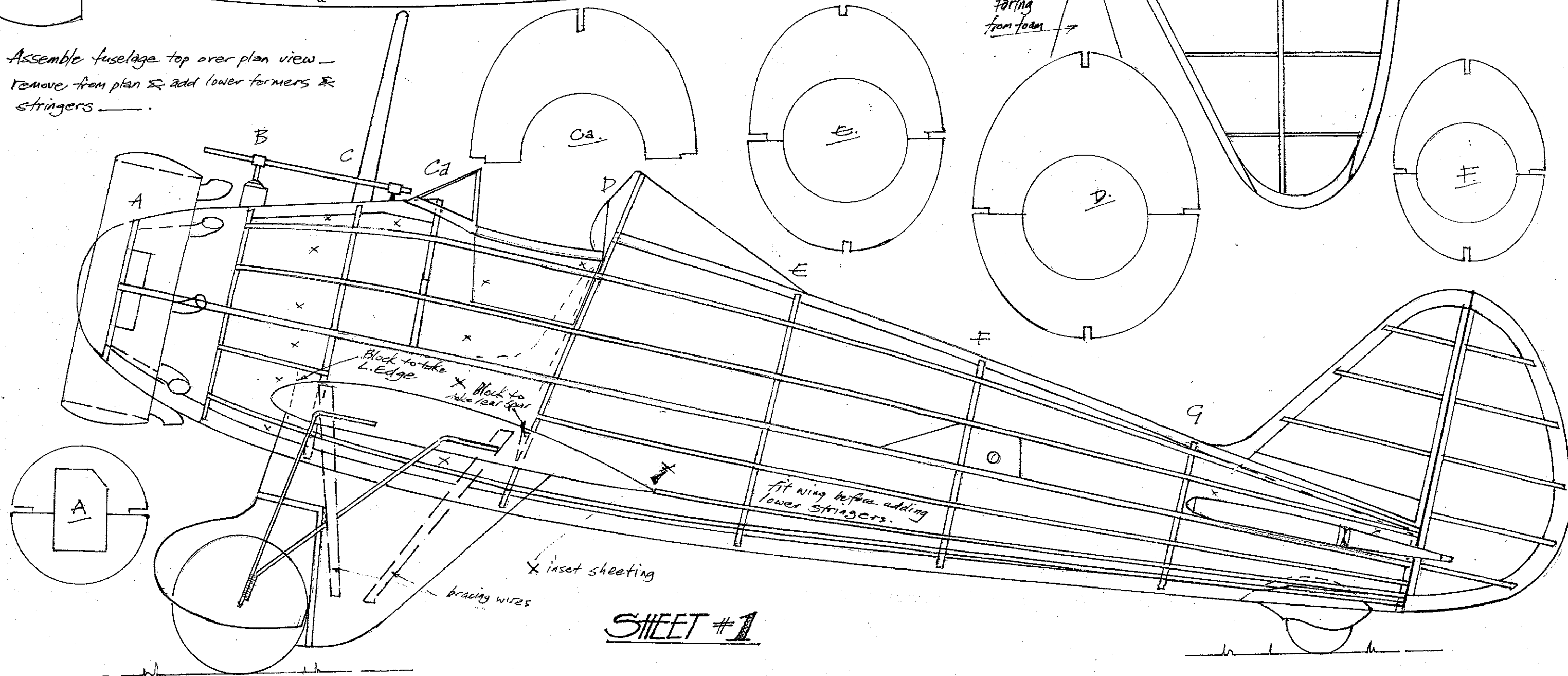
DRAWN FOR FLYING ACES DOWNUNDER

by Lloyd Willis © L. WILLIS 2005

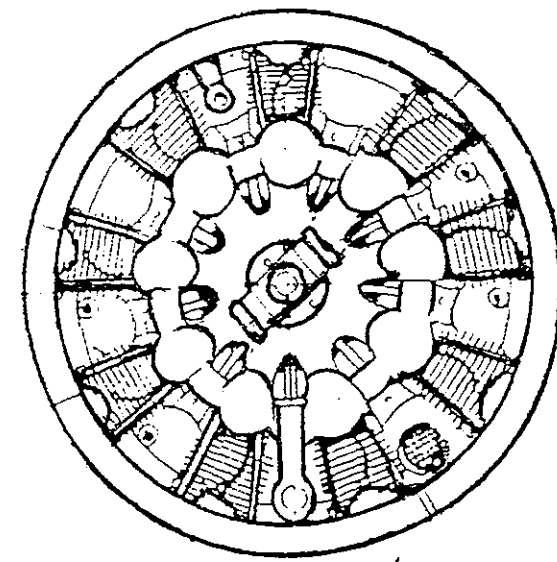
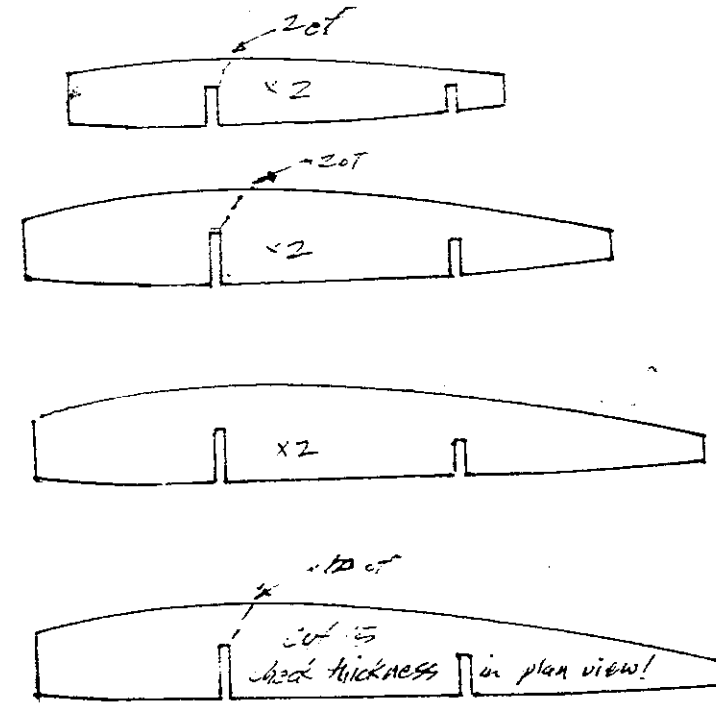
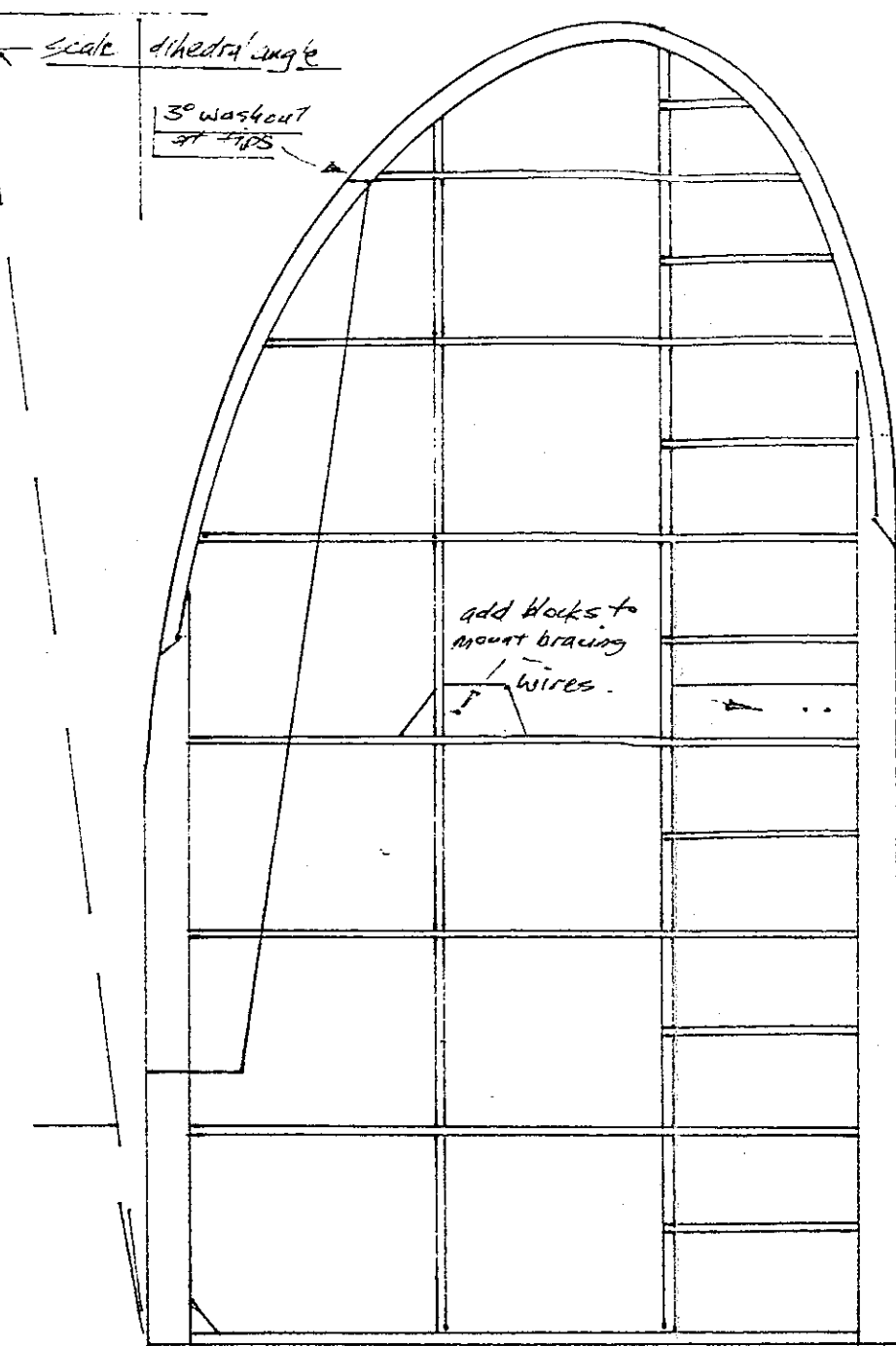
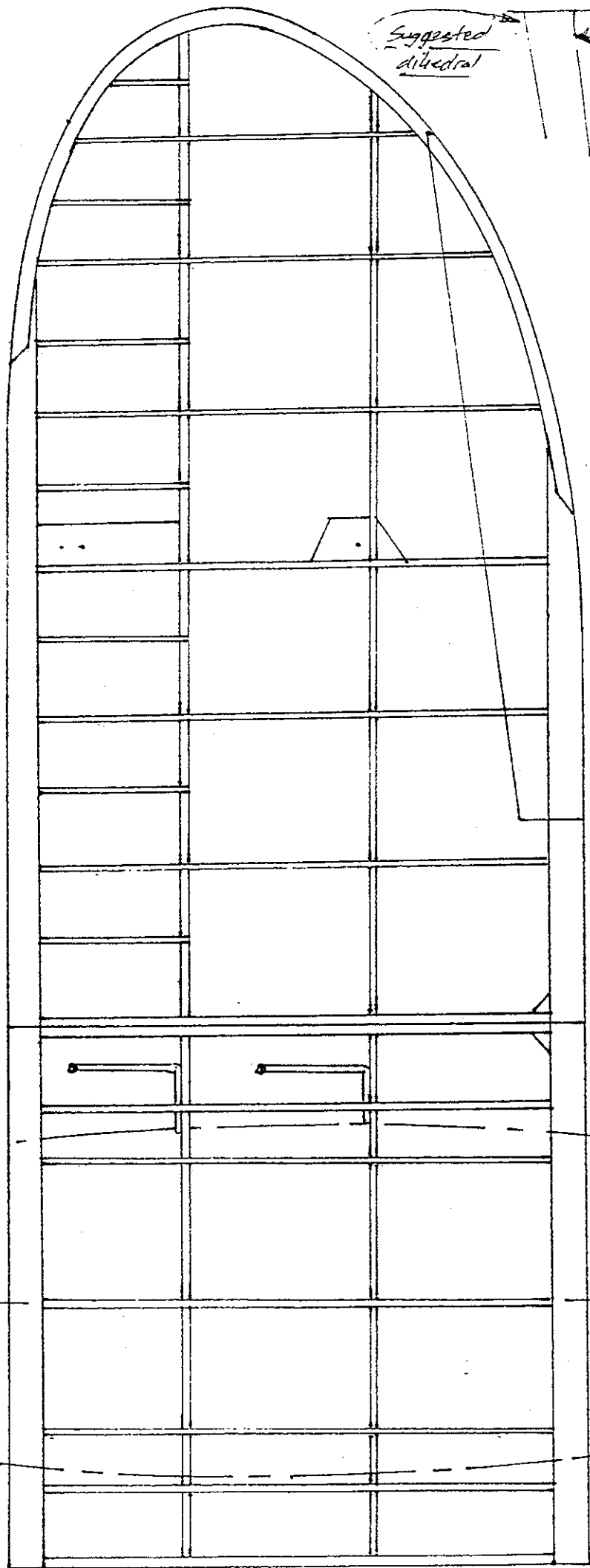


Assemble fuselage top over plan view —
 remove from plan & add lower formers &
 stringers —

faring
 from foam →



SHEET #1



Boeing P-26
SHEET 2

