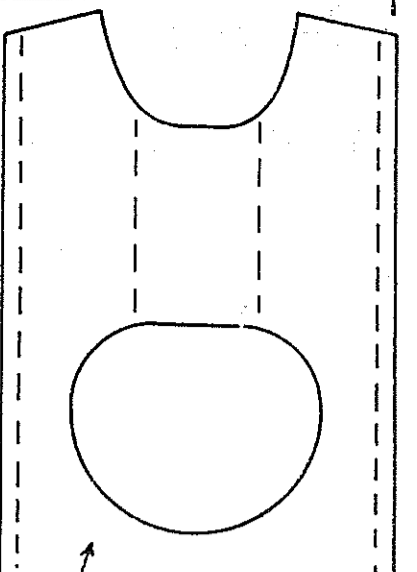
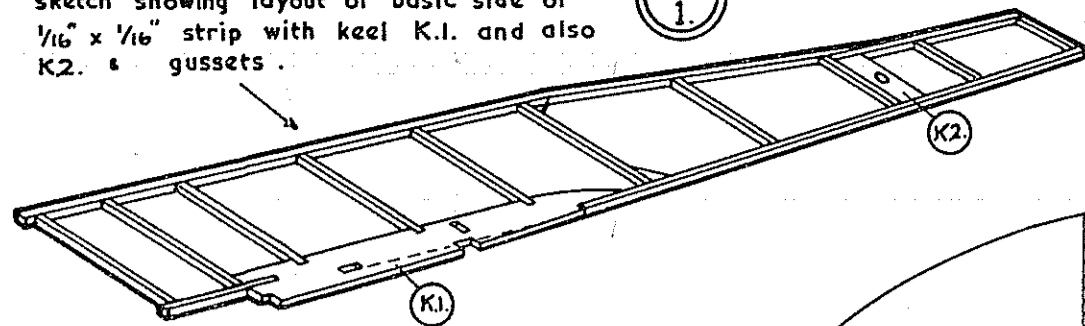


VERON SOPWITH Camel 18" SPAN.

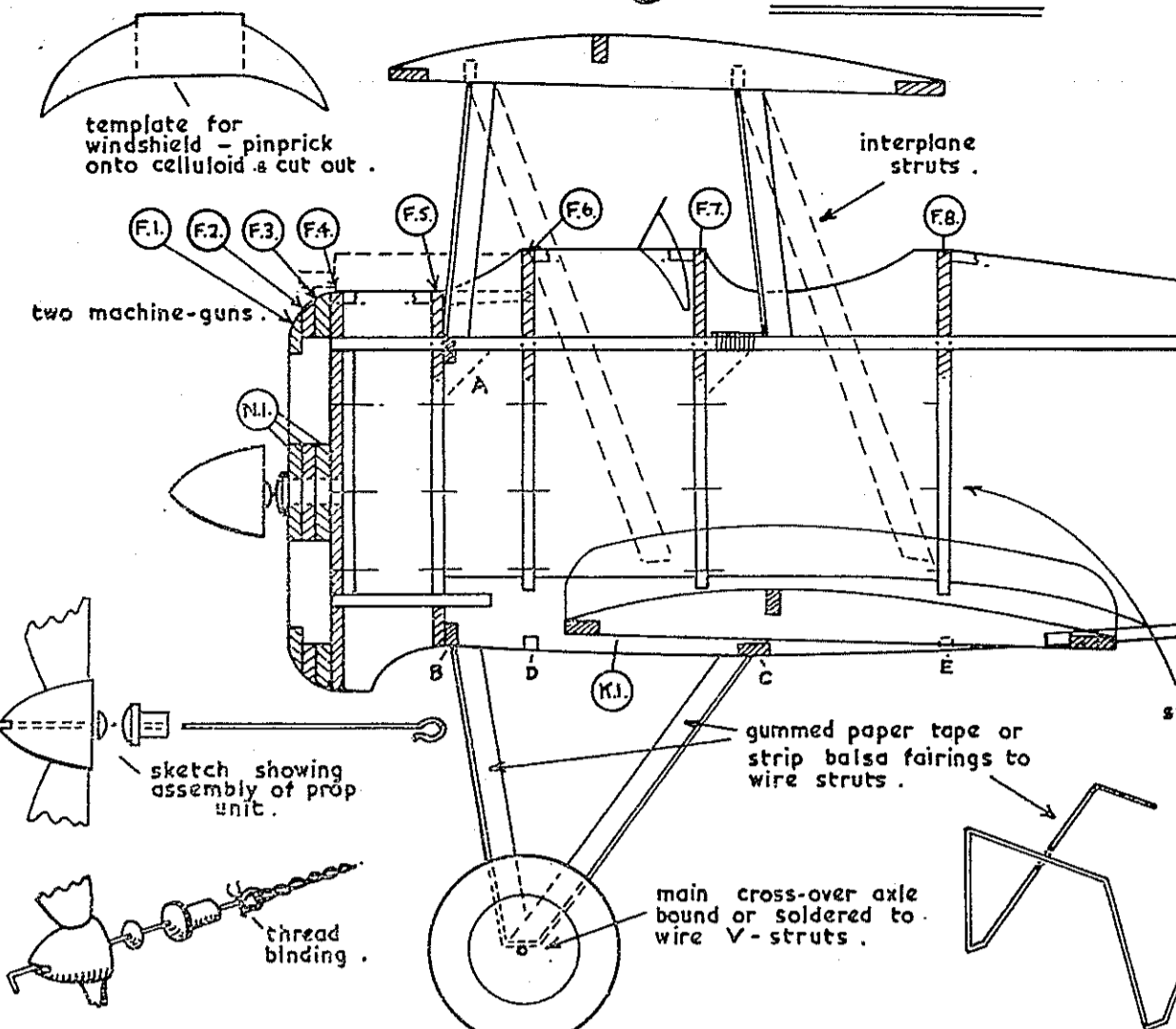
1914-18
SINGLE SEAT FIGHTER.

sketch showing layout of basic side of $\frac{1}{16} \times \frac{1}{16}$ strip with keel K.1. and also K.2. & gussets.

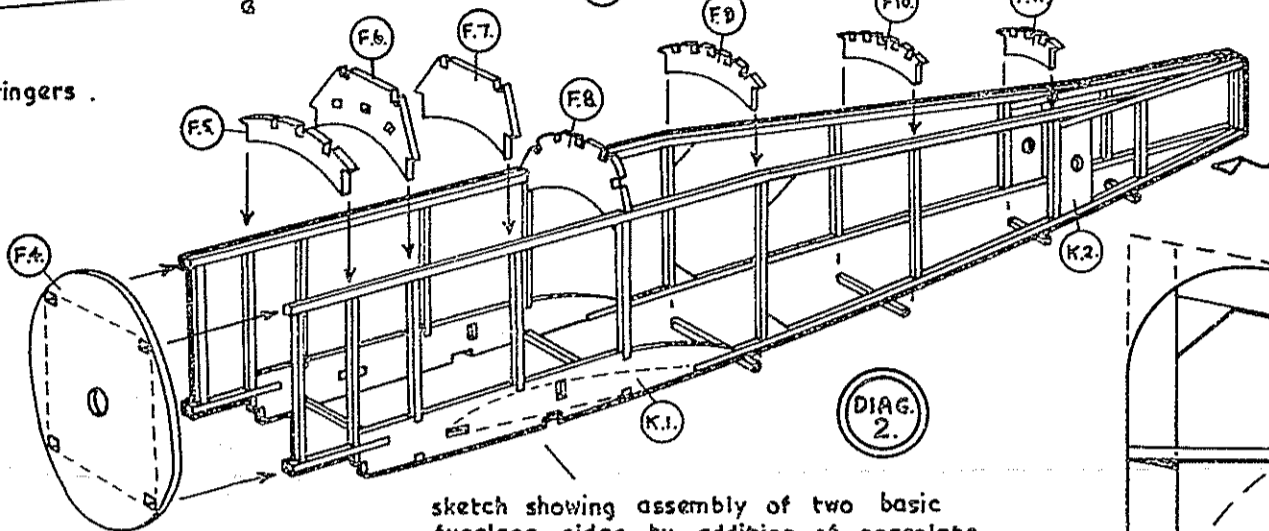
DIAG. 1



template for thin card or post-card fairing over cockpit. trace & cut out & cement over stringers.



side stringers.



sketch showing assembly of two basic fuselage sides by addition of noseplate F.4 top fuselage formers & lower cross-struts cut to lengths given.

- A []
 - B & C []
 - D & E []
 - F []
 - G []
 - H []
 - J []
- templates for cross-struts, A, G & C are $\frac{1}{8} \times \frac{1}{16}$ remainder $\frac{1}{16} \times \frac{1}{16}$.

WORLD COPYRIGHT RESERVED
MODEL AIRCRAFT (B'mouth) LTD.
BOURNEMOUTH, ENGLAND.

