

VERON

BRITISH LIGHTWEIGHT TRAINER De.H. Chipmunk

20" SPAN.

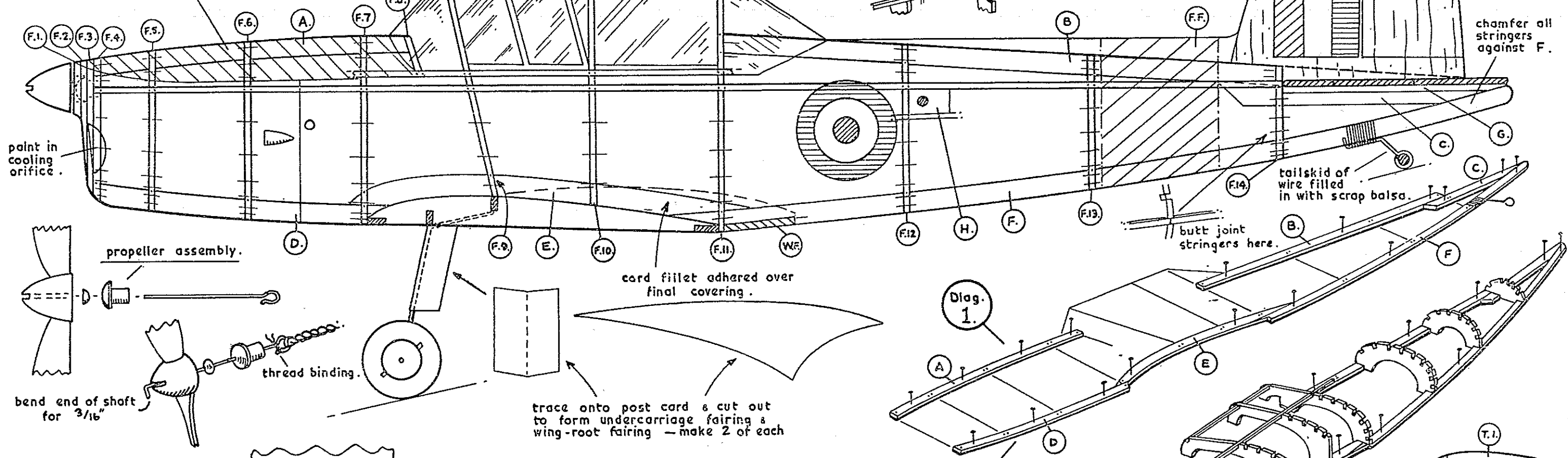
DESIGNED BY PHIL SMITH.

sketch showing the cabane structure.

red white & blue fin flash.

paint in all details of cabane etc..

top of nose pointed anti-dazzle black.



1st stage of construction. basic keel members are pinned in place.

secure wheels with washer & touch of solder or blob of cement.

R.A.F. roundels - paint on or use transfers.

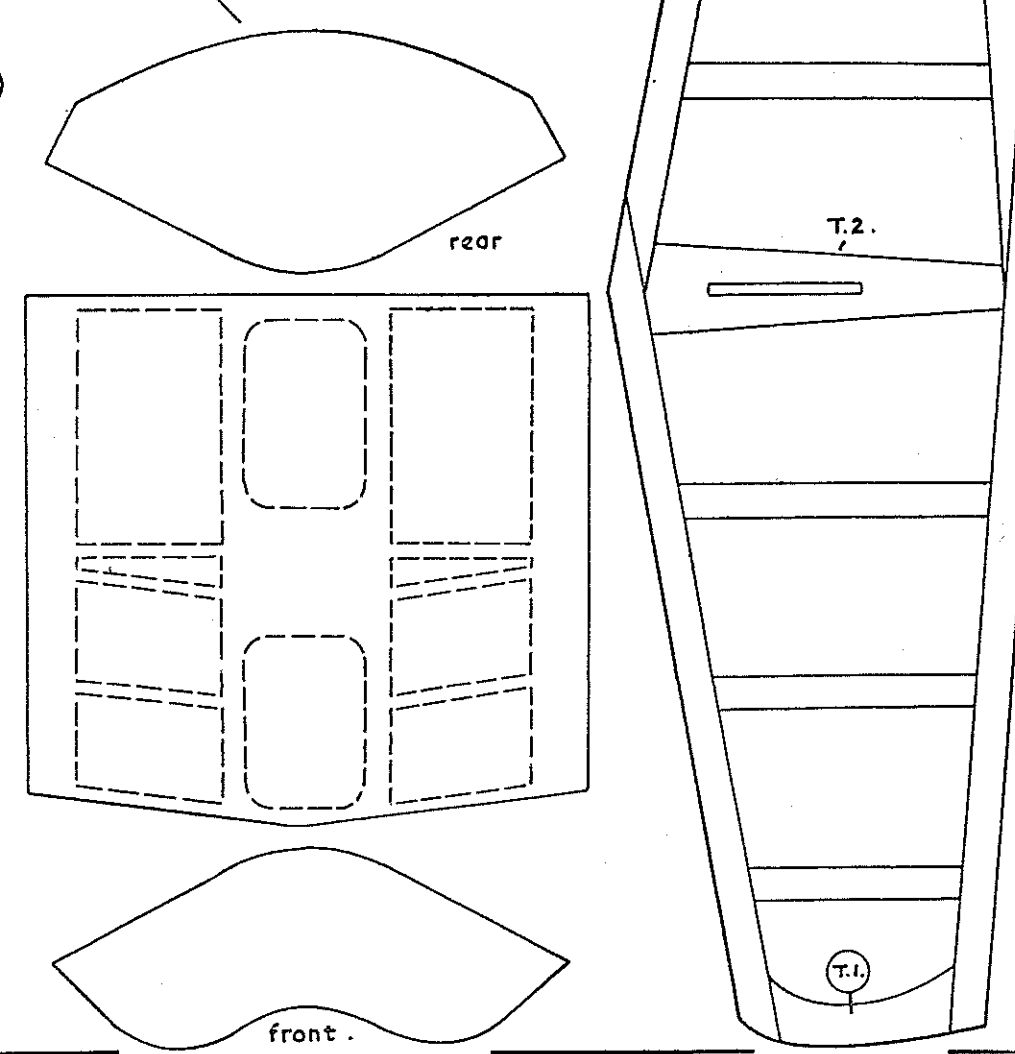
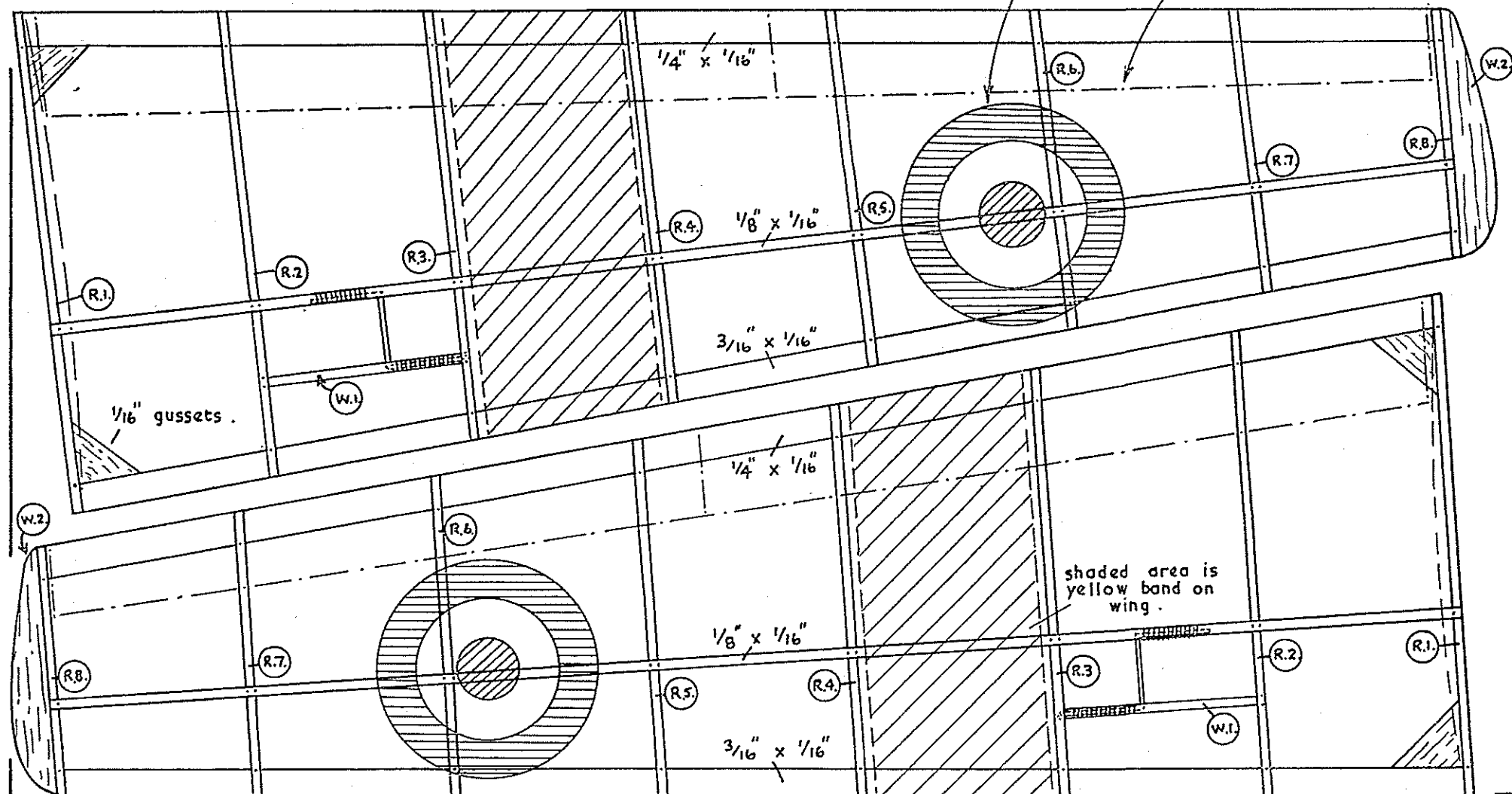
dotted line shows ailerons & flaps.

addition of left hand part of formers - then add all stringers before raising from board.

below are given templates for celluloid cabane covering - pin prick outline thru' & cut out.

bend wire to shape using front & top views as guides then bind to undersides of spar & W.1. with thread.

template for wing root rib - cut out & paste to card. dihedral is 1/2" at tips



CHIPMUNK TRUFLITE. No 2. 1/16" x 3" x 12" - 1 OFF.

