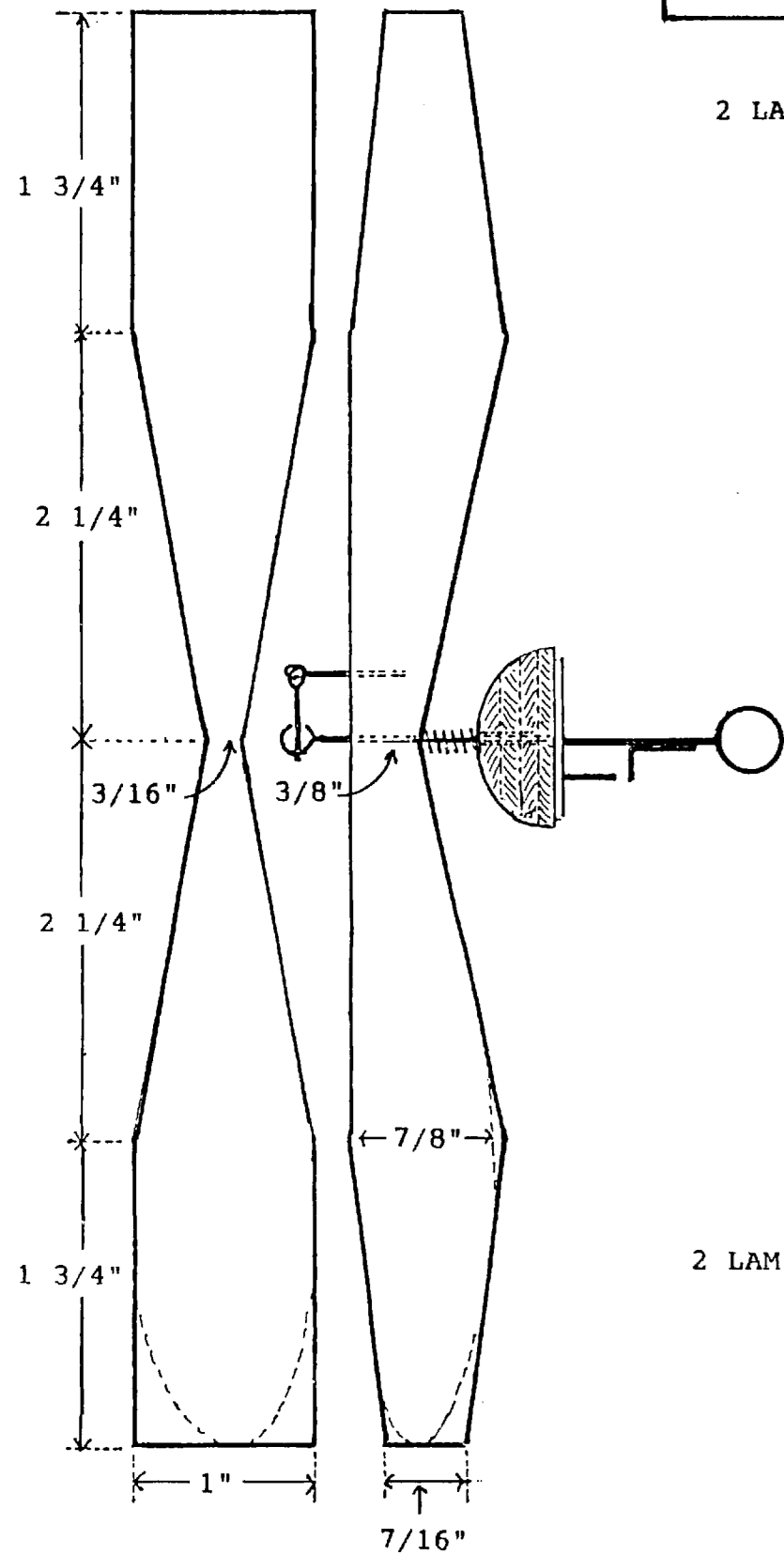
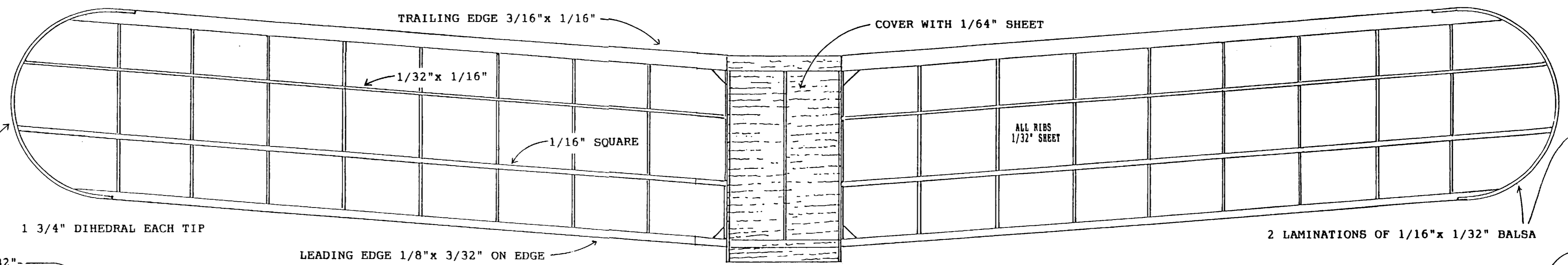


1/2 SCALE COPLAND WAKEFIELD  
 DESIGNED BY MIKE HOLLAMBY  
 FROM A PLAN BY R. MIKKELSON

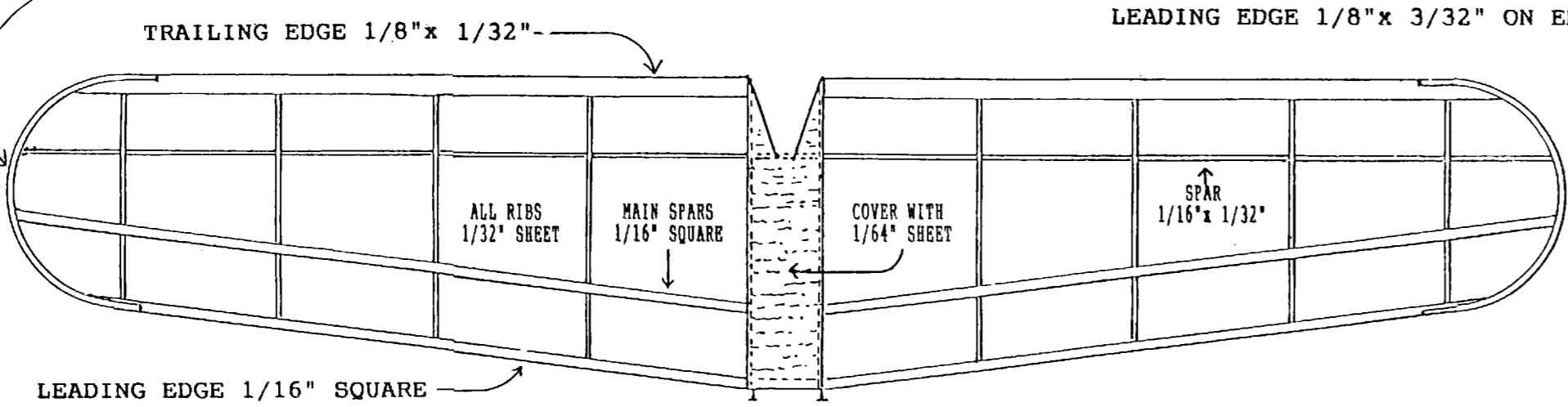


2 LAMINATIONS OF 1/16" x 1/32" Balsa

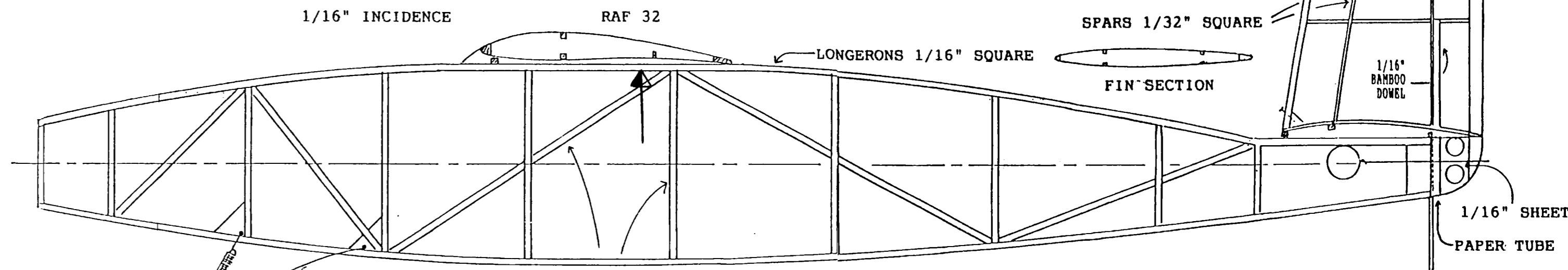
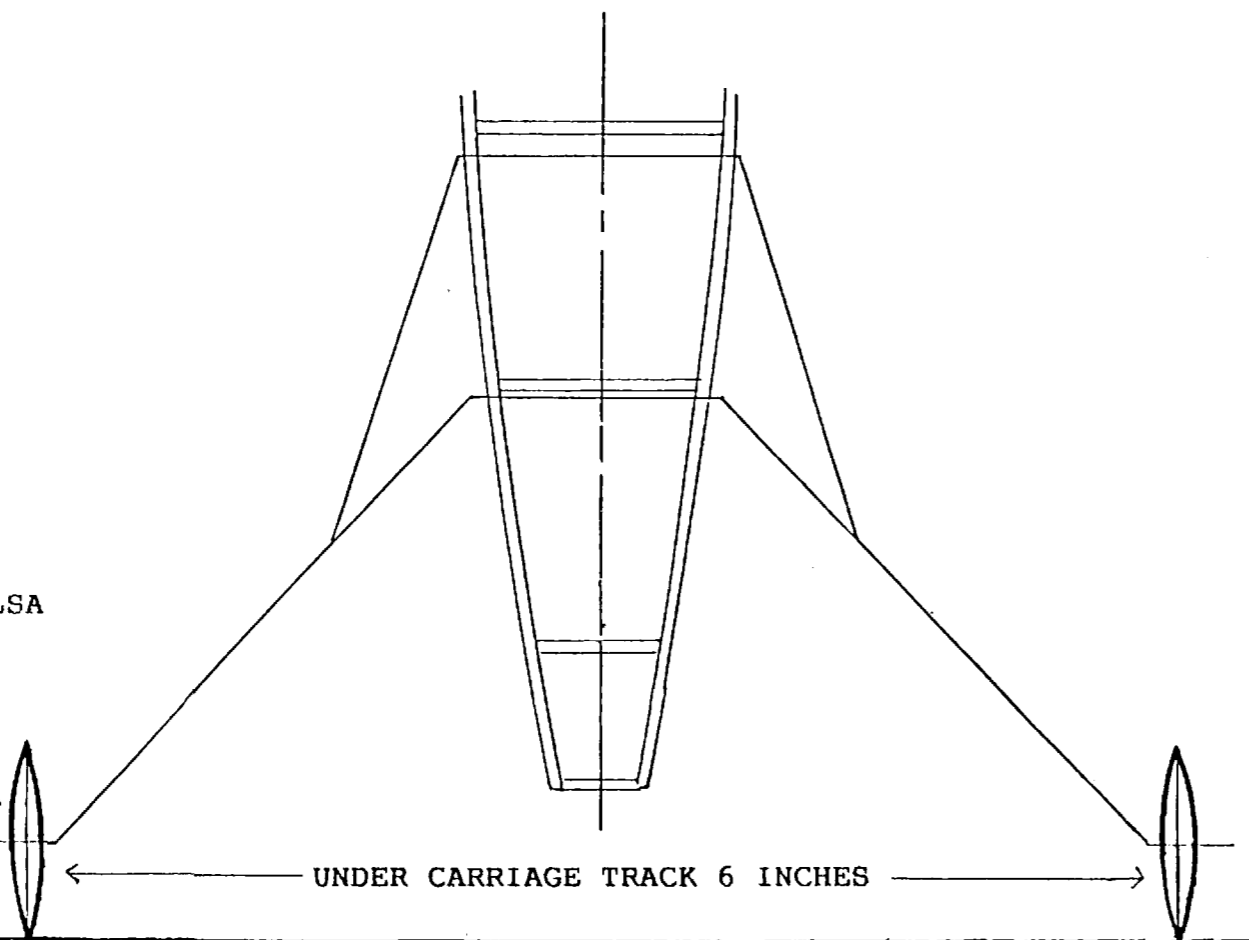


1 3/4" DIHEDRAL EACH TIP

2 LAMINATIONS OF 1/16" x 1/32" Balsa



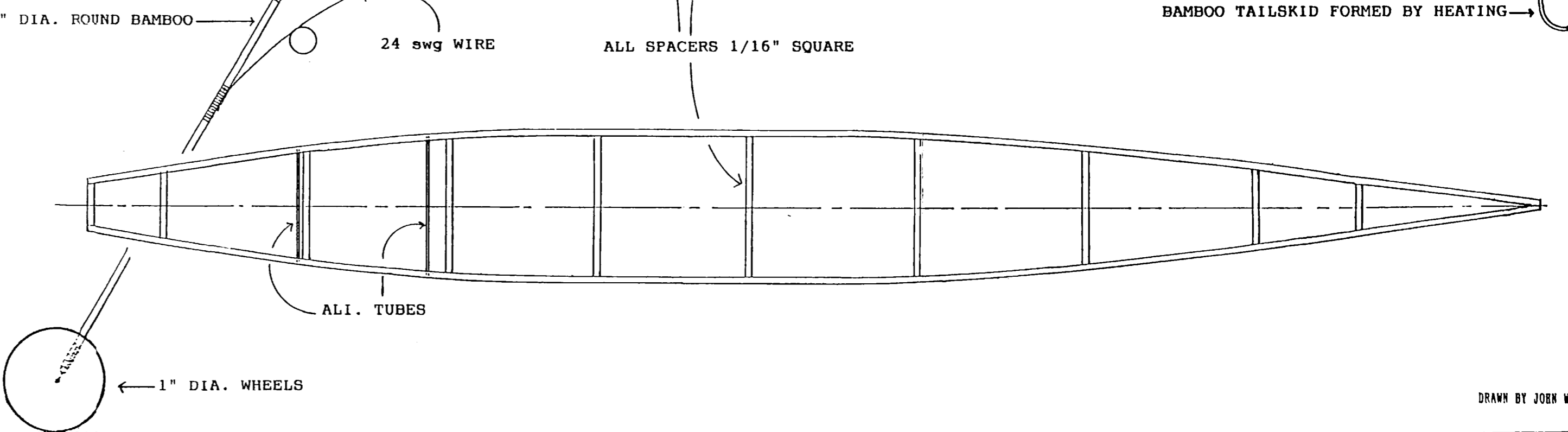
2 LAMINATIONS OF 3/32" Balsa



4 1/2" OF 1/16" DIA. ROUND BAMBOO

24 swg WIRE

ALL SPACERS 1/16" SQUARE



DRAWN BY JOHN WHITE