

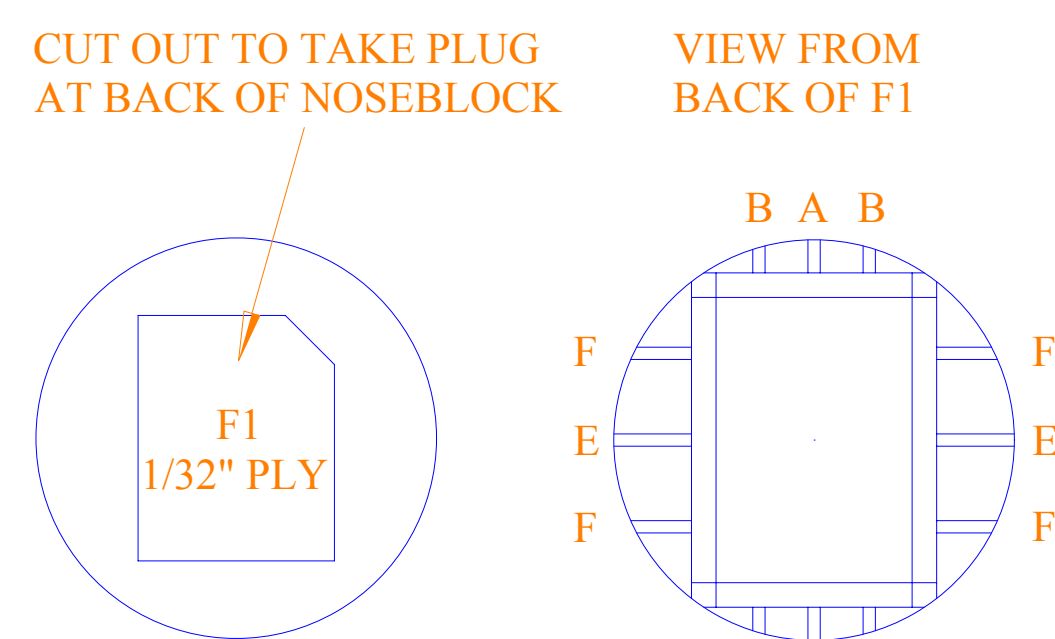
A 44" WING SPAN WAKEFIELD MODEL

TOPSY

Designed by
N. OSBOURNE

Copyright of
The Aeromodeller Plans Service
THE AERODROME, STANBRIDGE, NR. LEIGHTON BUZZARD, BEDS

All wood balsa unless otherwise stated



WEIGHTS	
WINGS	1.25 OZS.
FUSELAGE (INC. C/S & FIN)	1.625 OZS.
TAILPLANE	0.25 OZS.
U/CARRIAGE	0.40 OZS.
AIRSCREW	1.25 OZS.
RUBBER IN STRANDS 1/24" x 1/4" x 45"	3.25 OZS.
TOTAL	8.025 OZS.

DATA	
WING SPAN	44 INS.
WING AREA	205 SQ. INS.
TAILPLANE SPAN	20 INS.
TAILPLANE AREA	66.5 SQ. INS.
FUSELAGE LENGTH	22.5 SQ. INS.
FUSELAGE MAX. 'X' SECTION	2.75 INS.
WING SECTION	N.A.C.A. 6412
C.G. POSITION	50% WING CHORD
DIHEDRAL ANGLE	11 DEGS.

MATERIALS REQUIRED		
10 STRIPS OF 1/16" x 1/8" x 36" Balsa	SMALL PIECE OF HARDWOOD 1/2" x 1/2" x 7/16"	1 Balsa block 18" x 2" x 1-1/2" MEDIUM SOFT
1 STRIP OF 3/32" x 3/8" x 36" Balsa	1 SCREWED BRASS BUSH, 16 SWG INT. DIA.	1 THRUST RACE
2 STRIPS OF 1/8" x 1/8" x 36" Balsa	1" OF 16 SWG ALUMINIUM TUBING	6" x 3" OF 3/16" Balsa SHEET
2 STRIPS OF 1/8" x 1/2" x 36" Balsa	6" x 3" OF 3/16" Balsa SHEET	4" x 4" OF 1/32" PLY
2 STRIPS OF 1/4" x 1/4" x 36" Balsa	4" x 4" OF 1/32" PLY	2" OF 3/16" DIA. DOWEL
1 SHEET OF 1/32" x 3" x 36" Balsa		
2 SHEETS OF 1/16" x 3" x 36" Balsa		
1 SHEETS OF 1/8" x 3" x 36" Balsa		

