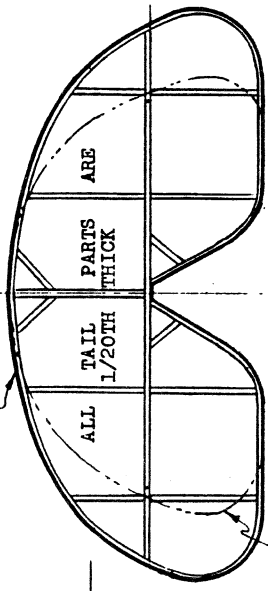


ENGINE CHAMKCASE IS MADE FROM A Balsa BLOCK
WMS. BROS. THRUST BEARING

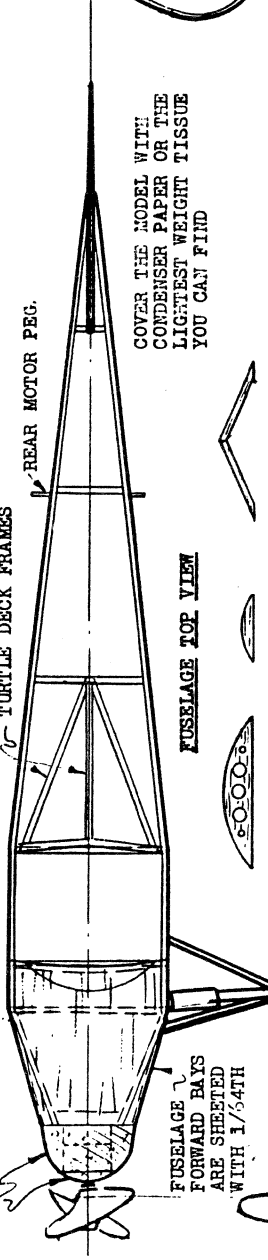
WING PLAN VIEW

TAIL OUTLINE IS LAMINATED, USE THREE PIECES OF
1/64 X 1/20 Balsa

TURTLE DECK FRAMES
REAR MOTOR PEG.



SCALE TAIL SIZE



FUSELAGE TOP VIEW

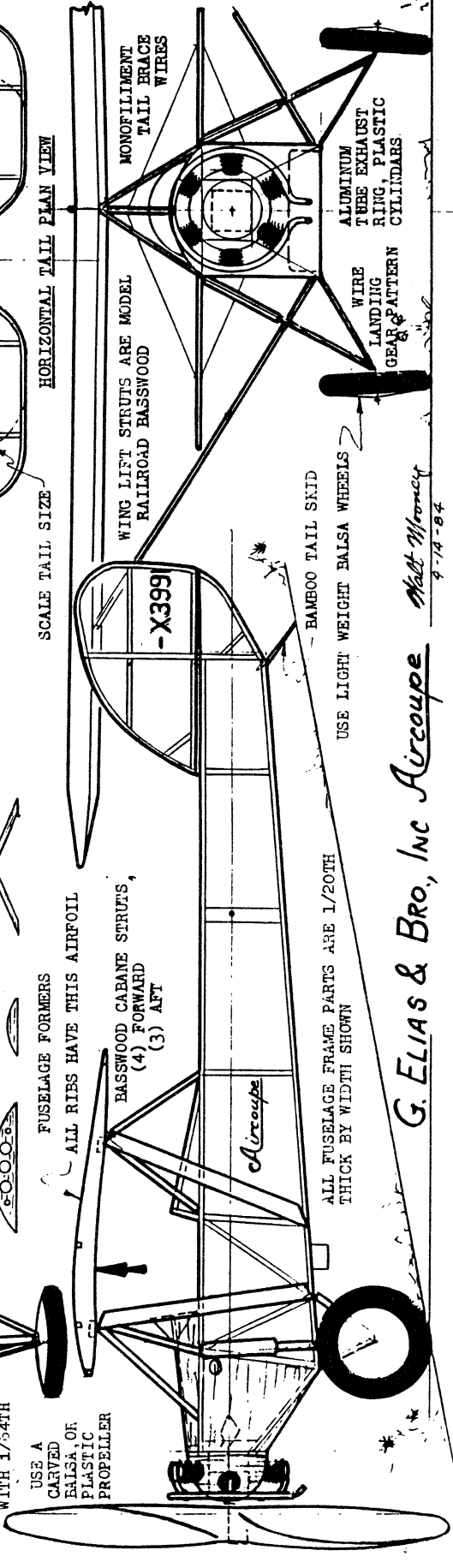
FUSELAGE FORMERS

ALL RIBS HAVE THIS AIRFOIL

BASSWOOD CABANE STRUTS,
(4) FORWARD
(3) AFT

FUSELAGE FORWARD BAYS ARE SHEETED WITH 1/54TH

USE A CARVED Balsa, OR PLASTIC PROPELLER



WING LIFT STRUTS ARE MODEL RAILROAD BASSWOOD

MONOFILMENT TAIL BRACE WIRE

ALUMINUM TUBE EXHAUST RING, PLASTIC CYLINDERS

WIRE LANDING GEAR PATTERN

BAMBOO TAIL SKID

USE LIGHT WEIGHT Balsa WHEELS

ALL FUSELAGE FRAME PARTS ARE 1/20TH THICK BY WIDTH SHOWN

G. ELIAS & Bro., Inc Aircoupe

Matt Monney

9-74-84