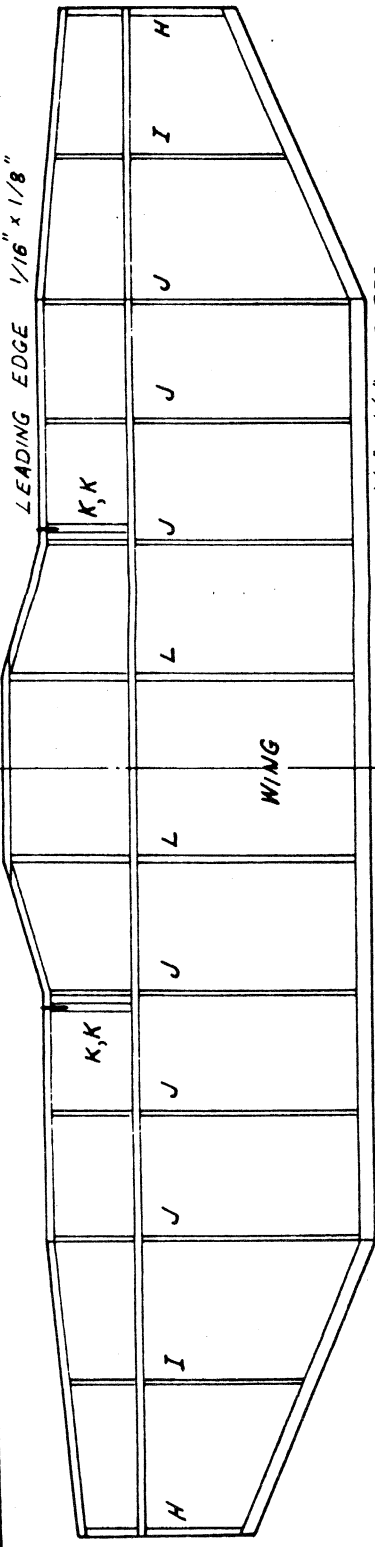
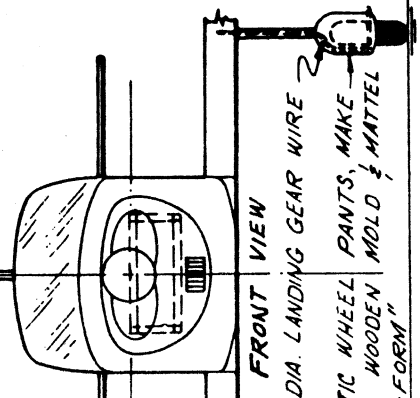


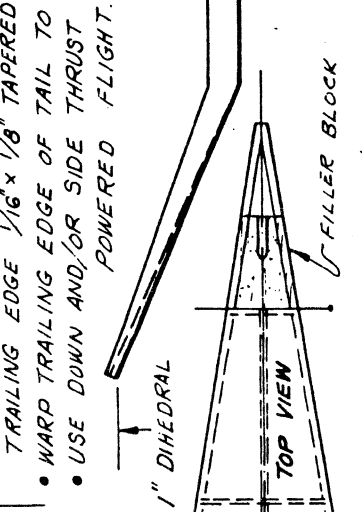
- MODEL MAY BE FLOWN WITH ONE LOOP OF 1/8" FLAT RUBBER 9" LONG.
- BALLAST TO GET C.G. AT POSITION SHOWN.
- TRAILING EDGE OF WING TIPS SHOULD BE 1/16" HIGHER THAN LEADING EDGE (WING SHOULD HAVE WASHOUT).



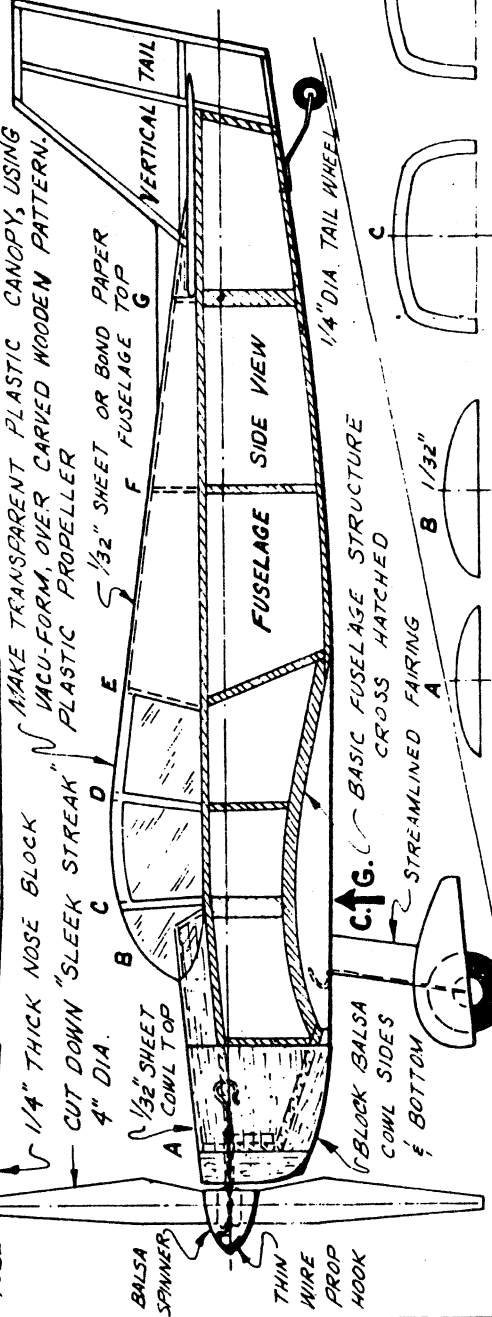
- TRAILING EDGE 1/16" x 1/8" TAPERED
- WARP TRAILING EDGE OF TAIL TO CONTROL GLIDE.
- USE DOWN AND/OR SIDE THRUST TO CONTROL POWERED FLIGHT.



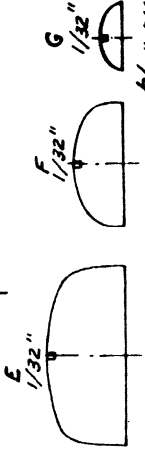
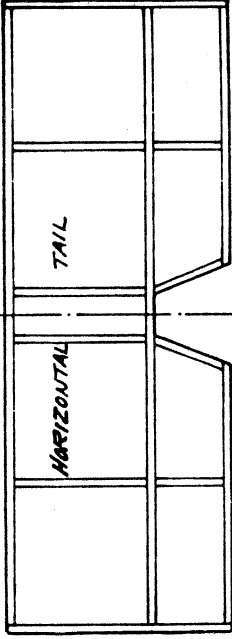
- FRONT VIEW
- 1/32" DIA. LANDING GEAR WIRE
- PLASTIC WHEEL PANTS, MAKE USING WOODEN MOLD & MATTEL "VACU-FORM"
- BALSA IF DESIRED.



- 1" DIHEDRAL
- FILLER BLOCK
- MAKE TRANSPARENT PLASTIC CANOPY, USING VACU-FORM, OVER CARVED WOODEN PATTERN.
- PLASTIC PROPELLER



- 1/4" THICK NOSE BLOCK
- CUT DOWN "SLEEK STREAK" 4" DIA.
- 1/32" SHEET COWL TOP
- FUSELAGE TOP
- BASIC FUSELAGE STRUCTURE CROSS HATCHED
- STREAMLINED FAIRING
- 1/4" DIA. TAIL WHEEL



PEANUT SCALE  
 JOE D. 150 "MASCARET"  
 6-20-68  
*Mark Moroney*

- ALL PARTS, UNLESS OTHERWISE NOTED, ARE 1/16" THICK BALSA BY THE SHAPE SHOWN
- COVER WITH "SUPERFINE" OR "JAP TISSUE"

5/8" DIA WHEELS