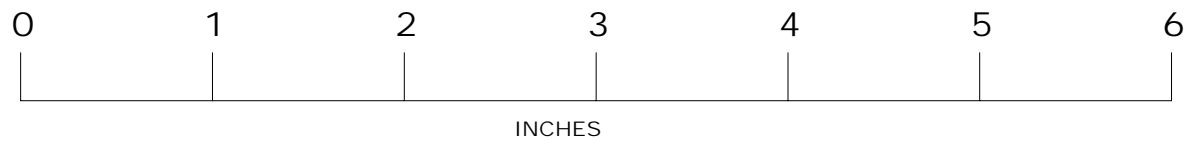


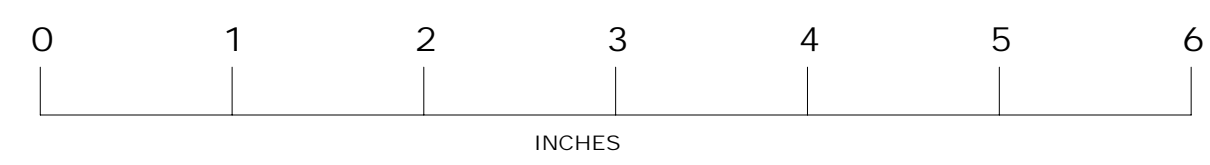
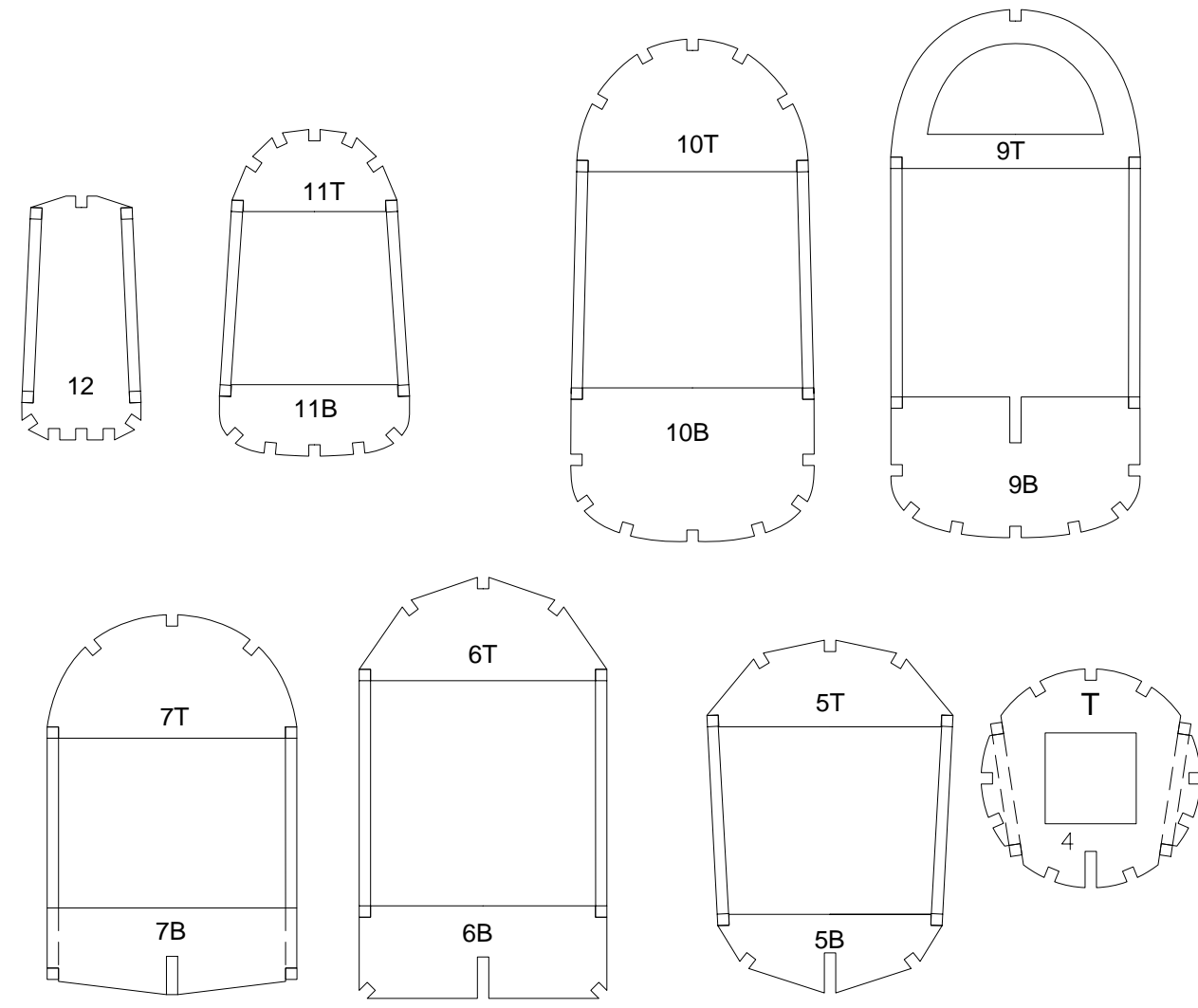
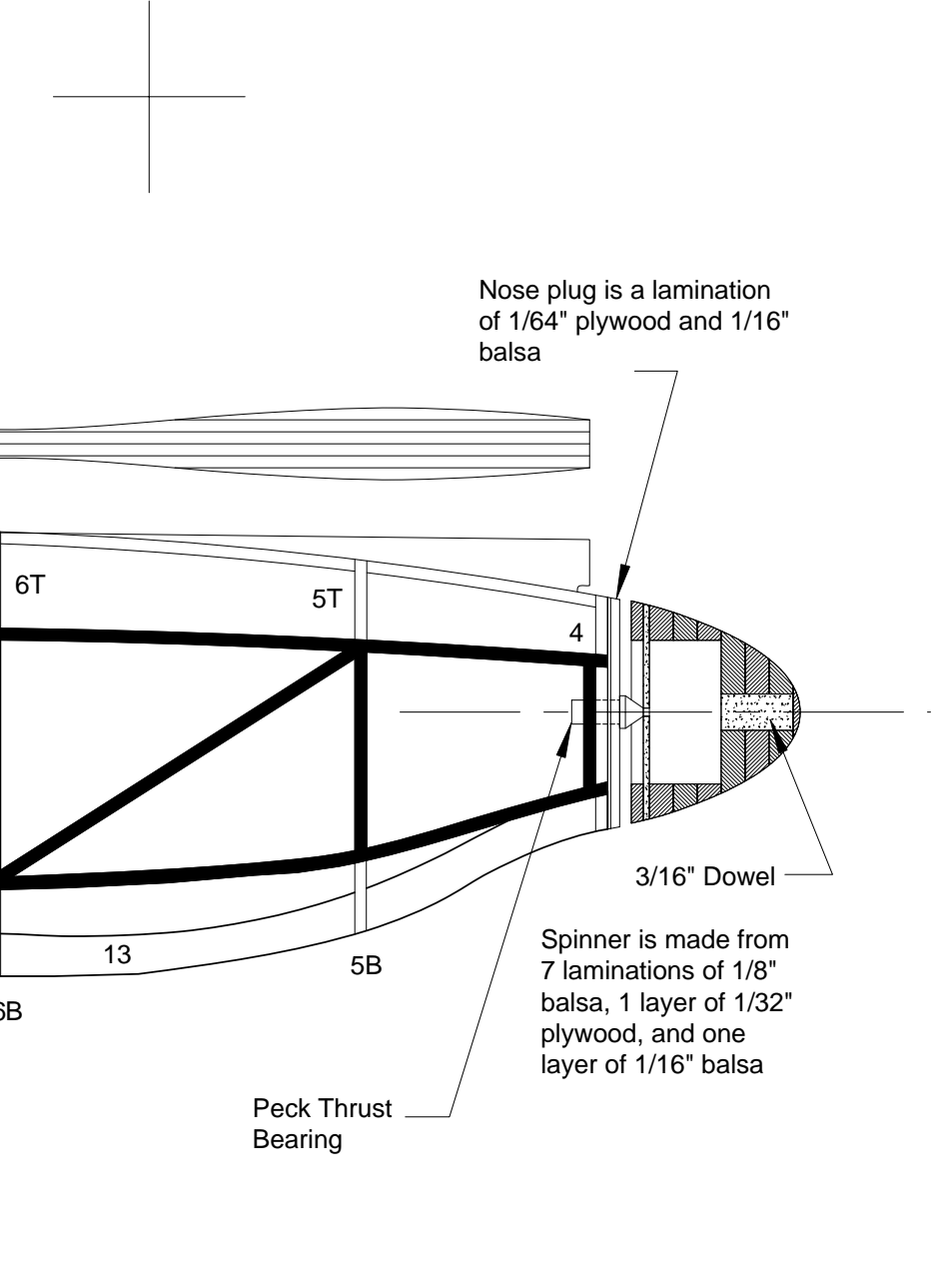
Comet North American P-51A

Wingspan - 18"

CAD Drawing by Paul Bradley

Sheet 1 of 8

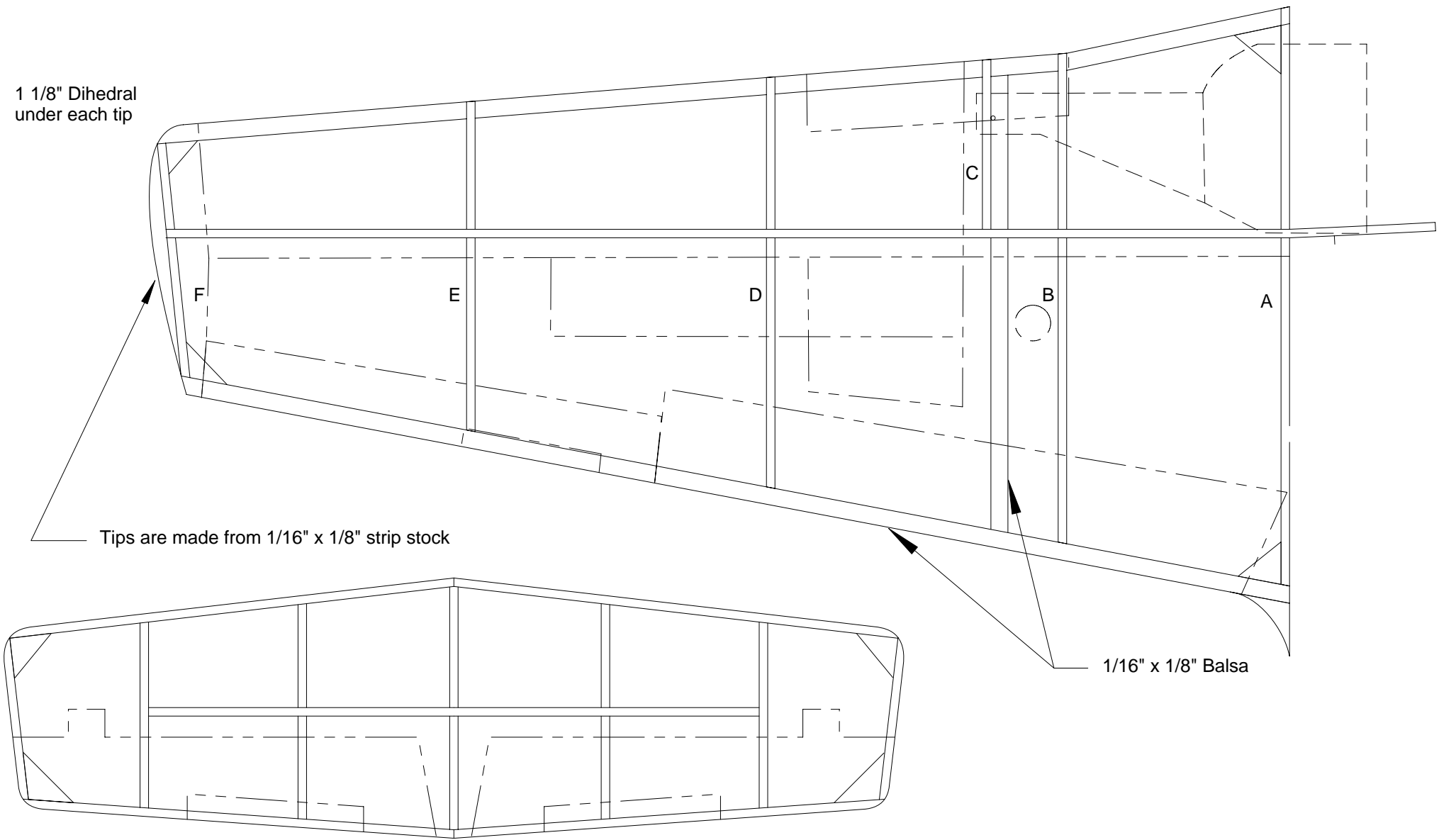




Comet North American P-51A

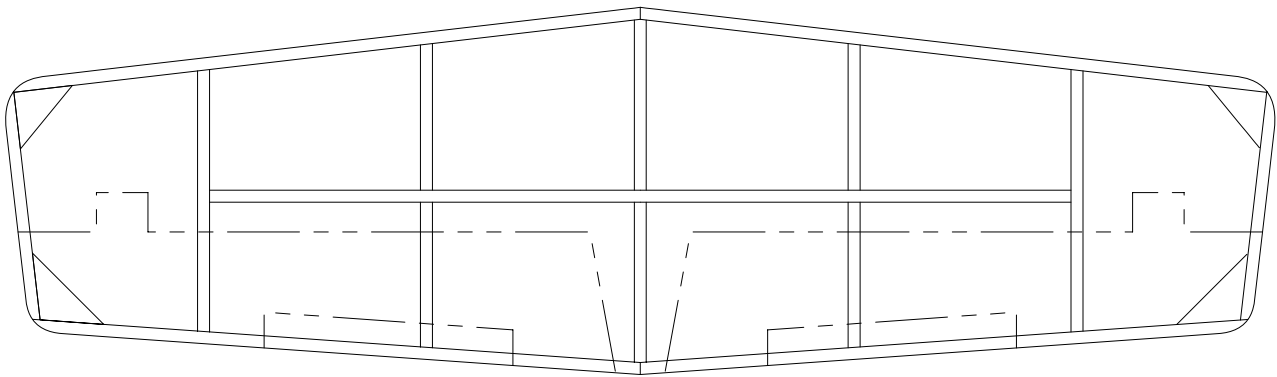
Wingspan - 18"

1 1/8" Dihedral
under each tip



Tips are made from 1/16" x 1/8" strip stock

1/16" x 1/8" Balsa



0 1 2 3 4 5 6

INCHES

Comet North American P-51A

Wingspan - 18"

CAD Drawing by Paul Bradley

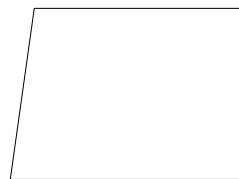
Sheet 3 of 8

Wing center section is flat.

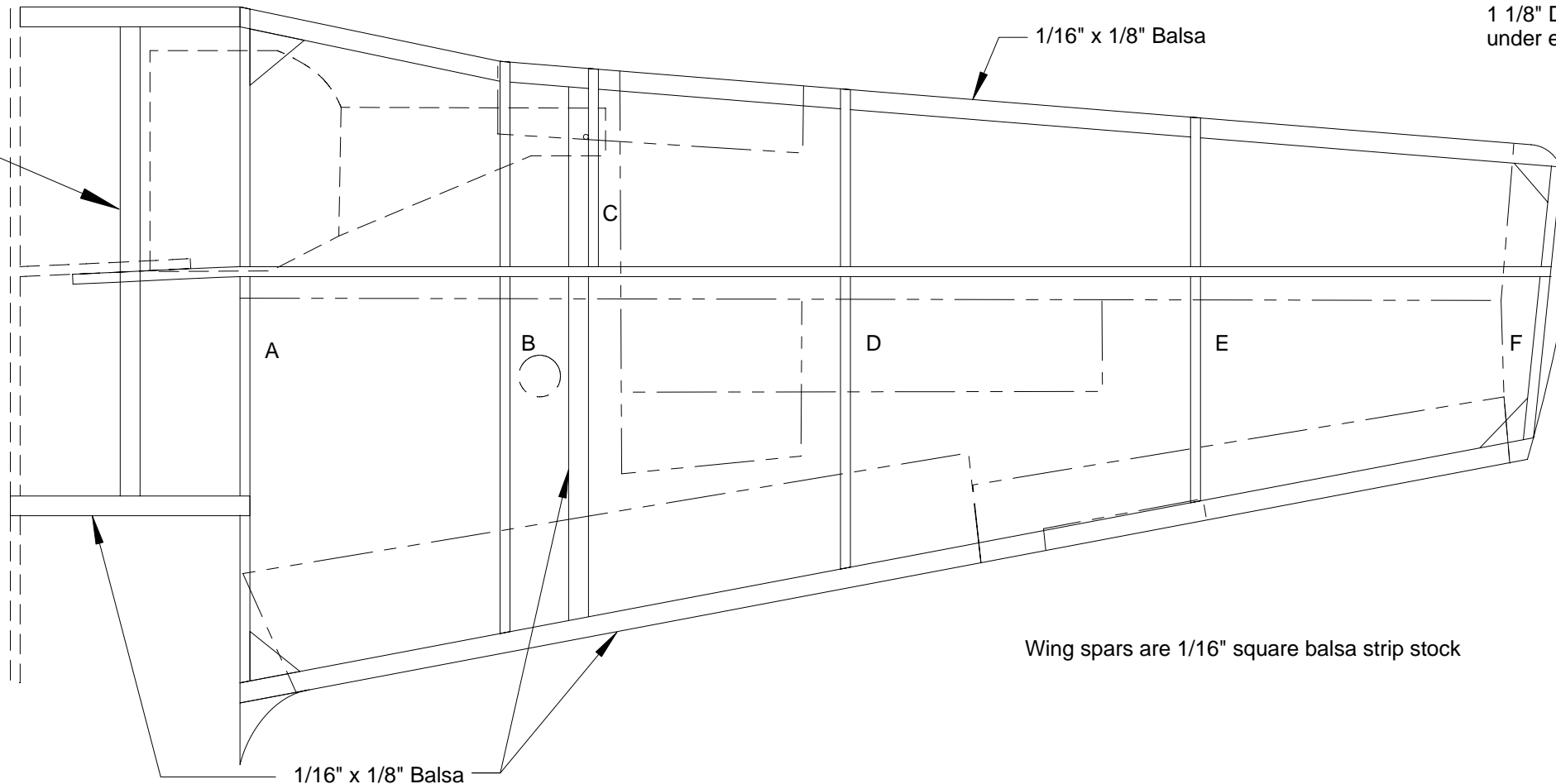
1 1/8" Dihedral under each tip

1/16" x 1/8" Balsa
on bottom only

1/16" x 1/8" Balsa

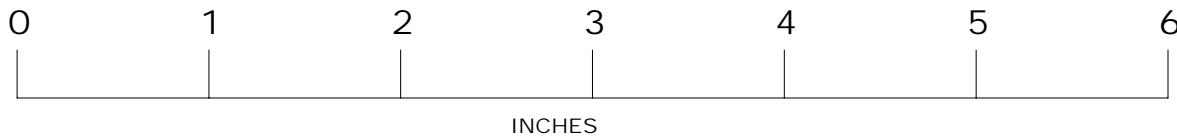


Dihedral template for rib A



Wing spars are 1/16" square balsa strip stock

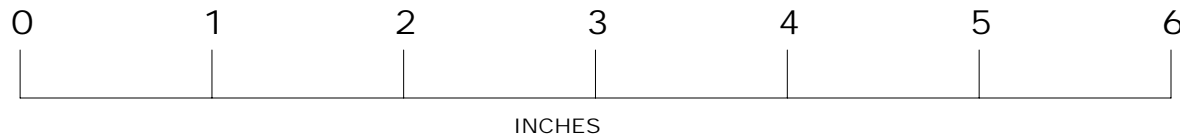
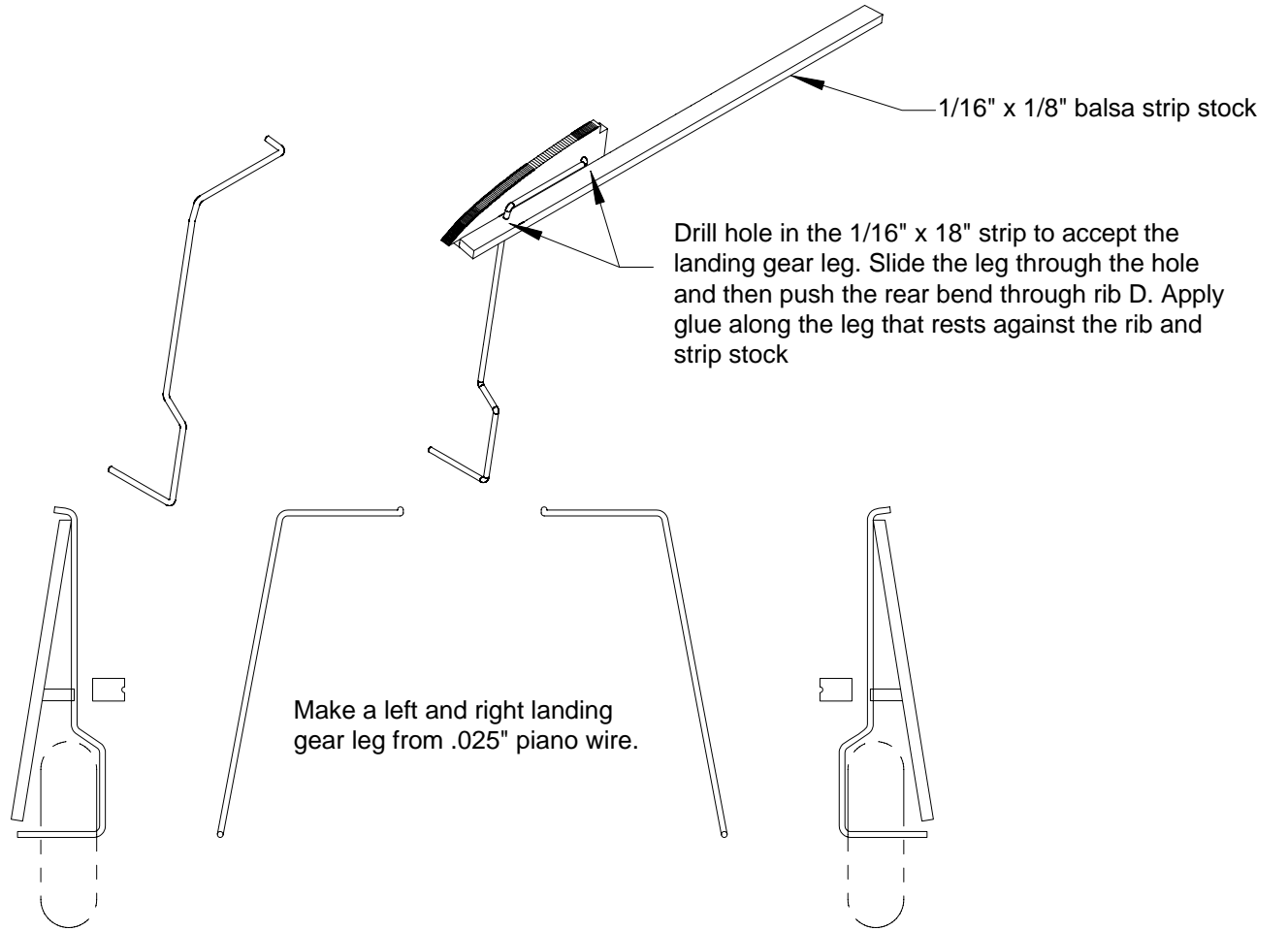
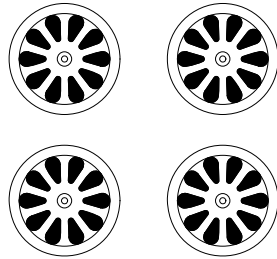
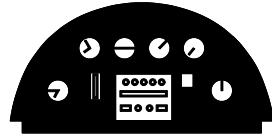
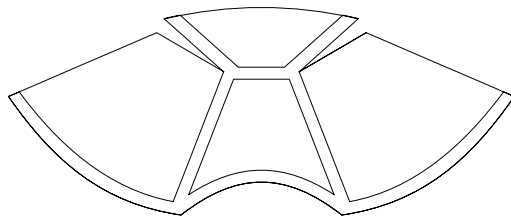
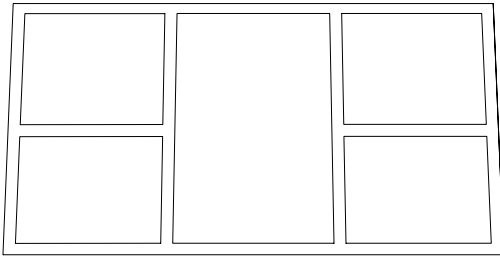
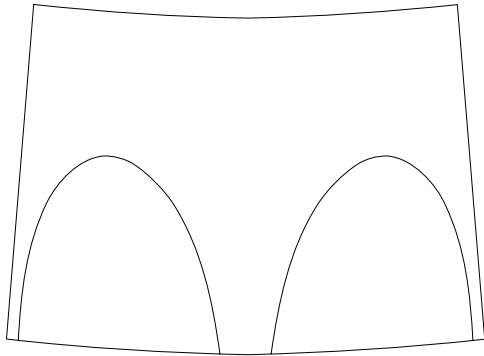
1/16" x 1/8" Balsa



Comet North American P-51A

Wingspan - 18"

BUILDING NOTES AND PATTERNS



Comet North American P-51A

Wingspan - 18"

BUILDING NOTES

Comet North American P-51A

Wingspan - 18"

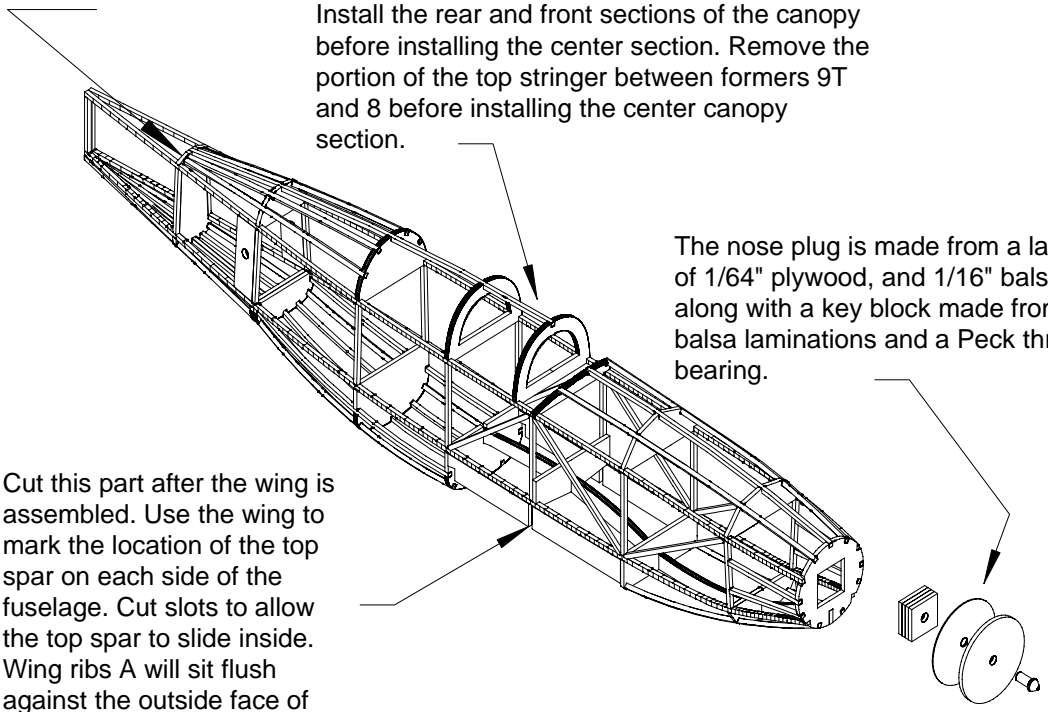
CAD Drawing by Paul Bradley Sheet 6 of 8

Trim the top of former 12 to the profile shown after it has been installed.

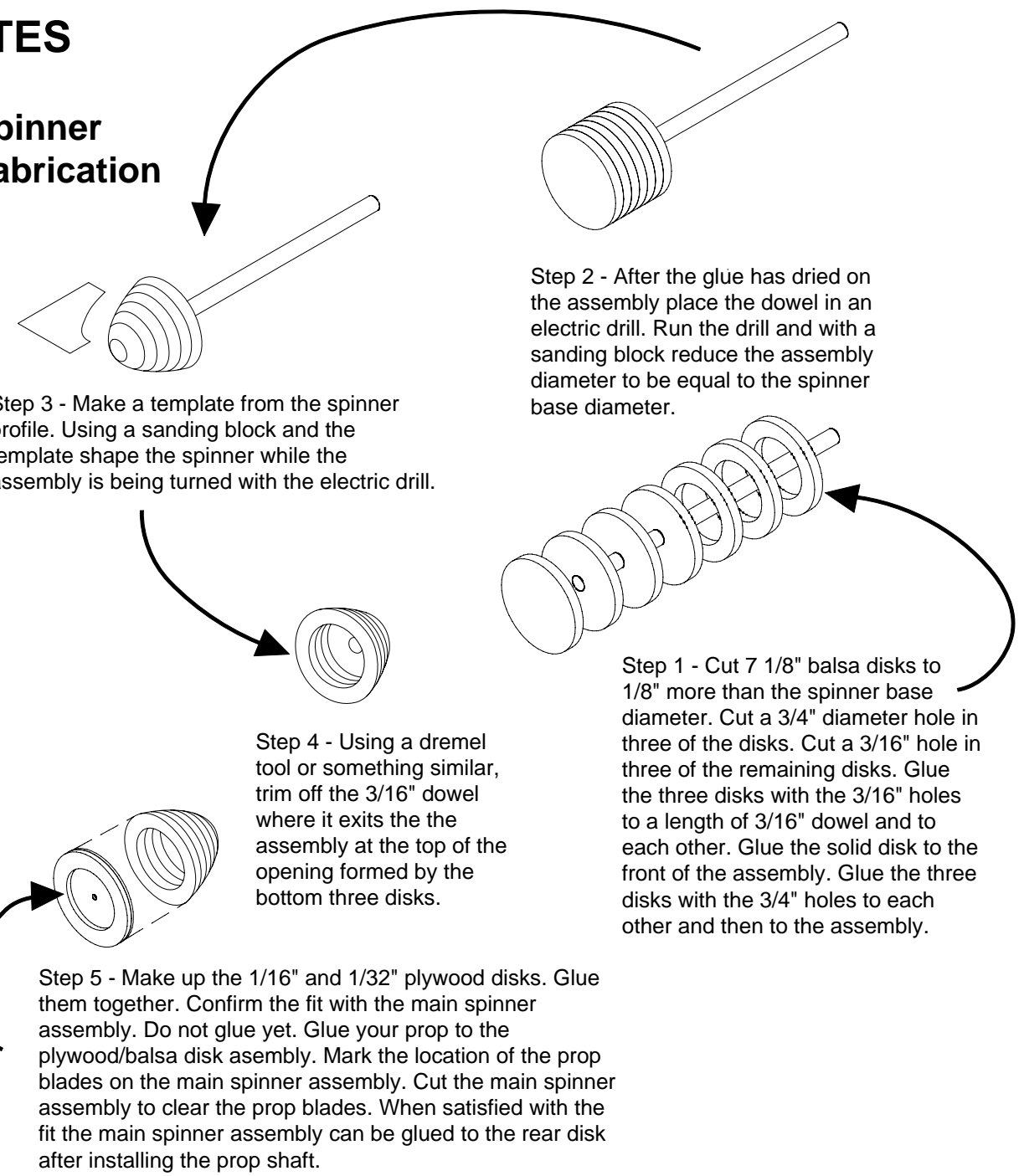
Install the rear and front sections of the canopy before installing the center section. Remove the portion of the top stringer between formers 9T and 8 before installing the center canopy section.

The nose plug is made from a lamination of 1/64" plywood, and 1/16" balsa disks along with a key block made from 1/16" balsa laminations and a Peck thrust bearing.

Cut this part after the wing is assembled. Use the wing to mark the location of the top spar on each side of the fuselage. Cut slots to allow the top spar to slide inside. Wing ribs A will sit flush against the outside face of these parts.



Spinner Fabrication



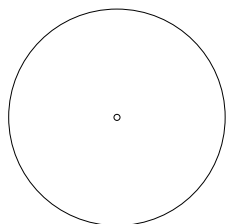
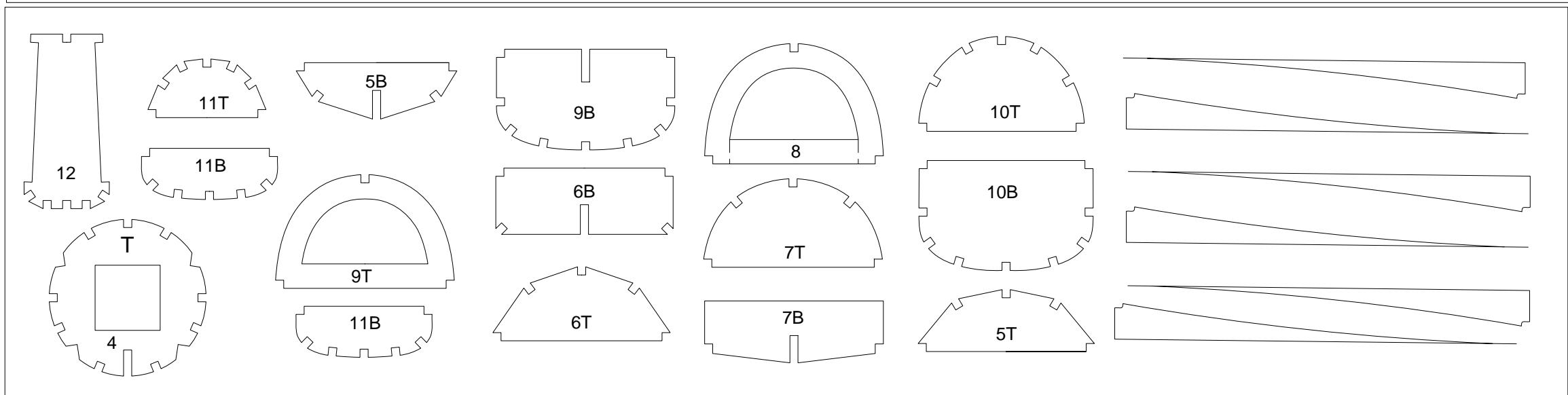
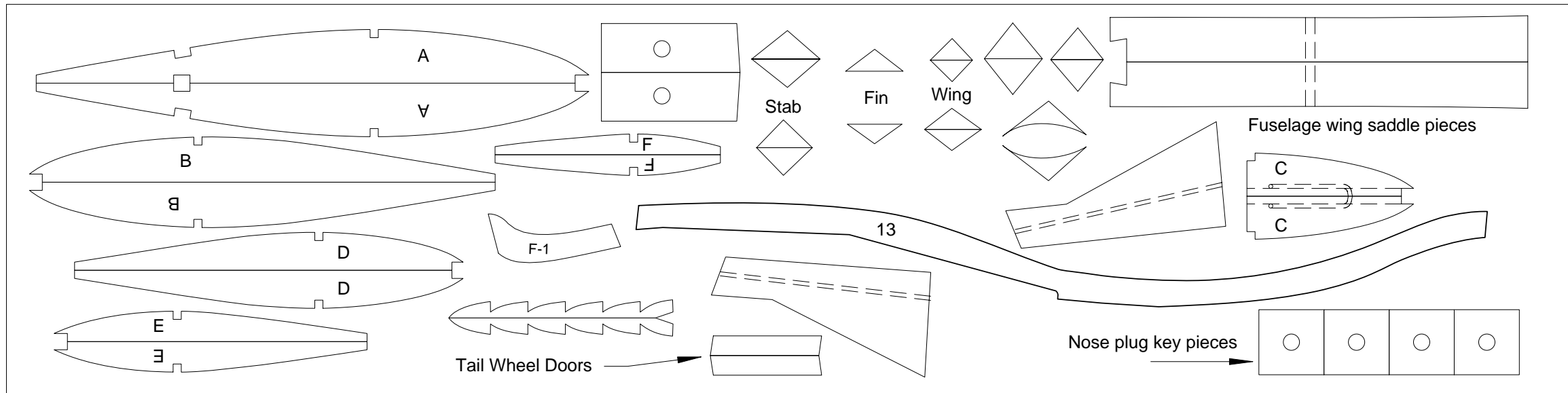
Step 2 - After the glue has dried on the assembly place the dowel in an electric drill. Run the drill and with a sanding block reduce the assembly diameter to be equal to the spinner base diameter.

Step 3 - Make a template from the spinner profile. Using a sanding block and the template shape the spinner while the assembly is being turned with the electric drill.

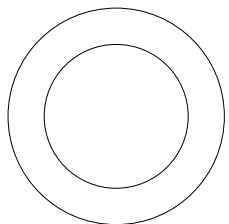
Step 1 - Cut 7 1/8" balsa disks to 1/8" more than the spinner base diameter. Cut a 3/4" diameter hole in three of the disks. Cut a 3/16" hole in three of the remaining disks. Glue the three disks with the 3/16" holes to a length of 3/16" dowel and to each other. Glue the solid disk to the front of the assembly. Glue the three disks with the 3/4" holes to each other and then to the assembly.

Step 4 - Using a dremel tool or something similar, trim off the 3/16" dowel where it exits the the assembly at the top of the opening formed by the bottom three disks.

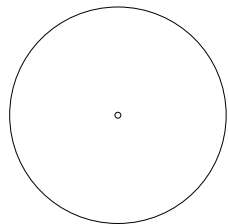
Step 5 - Make up the 1/16" and 1/32" plywood disks. Glue them together. Confirm the fit with the main spinner assembly. Do not glue yet. Glue your prop to the plywood/balsa disk assembly. Mark the location of the prop blades on the main spinner assembly. Cut the main spinner assembly to clear the prop blades. When satisfied with the fit the main spinner assembly can be glued to the rear disk after installing the prop shaft.



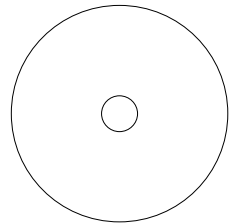
Nose plug - Make one from 1/64" plywood and one from 1/16" balsa



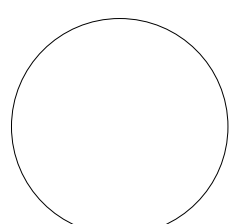
Spinner - Make 3 from 1/8" balsa and 1 from 1/16" balsa



Spinner - Make 1 from 1/32" plywood



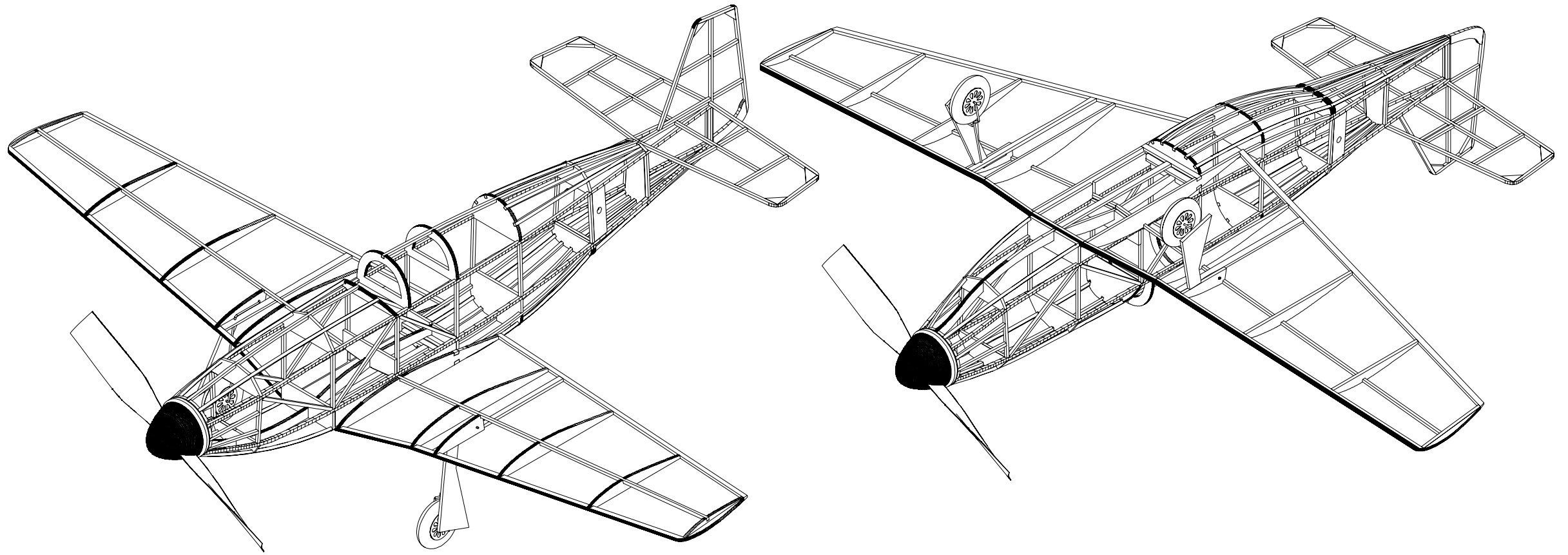
Spinner - Make 3 from 1/8" balsa



Spinner - Make 1 from 1/8" balsa

Comet North American P-51A

Wingspan - 18"



Comet North American P-51A

Wingspan - 18"

CAD Drawing by Paul Bradley

Sheet 8 of 8