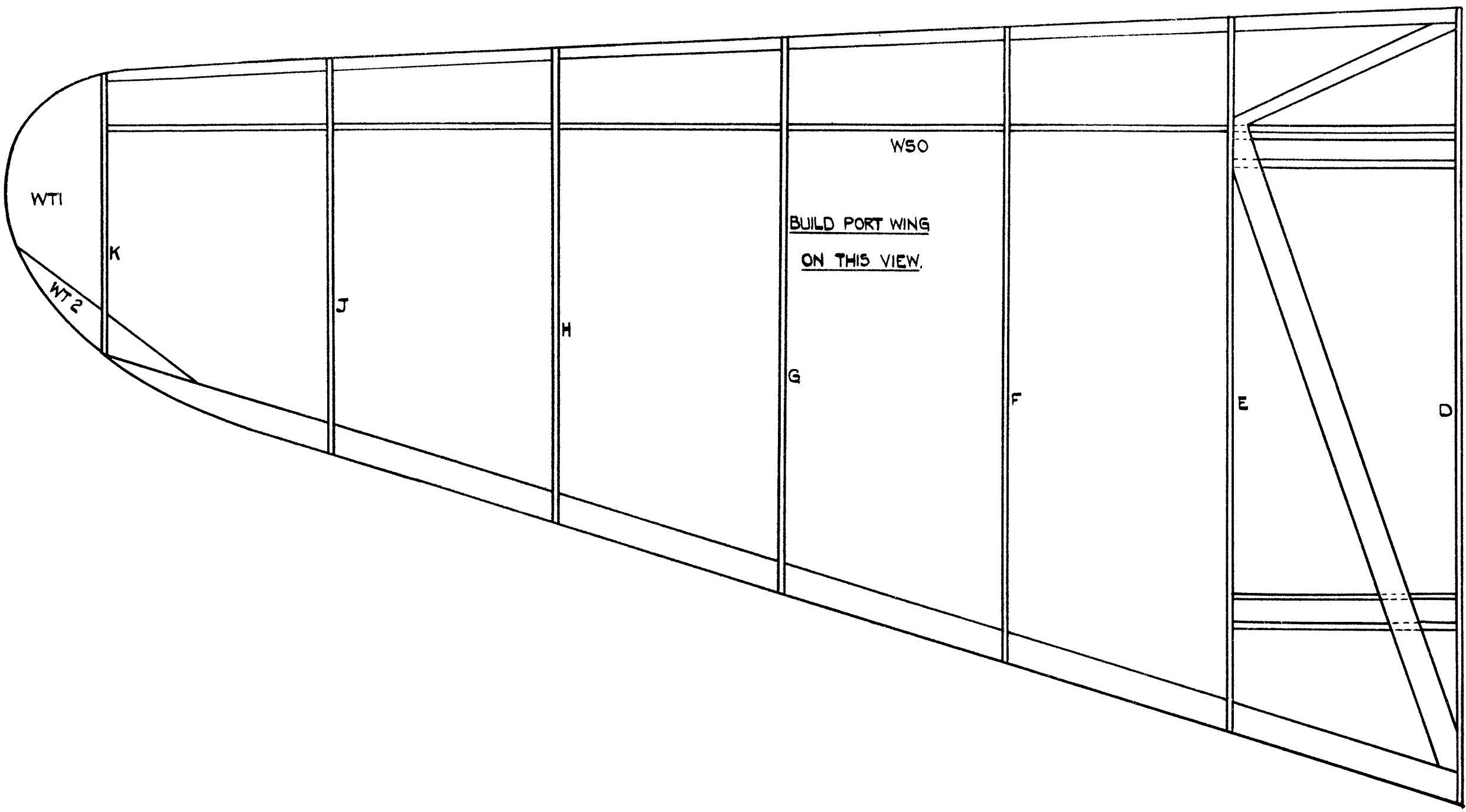


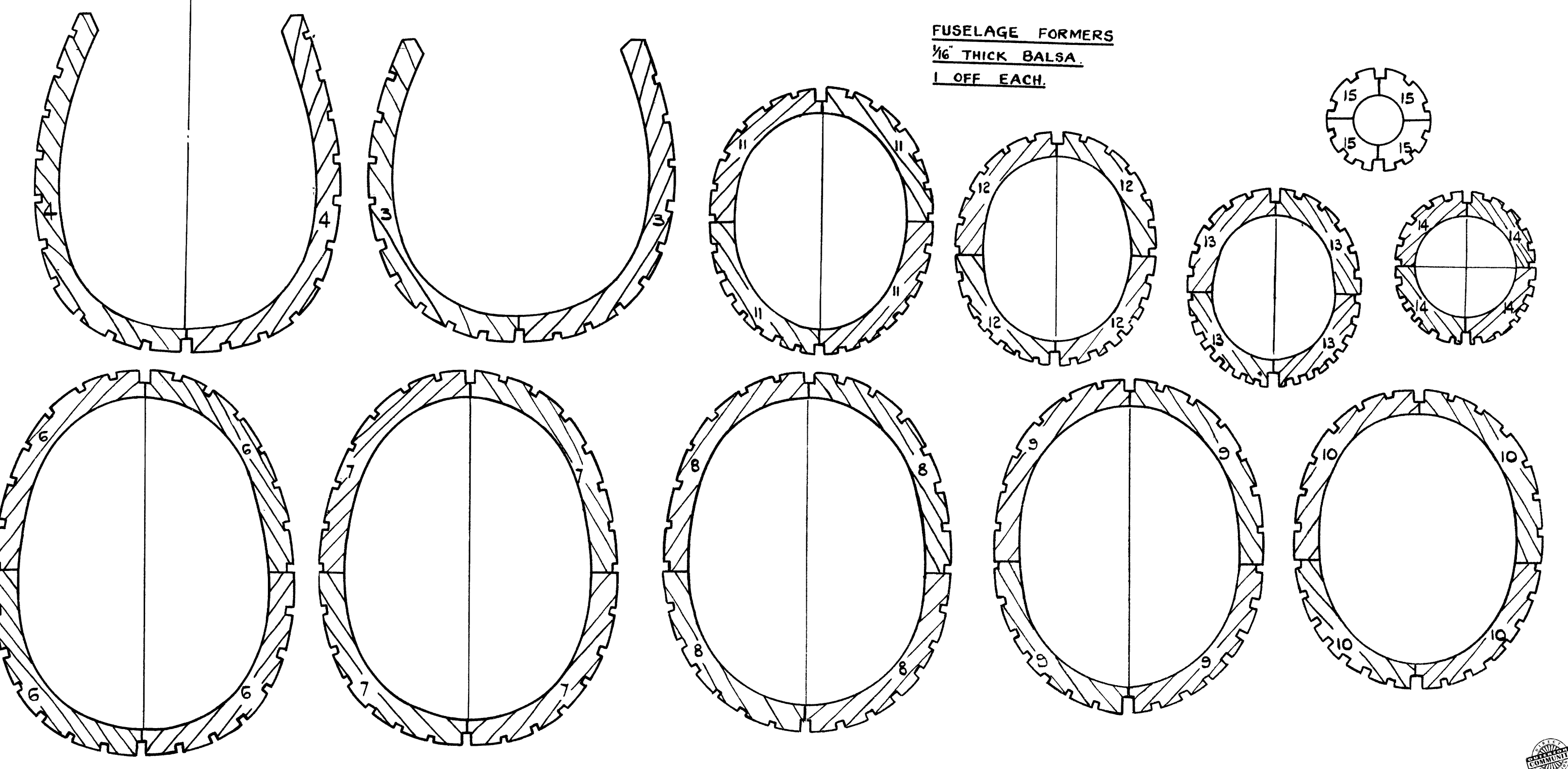
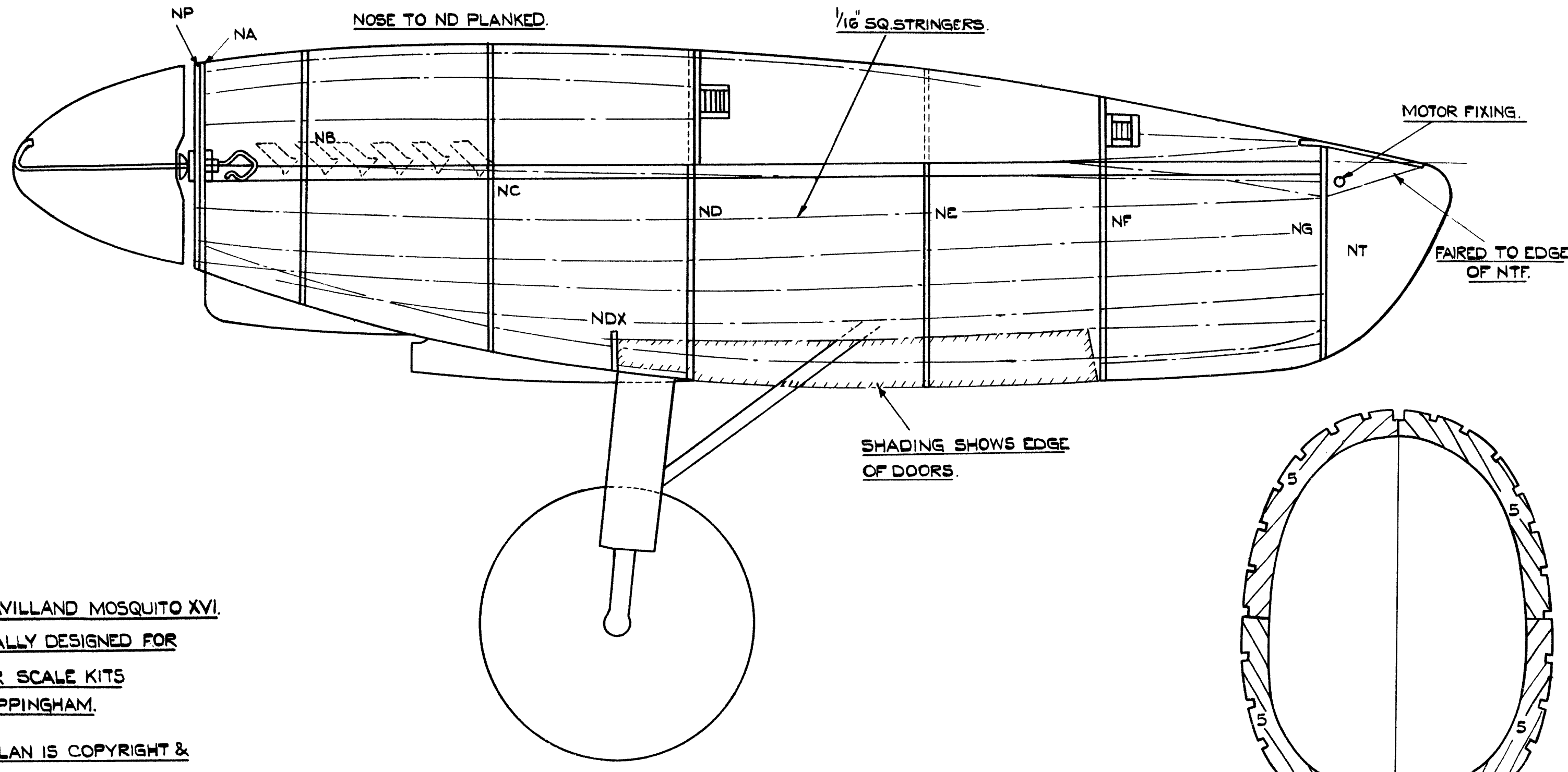
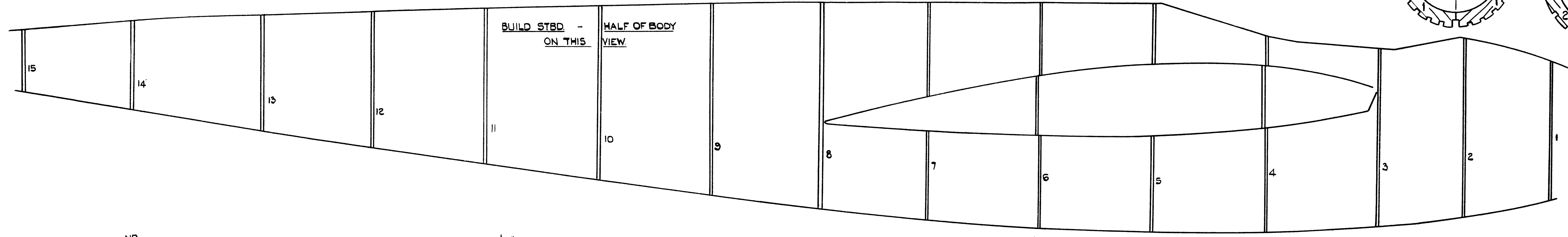
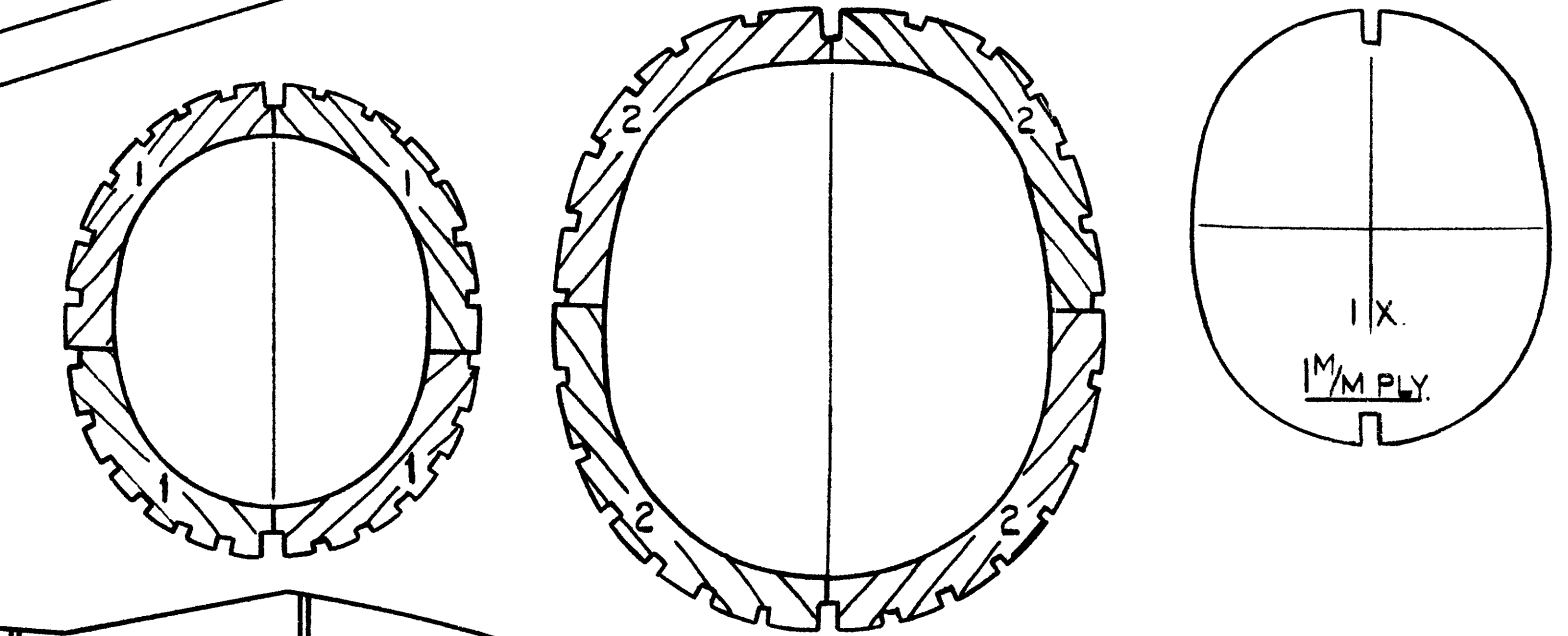
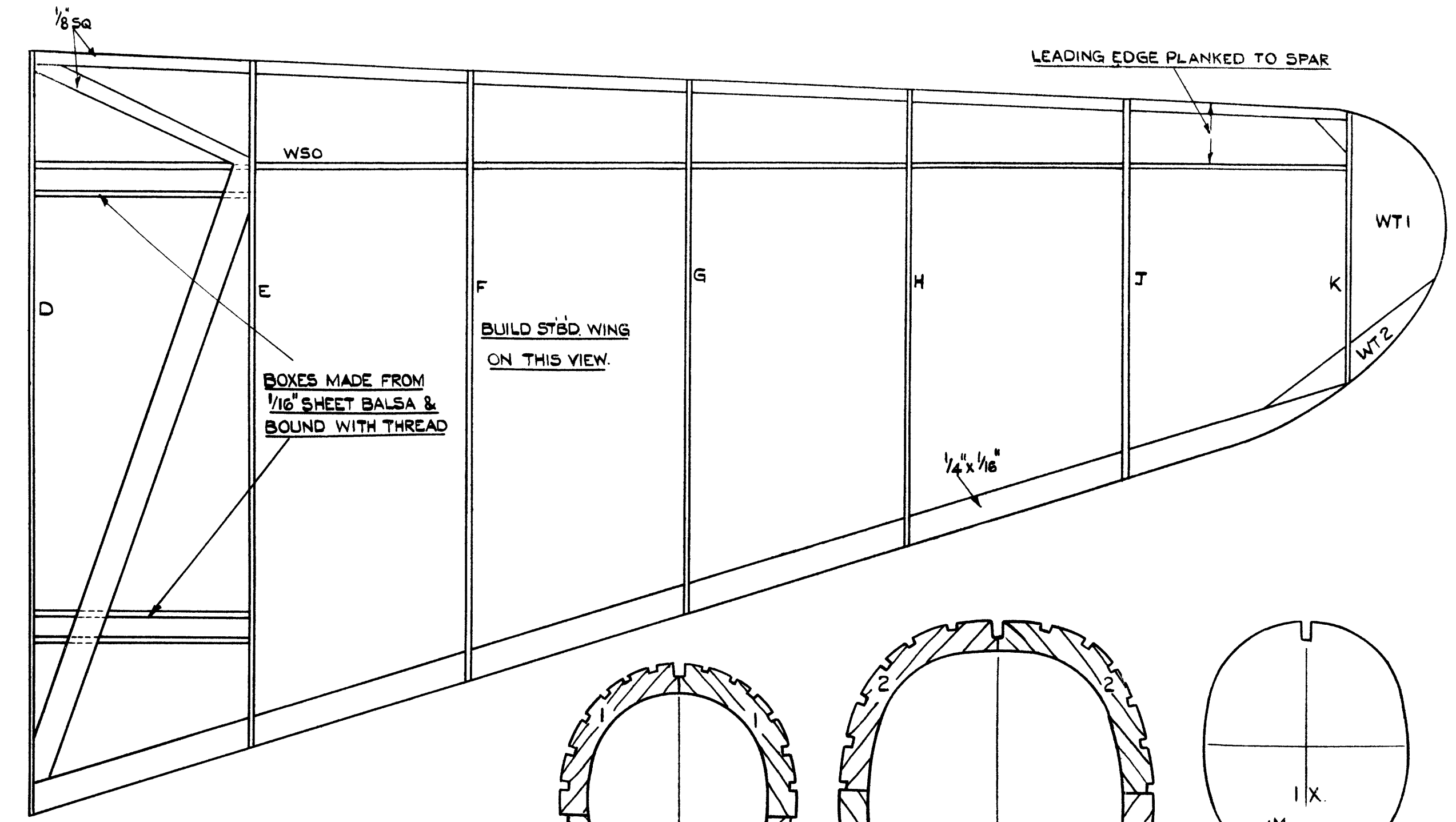
ARCHIVE #005623-1
 COOPERATIVE PLANS SERVICE
 1640 N KELLOGG STREET
 GALESBURG, ILLINOIS 61401, USA
www.co-op-plans.info/co-op.html
 (C)2010 - Not for resale
 RESTORATION BY R. FRIESTAD

DE HAVILLAND MOSQUITO XVI.
 SCALE 3/4" = 1'-0"
 SPECIALLY DESIGNED FOR
 SUPER SCALE KITS. UPPINGHAM
 BY
Howard Boyd
 THIS PLAN IS COPYRIGHT &
 MUST NOT BE REPRODUCED.



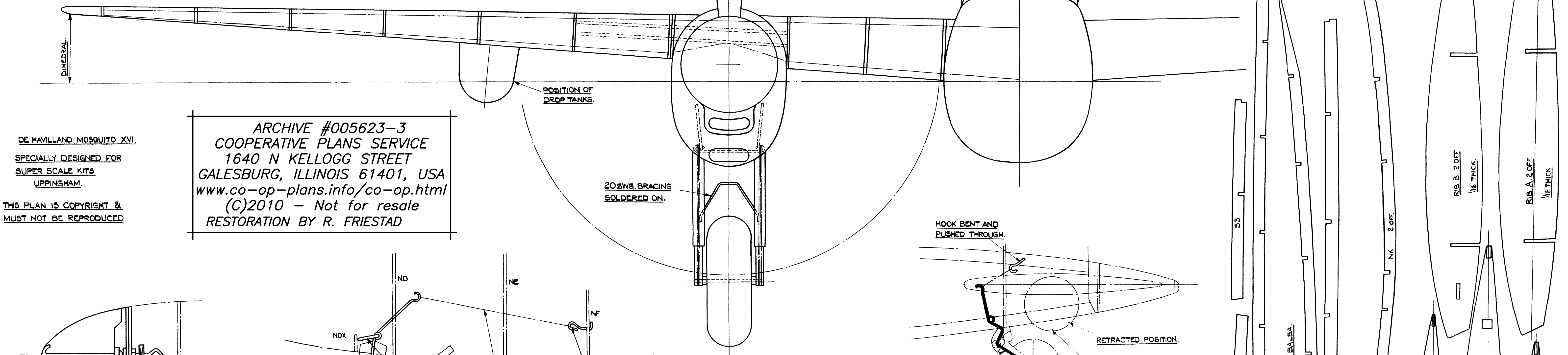
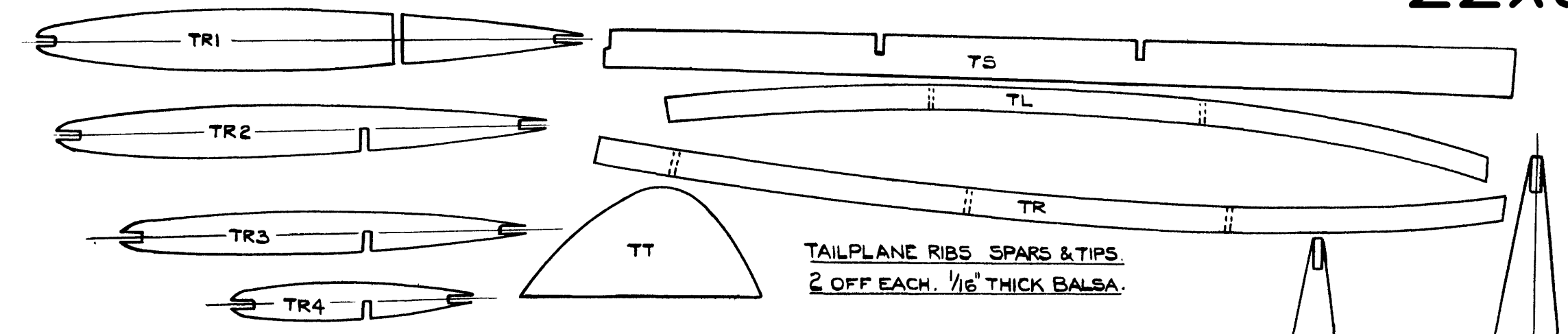
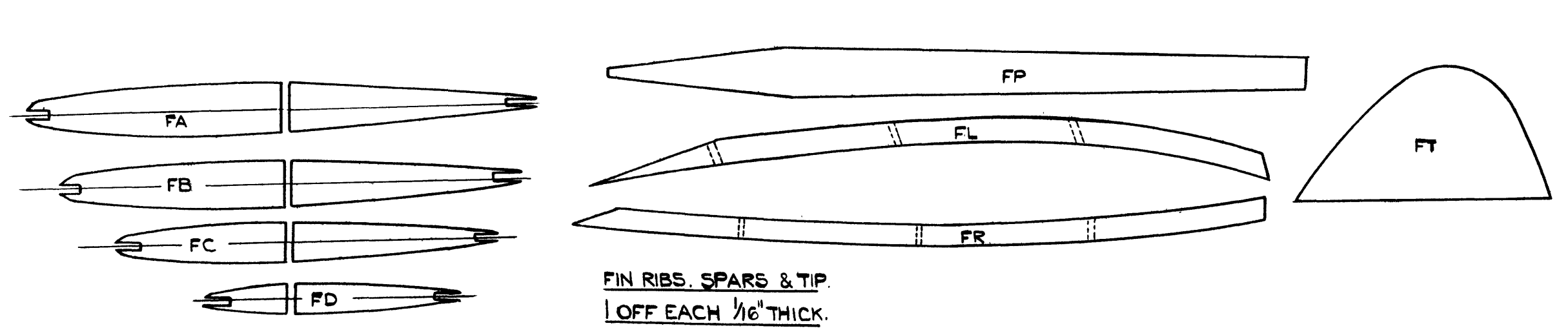


ARCHIVE #005623-2
 COOPERATIVE PLANS SERVICE
 1640 N KELLOGG STREET
 GALESBURG, ILLINOIS 61401, USA
www.co-op-plans.info/co-op.html
 (C)2010 - Not for resale
 RESTORATION BY R. FRIESTAD



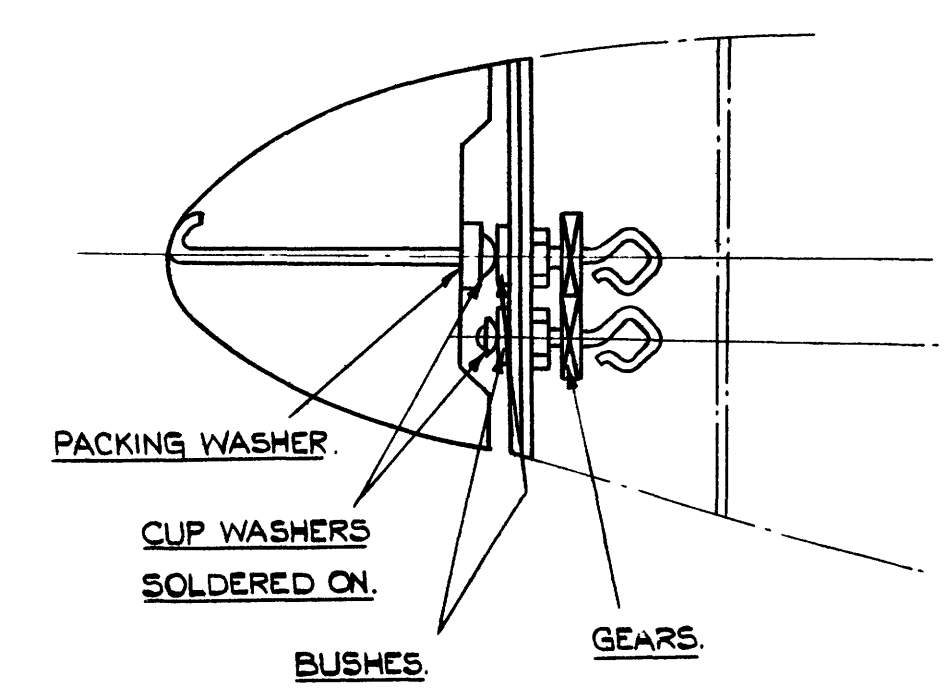
DE HAVILLAND MOSQUITO XVI.
 SPECIALLY DESIGNED FOR
 SUPER SCALE KITS
 UPPINGHAM.
 THIS PLAN IS COPYRIGHT &
 MUST NOT BE REPRODUCED.



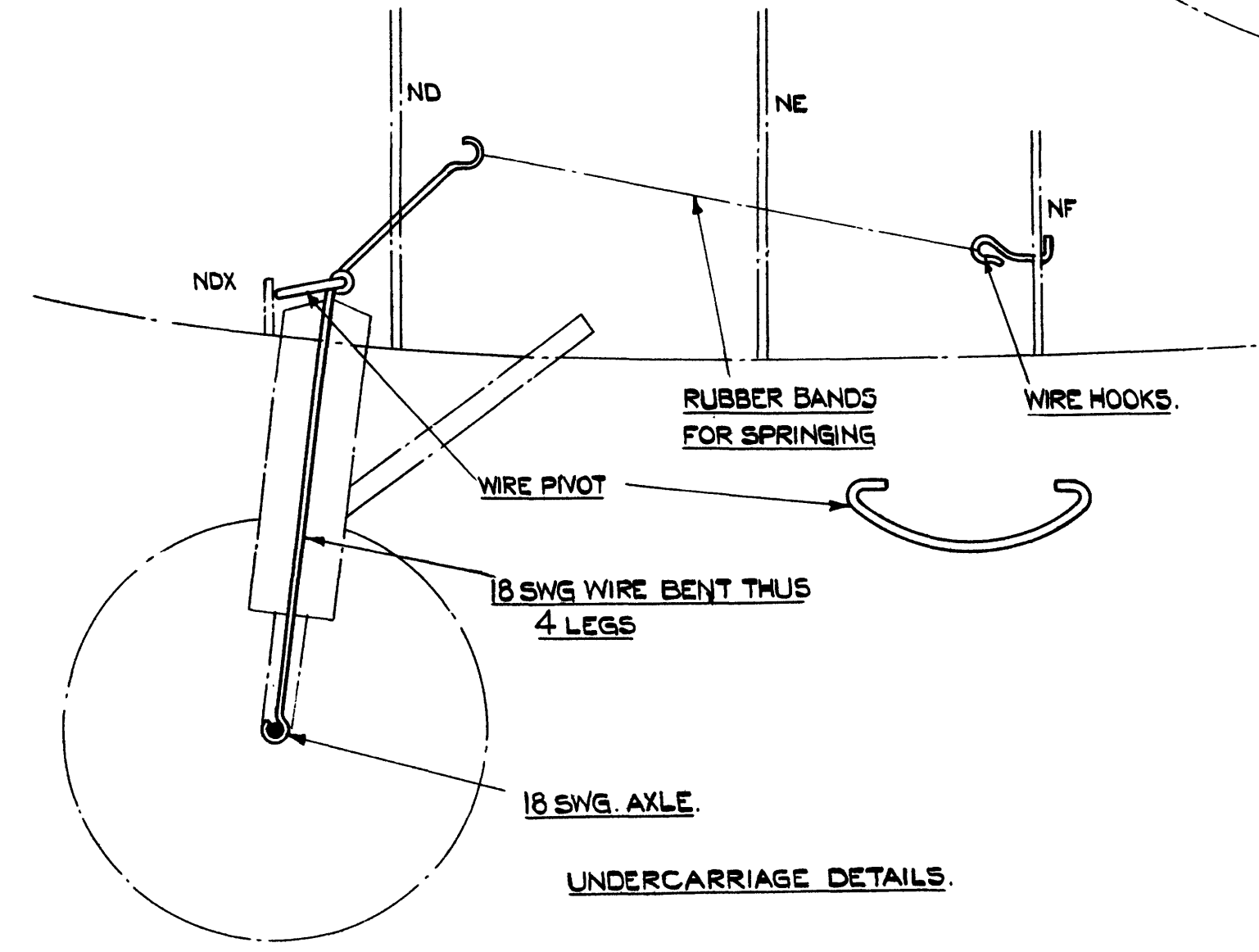


ARCHIVE #005623-3
COOPERATIVE PLANS SERVICE
1640 N KELLOGG STREET
GALESBURG, ILLINOIS 61401, USA
www.co-op-plans.info/co-op.html
(C)2010 - Not for resale
RESTORATION BY R. FRIESTAD

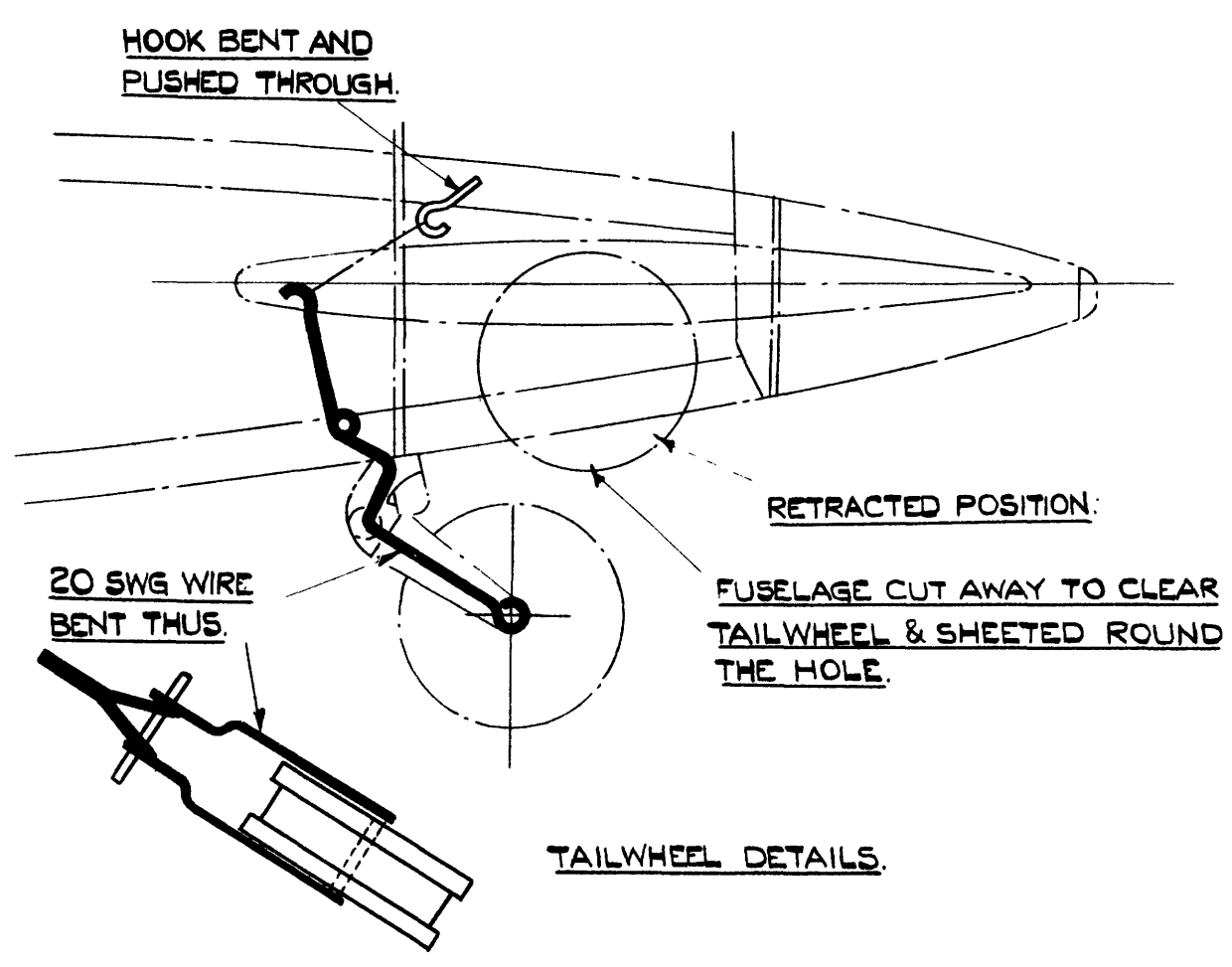
DE HAVILLAND MOSQUITO XVI.
SPECIALLY DESIGNED FOR
SUPER SCALE KITS
UPPINGHAM.
THIS PLAN IS COPYRIGHT &
MUST NOT BE REPRODUCED



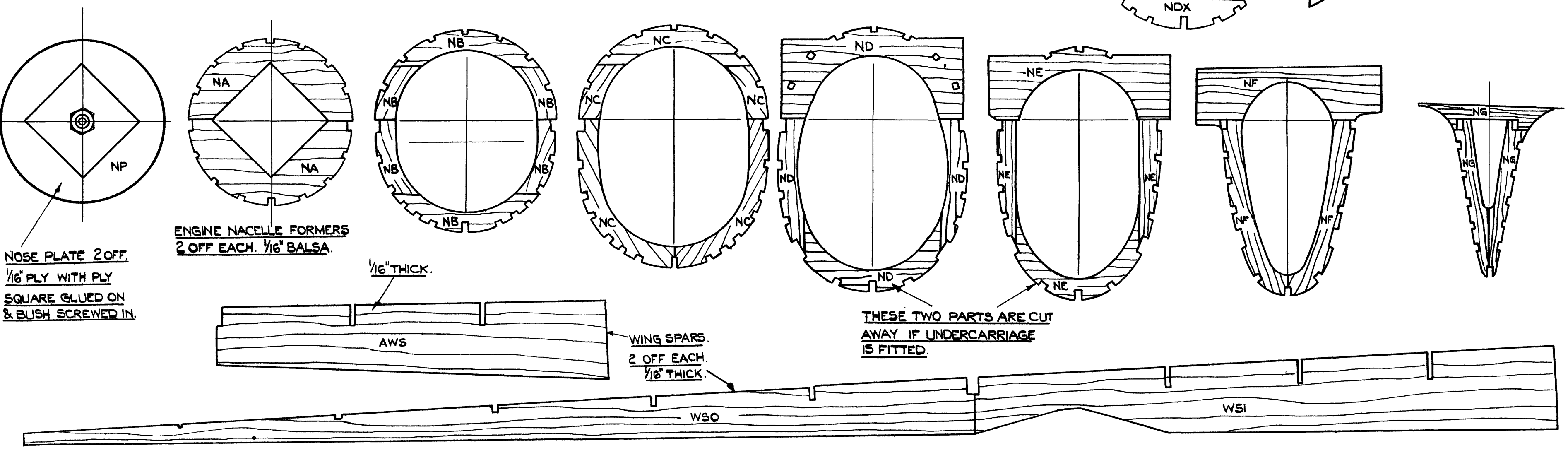
ARRANGEMENT OF
TWIN GEARS.
ALTERNATIVE TO PLAIN
DRIVE FOR LONGER MOTOR
RUN.



UNDERCARRIAGE DETAILS.



TAILWHEEL DETAILS.



NOSE PLATE 2 OFF
1/16" PLY WITH PLY
SQUARE GLUED ON
& BUSH SCREWED IN.

ENGINE NACELLE FORMERS
2 OFF EACH. 1/16" Balsa.

THESE TWO PARTS ARE CUT
AWAY IF UNDERCARRIAGE
IS FITTED.

DROP TANKS MADE FROM SOLID Balsa
AND HOLLOWED OUT MAY BE FITTED
IF DESIRED. SEE FRONT VIEW.

2 INTAKES THUS. SOLID.

2 INTAKES THUS. SOLID.

