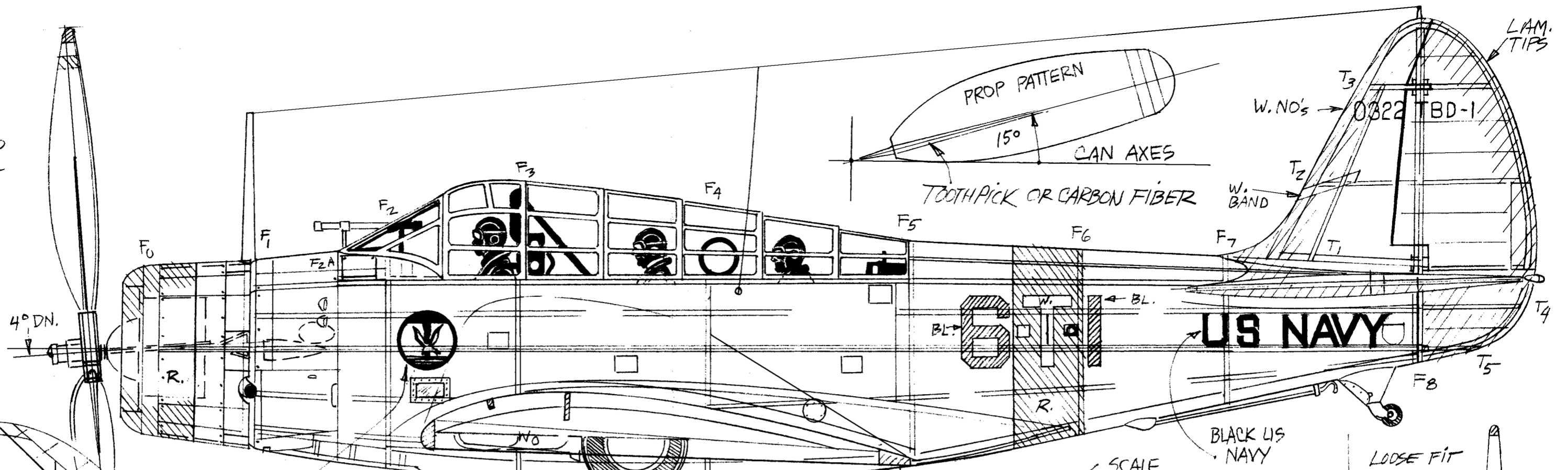


PRATT & WHITNEY
14 CYL. TWIN WASP
RADIAL ENGINE



HORIZ.
LAM. TIPS

BLACK &
BLUE
WHITE
SEAGULL

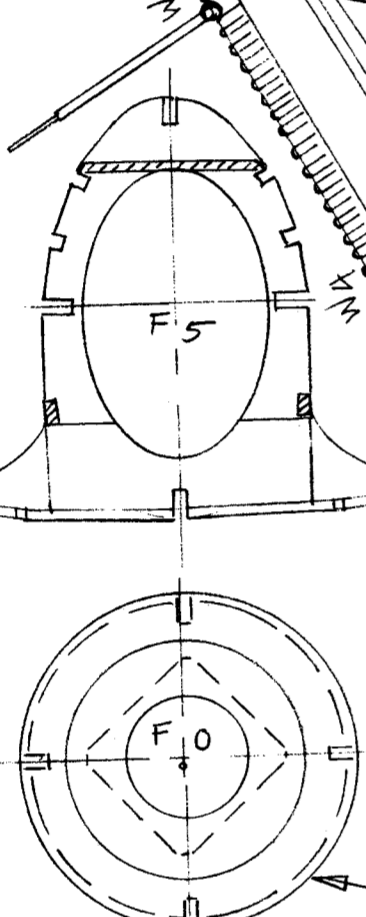
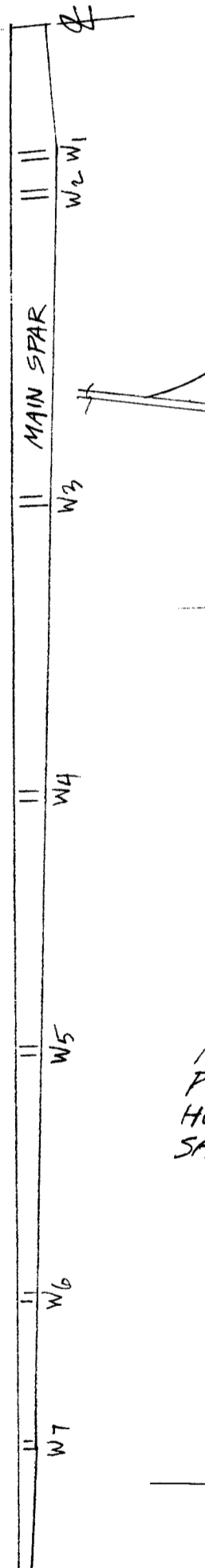
SCALE
OUTLINE

BLACK US
NAVY

LOOSE FIT
ALUM.
TUBE

RUBBER
TUBE
CAPS

1/32
PLYWOOD



SHEET
COWL BET.
F0 & F1 WITH
1/16" SOFT
BALSA

1/32"
PLYWOOD
HUB
SANDWICH

F2A

BLACK WING WALK

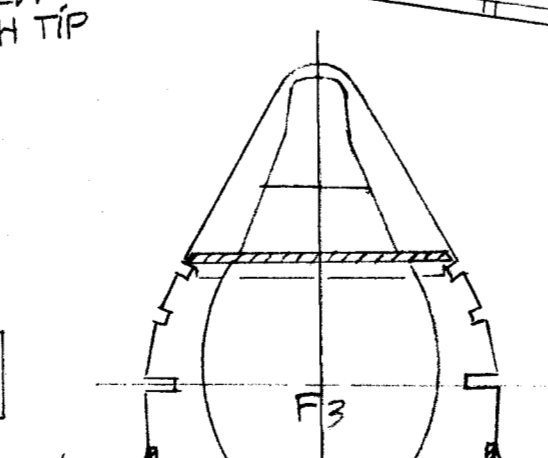
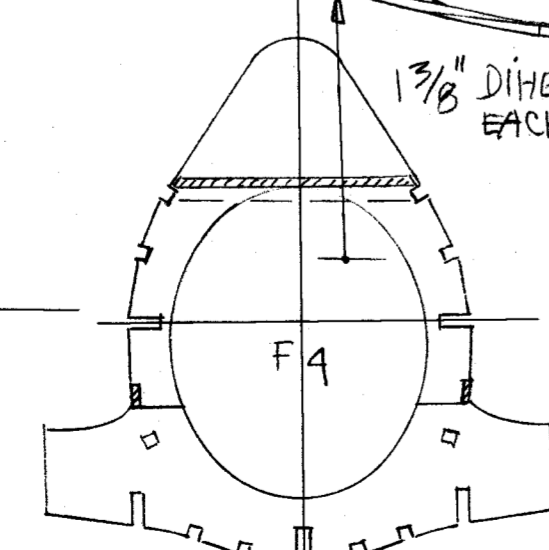
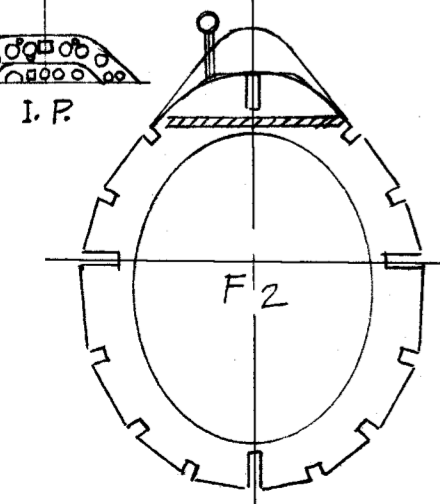
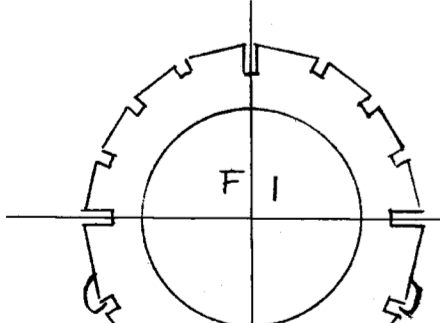
RED BAND

FILLITS 2 REQ'D.

1/30 SOFT SHEET
BALSA

CORRUGATIONS
ON TOP &
BOTTOM IN
POSITION SHOWN

TAIL CORRUGATIONS



COLOR SCHEME:
LIGHT GREY FUSELAGE
& WING UNDERSURFACE
WINGS UPPER SURFACE YELLOW
TAIL SURFACES: BLUE

REF: US NAVY CARRIER BOMBERS OF WWII
SQUADRON/SIGNAL PUBS. 1987
PP. 1-28
COMBAT AIRCRAFT OF WWII 1938-1939
MILITARY PRESS PUBS. 1987 P. 58

DOUGLAS TBD DEVASTATOR
20 3/4" WINGSPAN
SCALE: 3/8" = 1'-0"
BY PRES BRUNING

