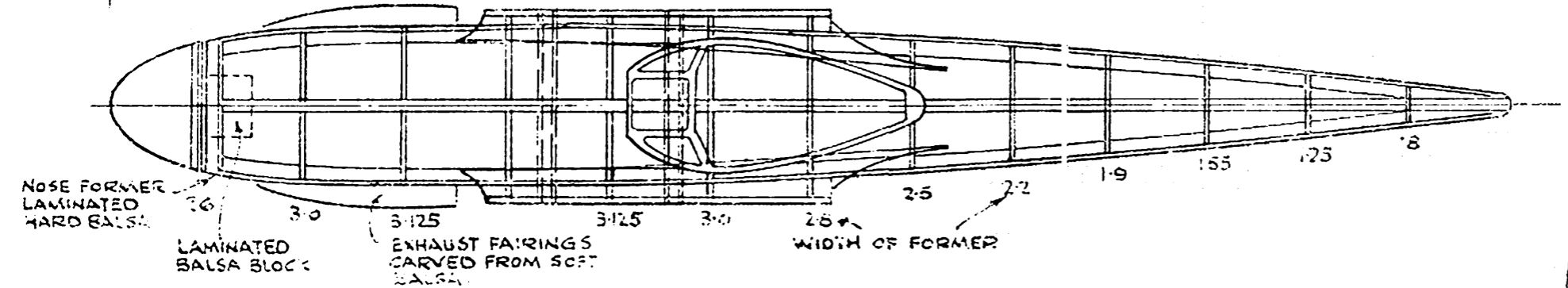
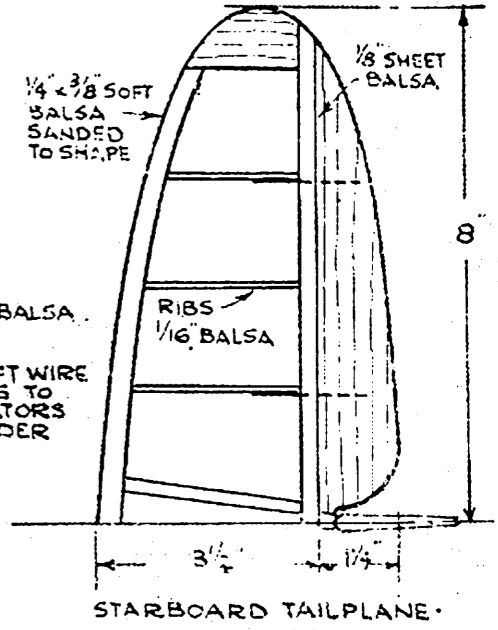
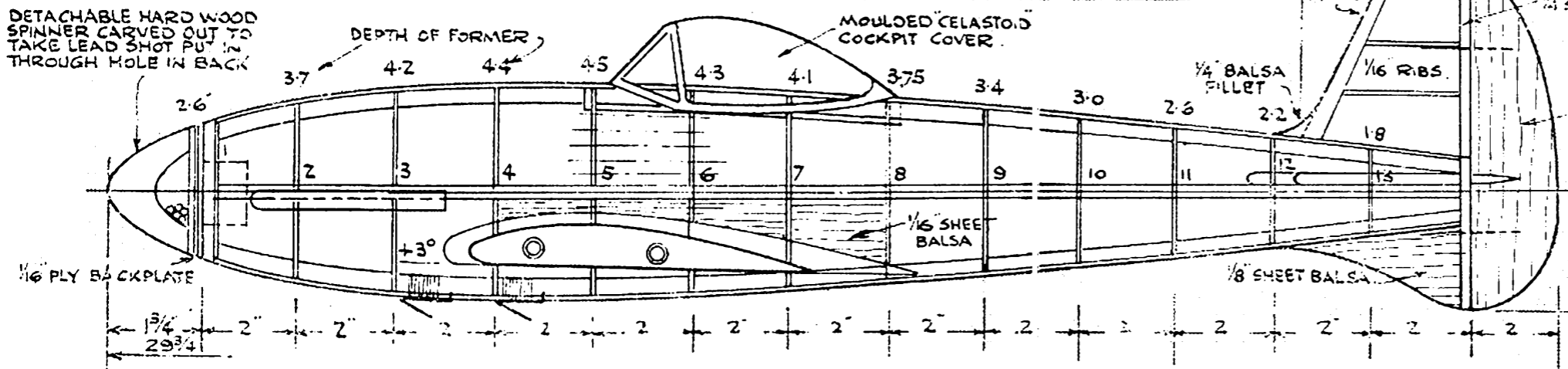


The "FIGHTER" GLIDER
DESIGNED BY
"F/Lt"

ROOT RIB - FULL SIZE

SCALE: 1/3 FULL SIZE

DETACHABLE HARD WOOD SPINNER CARVED OUT TO TAKE LEAD SHOT PUT IN THROUGH HOLE IN BACK



WING AREA 1 1/2 SQ. FT.
TOTAL WEIGHT 12 OZS.
WING LOADING 8 OZS./SQ. FT.

SPAN 42"
LENGTH 29 3/4"

