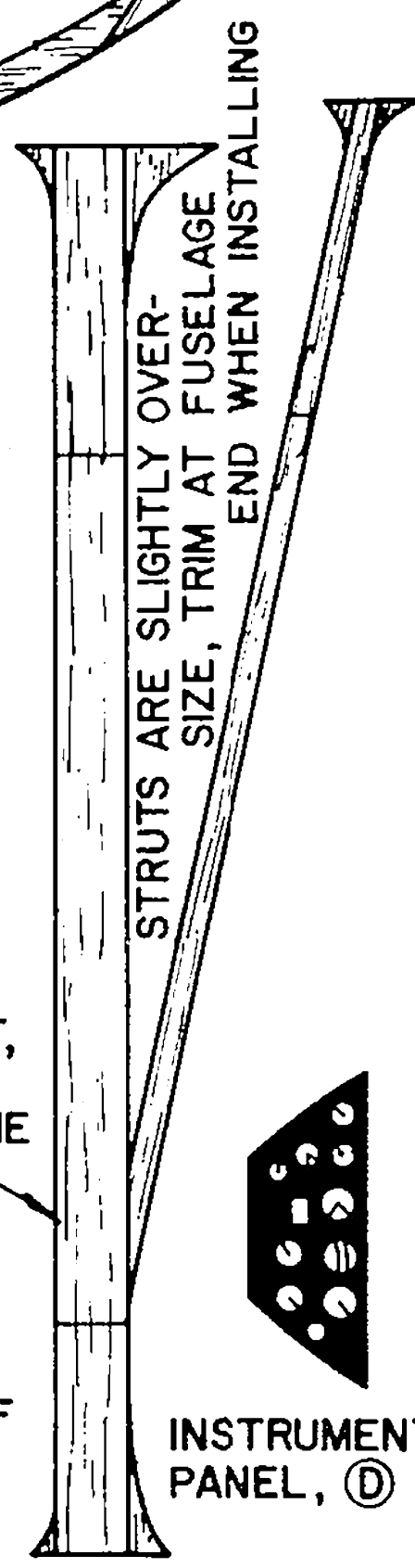
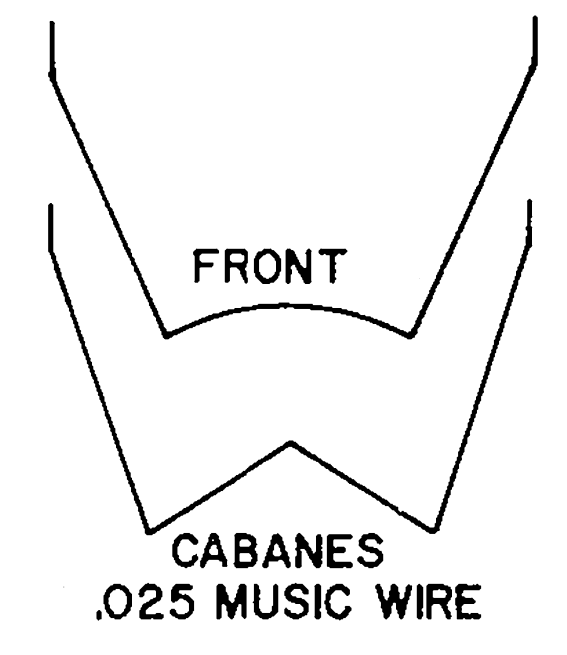
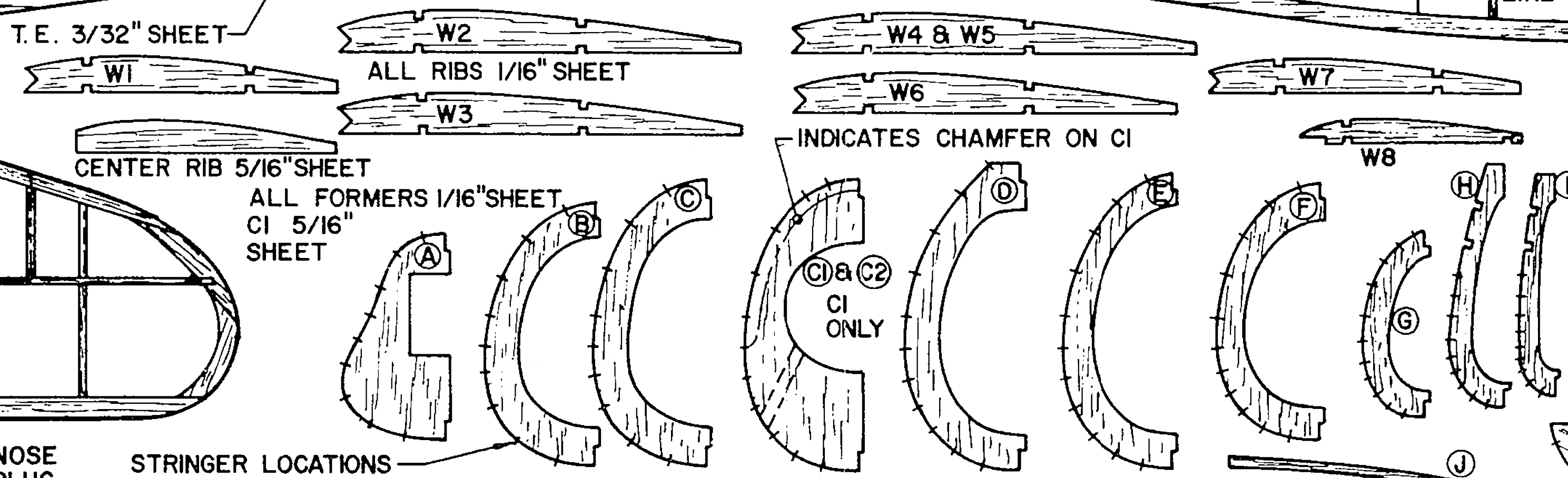
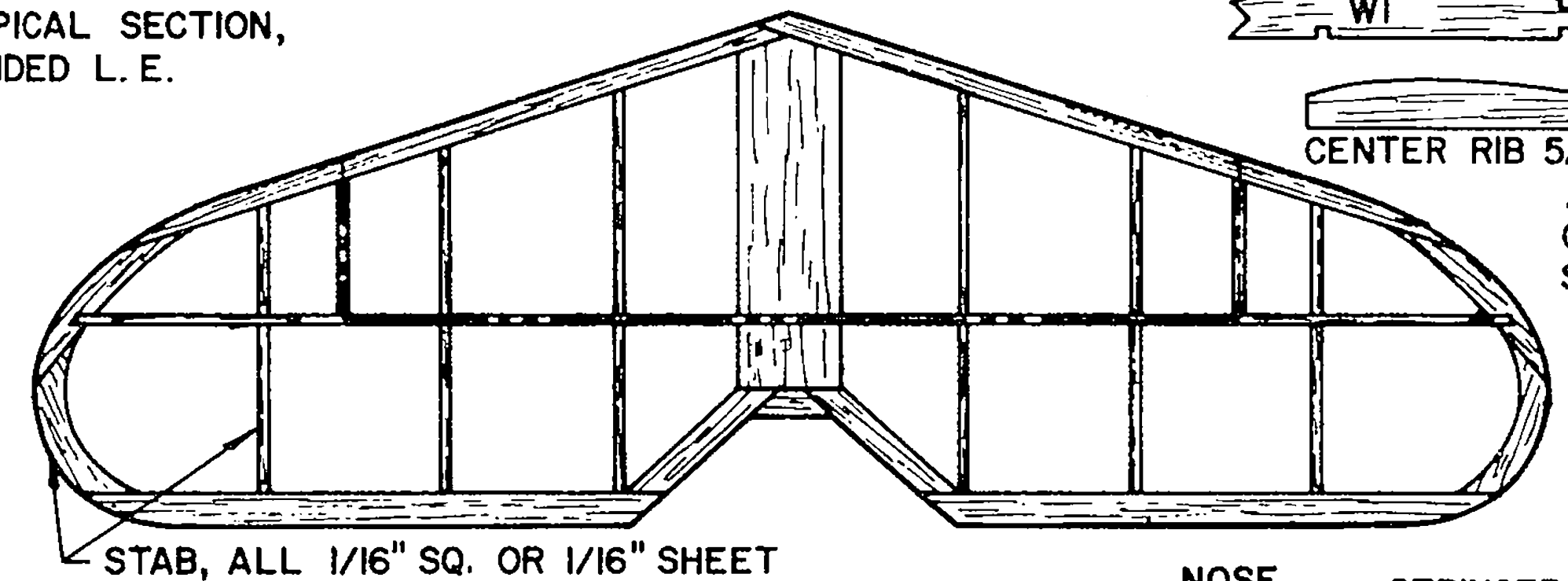
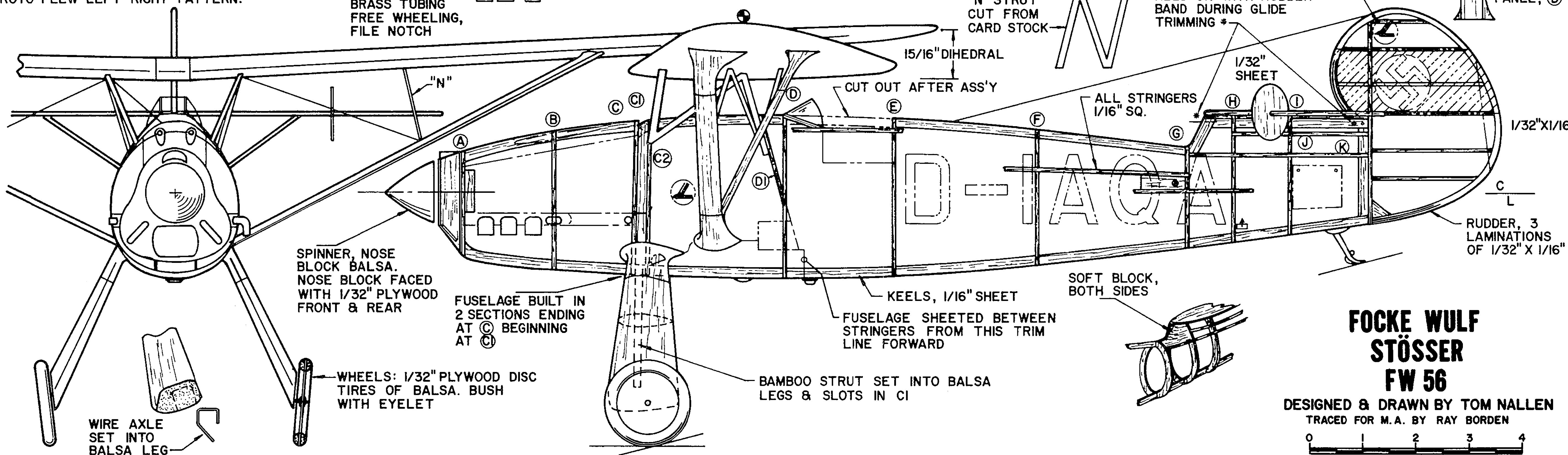
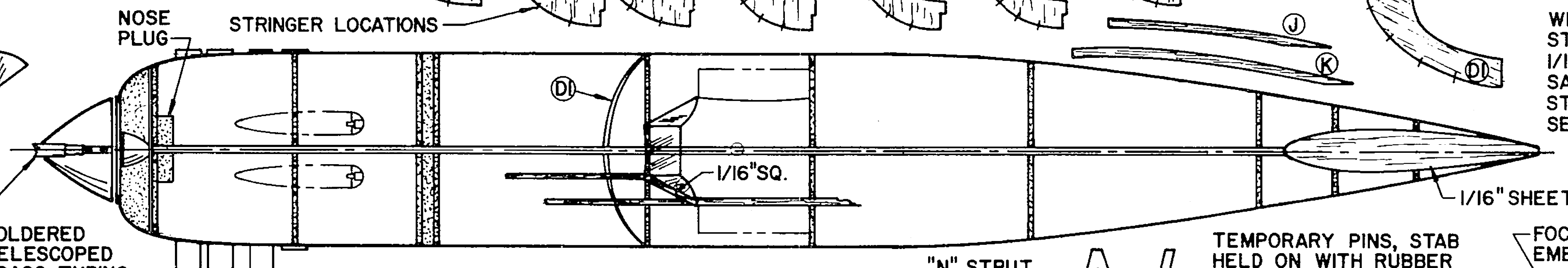


TYPICAL SECTION, SANDED L. E.



COLOR SCHEME:
 SILVER OVERALL, LETTERING, EXHAUST STACKS & WHEELS, BLACK. RED BAND ACROSS RUDDER & FIN. BLACK SWASTIKA ON WHITE FIELD.

SCALE REFERENCE:
 JULY 1967 AEROMODELLER
 FOCKE WULFE, AN AIRCRAFT ALBUM - ARCO #7
 9"DIA. PROP & 2 LOOPS 3/16" RUBBER 28" LONG
 PROTO FLEW LEFT-RIGHT PATTERN.



**FOCKE WULF
 STÖSSER
 FW 56**

DESIGNED & DRAWN BY TOM NALLEN
 TRACED FOR M.A. BY RAY BORDEN

