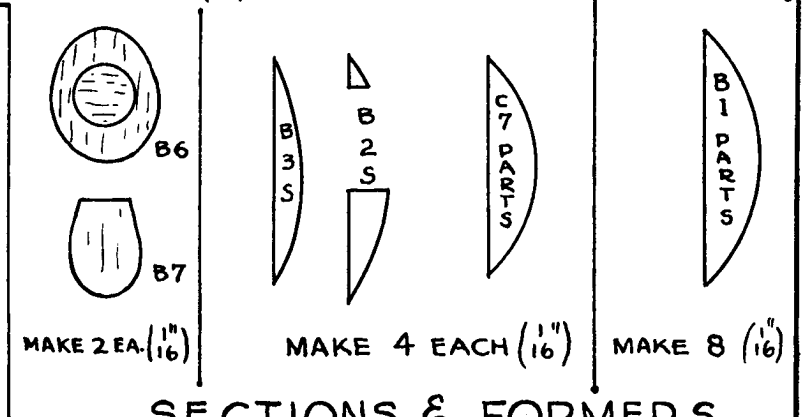
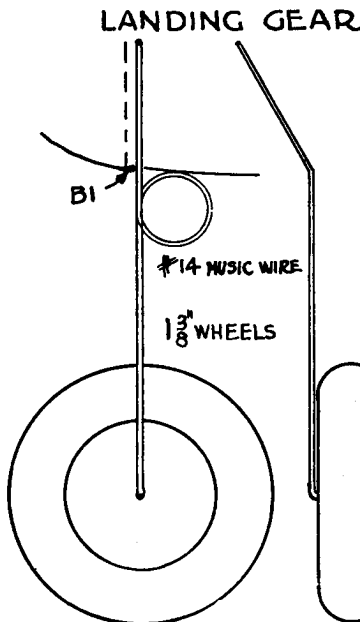
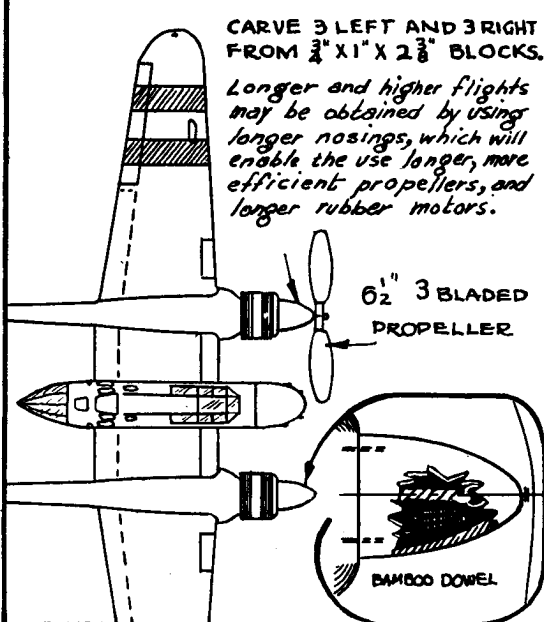


FLYING BLADES BLANK



SECTIONS & FORMERS



BILL BARNES
AIR TRAILS
 FLYING SCALE MODEL
of the
FOKKER G.1.
 BIMOTOR BIFUSELAGE:
 ATTACK PLANE,
 RECONNAISSANCE,
 & LIGHT BOMBER.
 SCALED TO $\frac{1}{2}$ " = 1'-0"

