

LOCKHEED "LIGHTNING"

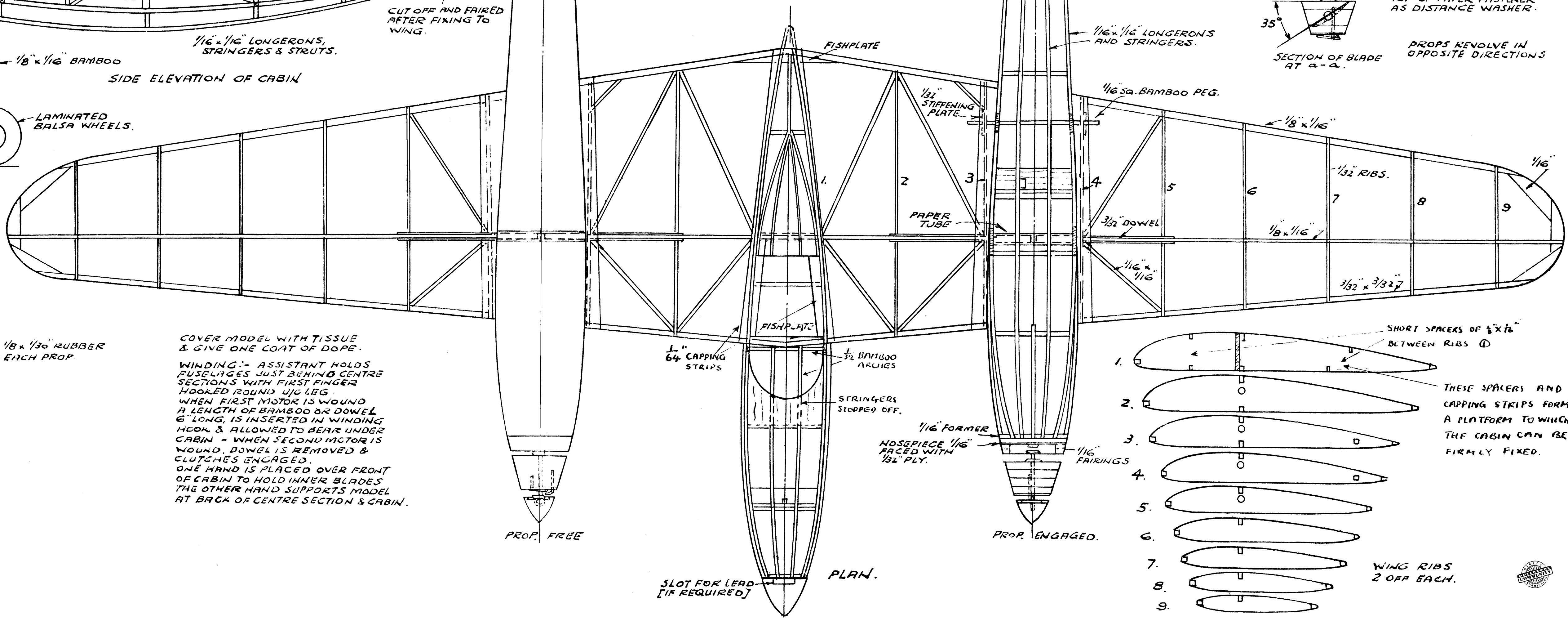
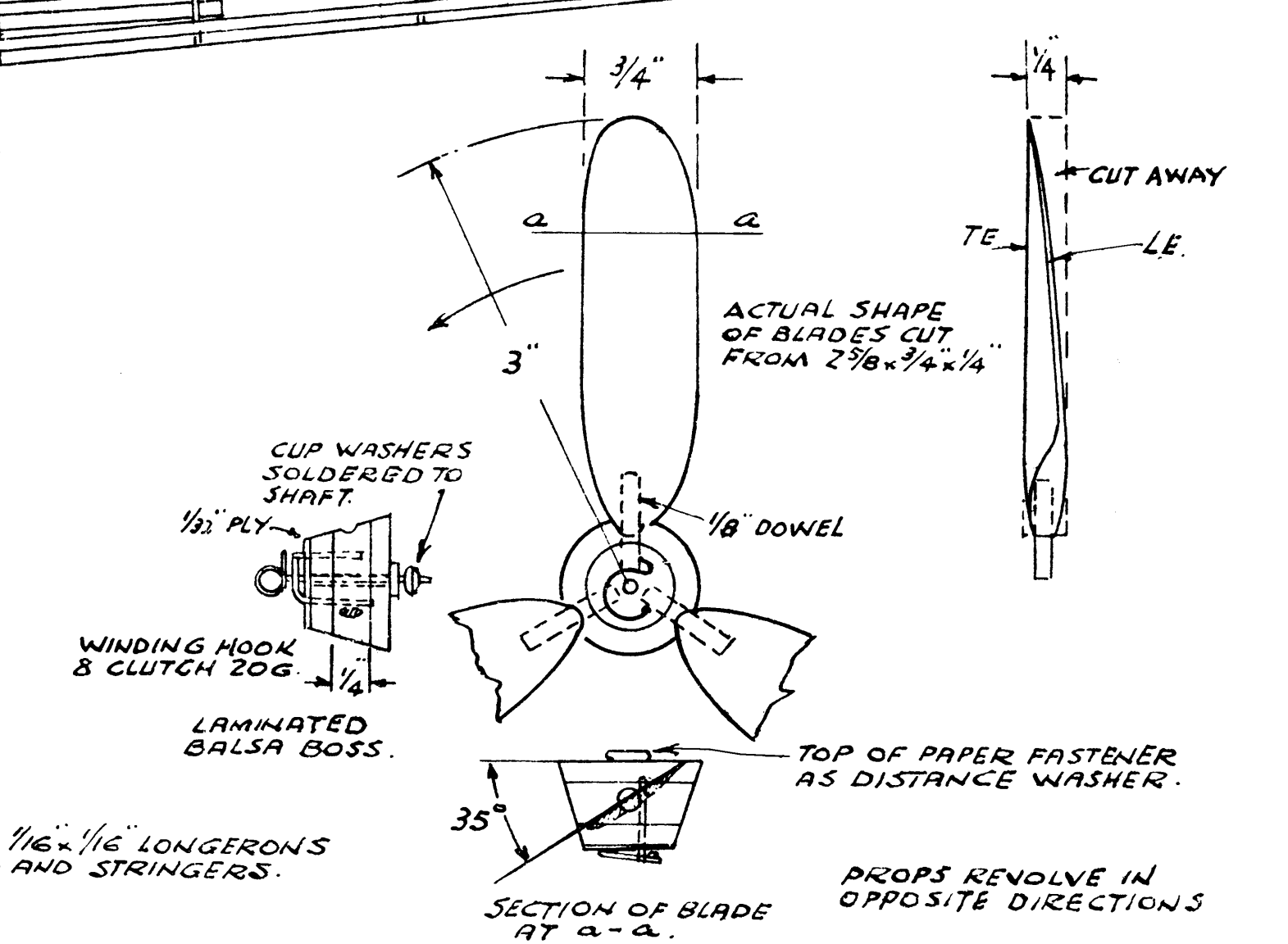
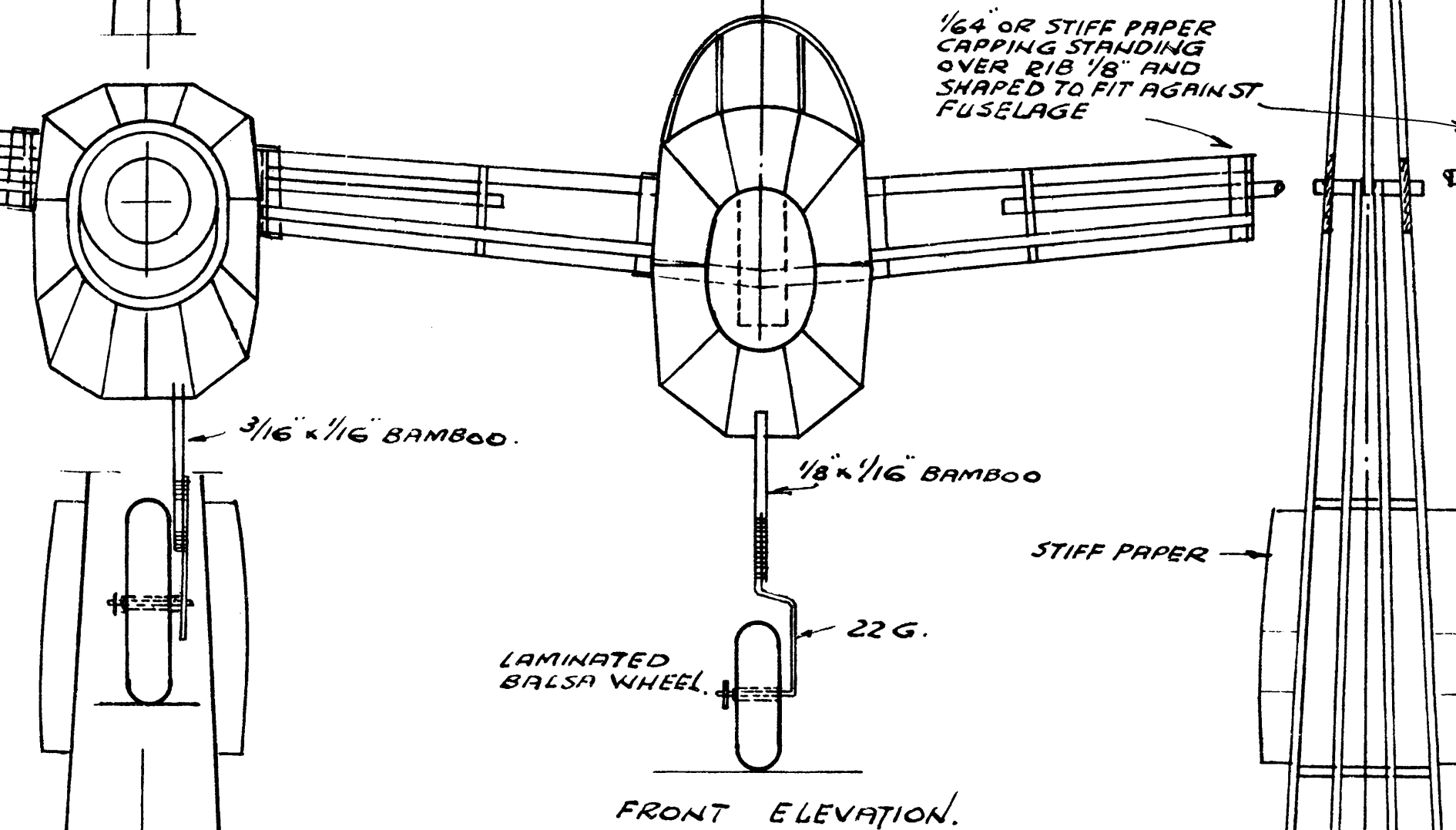
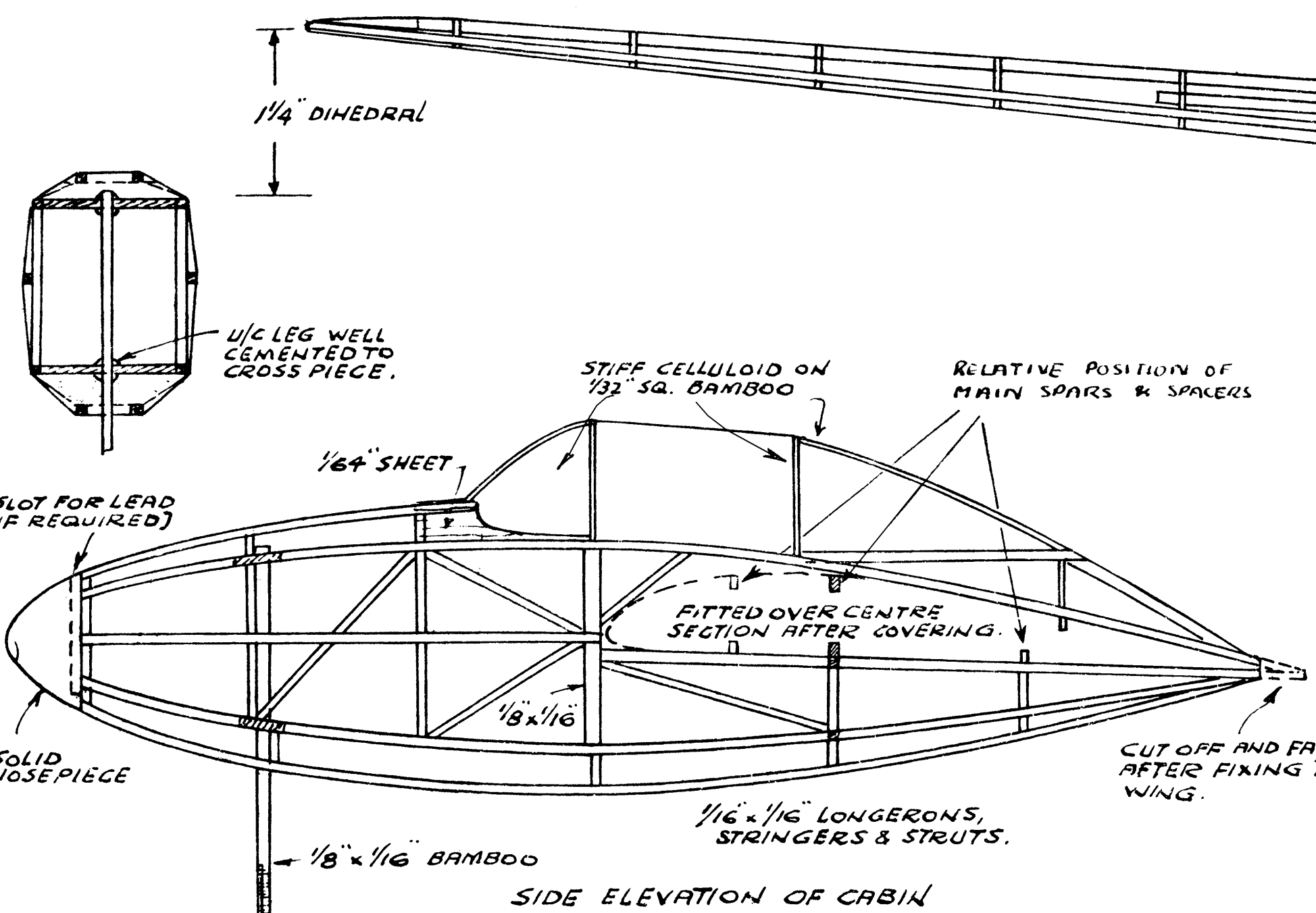
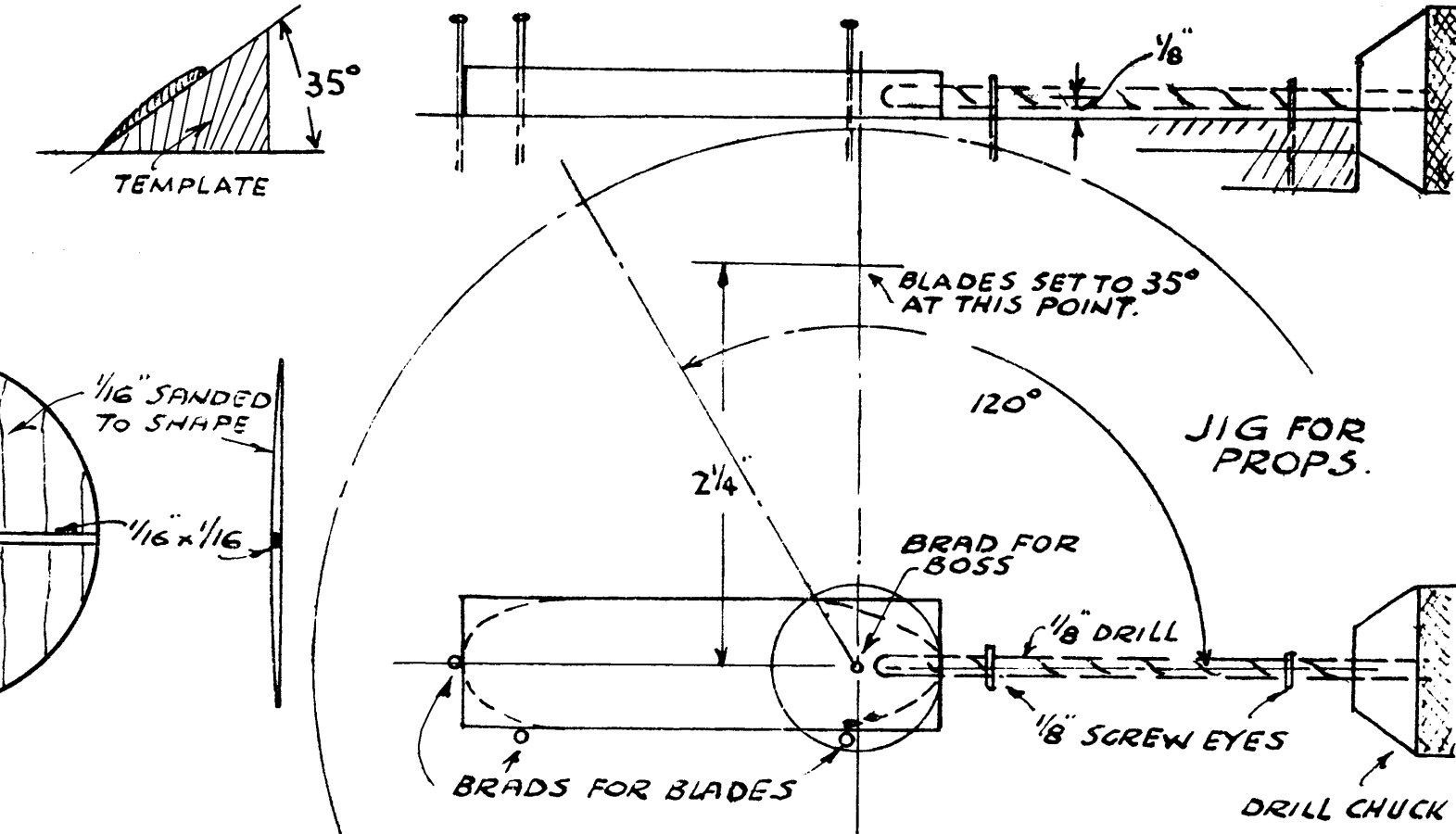
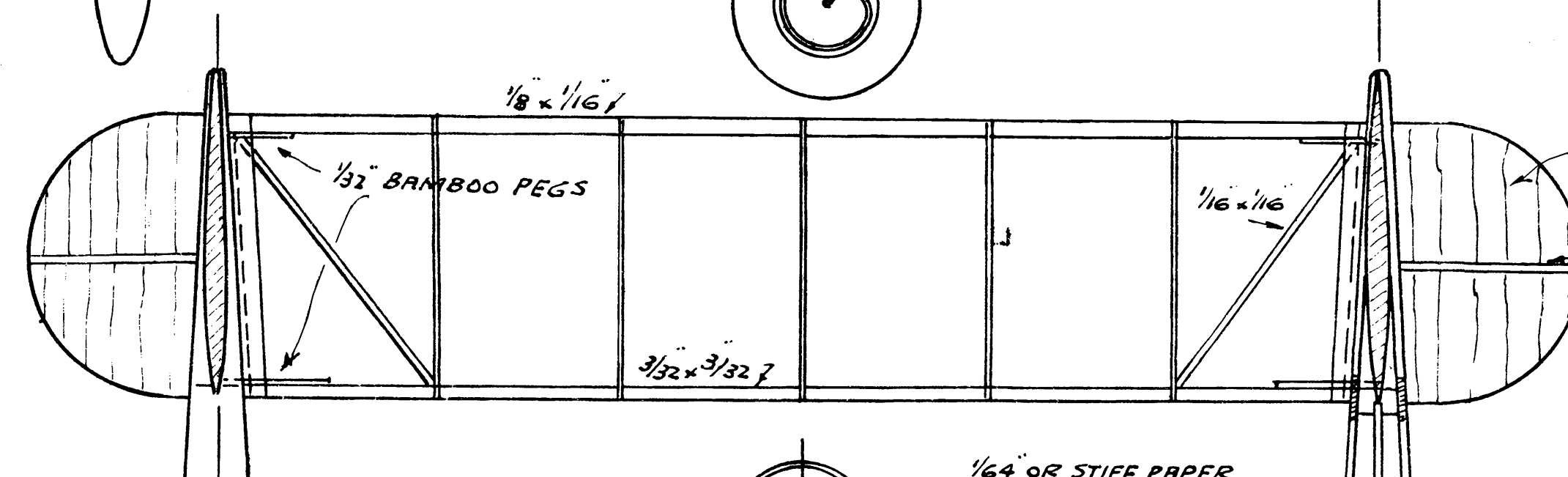
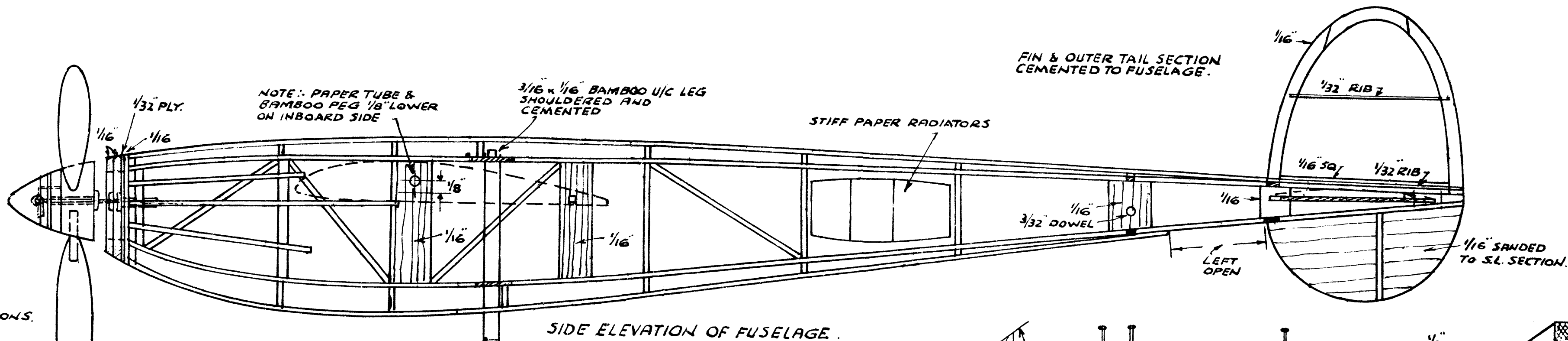
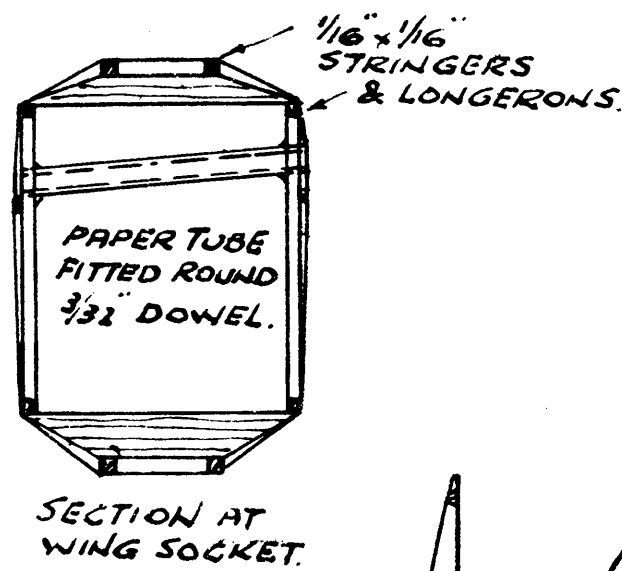
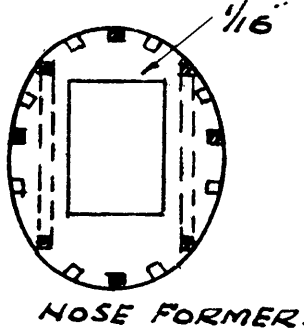
1/2" TO 1 FT. FLYING SCALE MODEL.

DESIGNED BY R. T. HOWSE

COPYRIGHT OF THE AEROMODELLER PLANS SERVICE LTD.
16, CLARENDON ROAD, WATFORD, HERTS.

WEIGHTS:-

FUSELAGE WITH FIN, TAIL EXTENSION & DUMMY RADIATORS	.27
U/C LEG	.08
M.P. PROP & SPINNER	.21
RUBBER & BOBBIN	.17
	.73 x 2 = 1.46
CENTRE SECTION & CABIN	.375
U/C LEG	.045
	.42
OUTER WING PANEL	.09 x 2 = .18
TAIL	.06
	TOTAL 2.12 OZS.



POWER: 4 STRANDS 1/8 x 1/30 RUBBER 18 LONG (ROPE) TO EACH PROP. ABOUT 800 TURNS.

COVER MODEL WITH TISSUE & GIVE ONE COAT OF DOPE.
WINDING:- ASSISTANT HOLDS FUSELAGES JUST BEHIND CENTRE SECTIONS WITH FIRST FINGER HOOKED ROUND U/C LEG WHEN FIRST MOTOR IS WOUND A LENGTH OF BAMBOO OR DOWEL 6" LONG, IS INSERTED IN WINDING HOOK & ALLOWED TO BEAR UNDER CABIN - WHEN SECOND MOTOR IS WOUND, DOWEL IS REMOVED & CLUTCHES ENGAGED. ONE HAND IS PLACED OVER FRONT OF CABIN TO HOLD INNER BLADES THE OTHER HAND SUPPORTS MODEL AT BACK OF CENTRE SECTION & CABIN.

