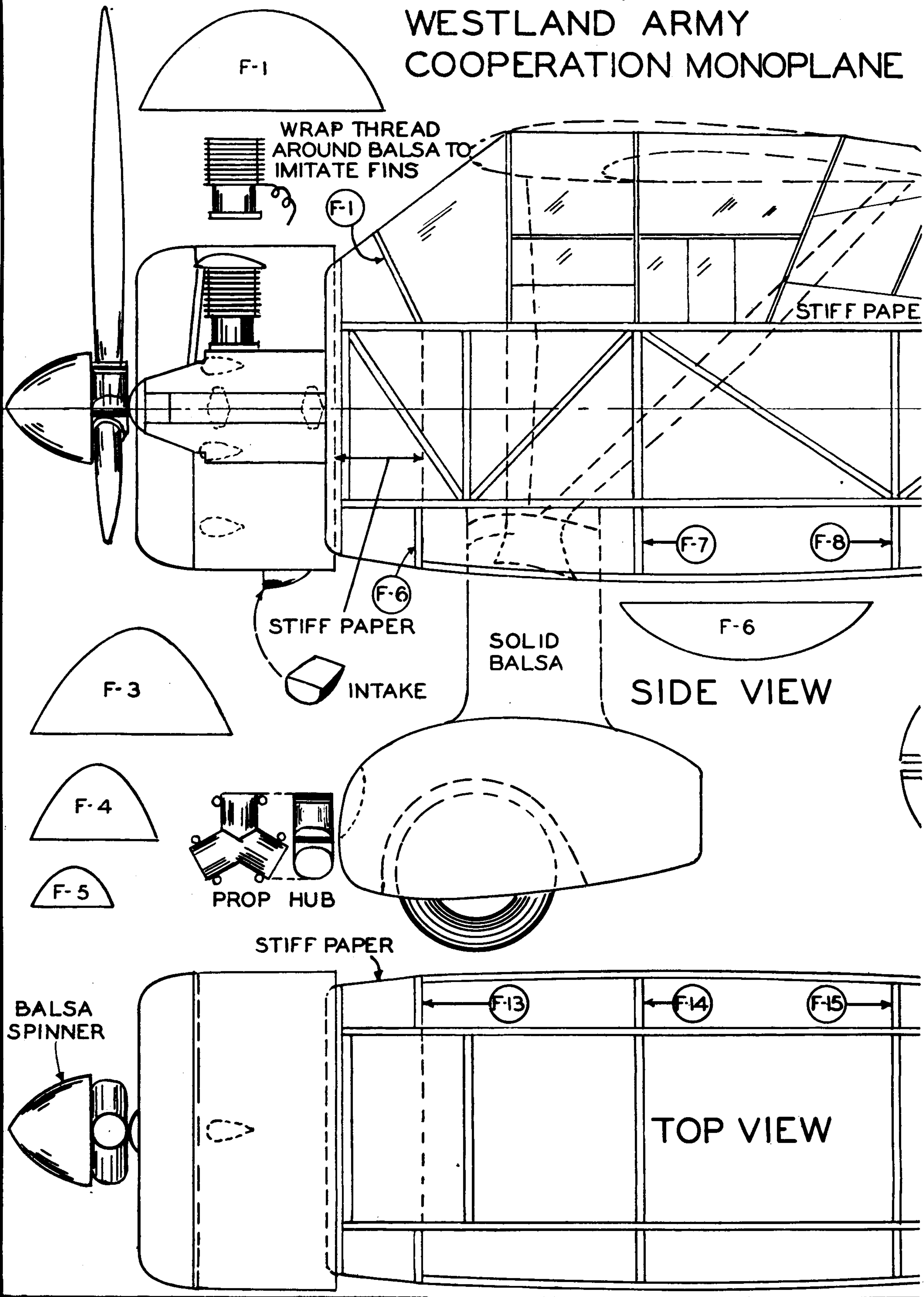
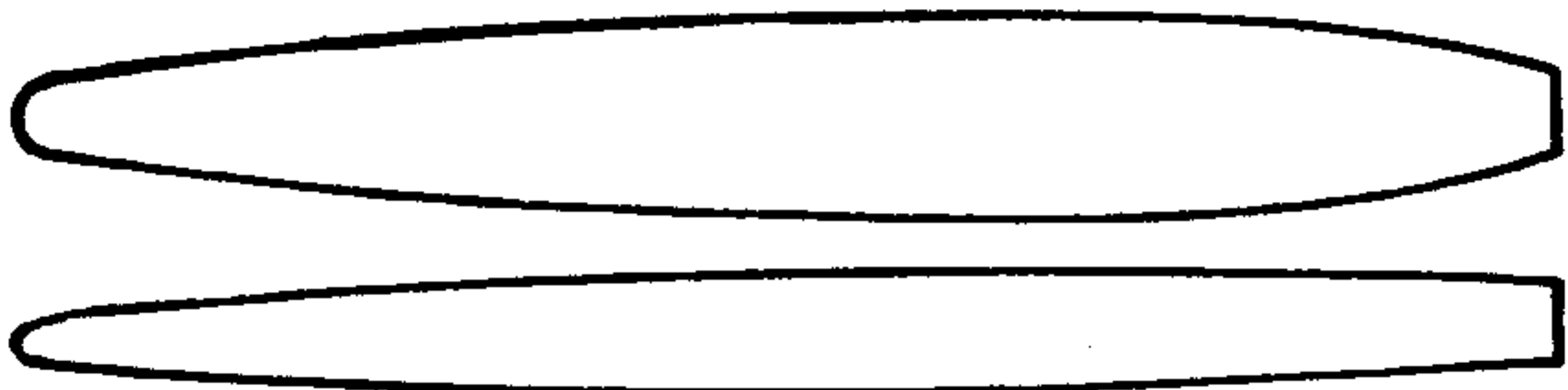


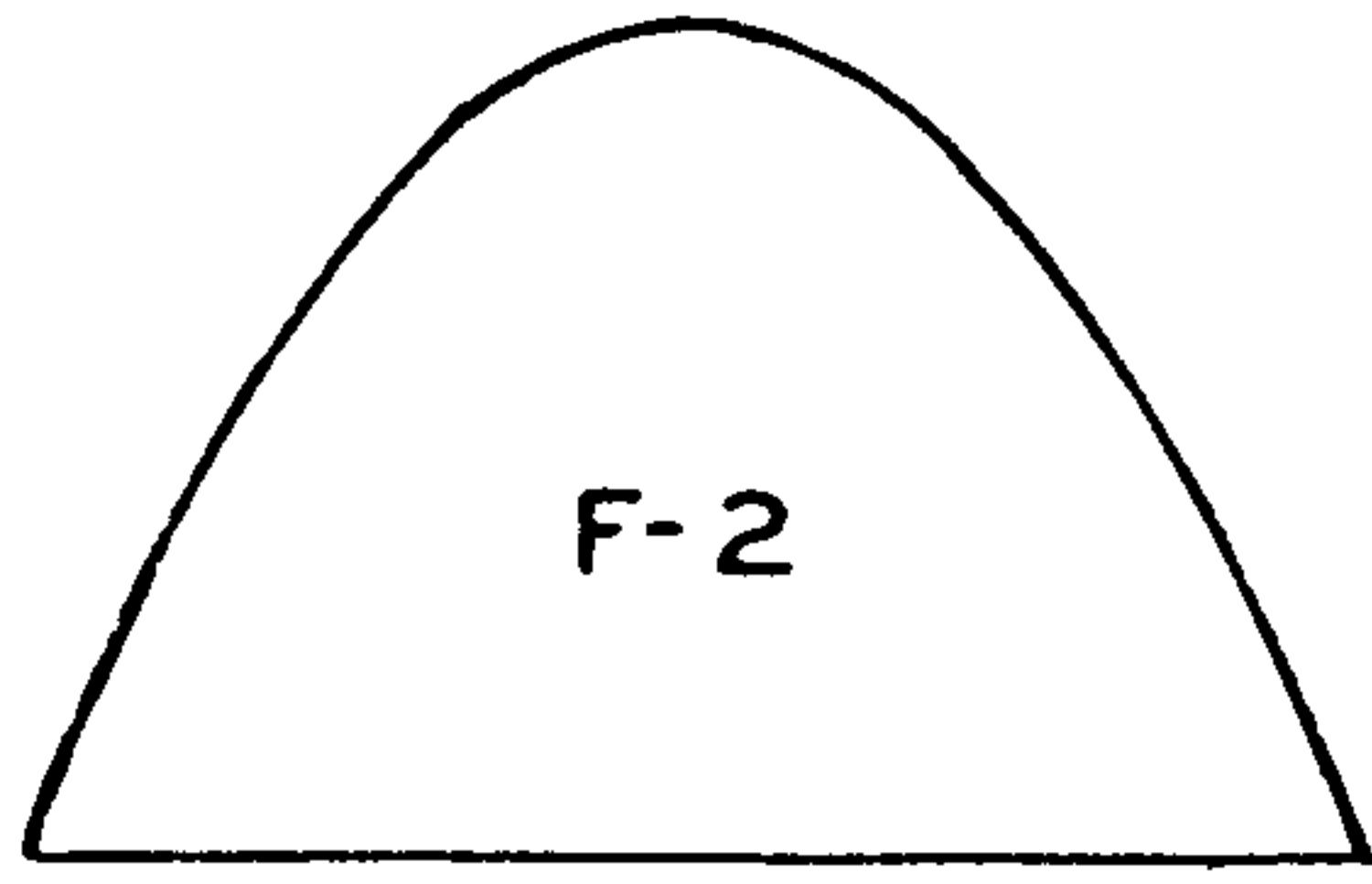
# WESTLAND ARMY COOPERATION MONOPLANE





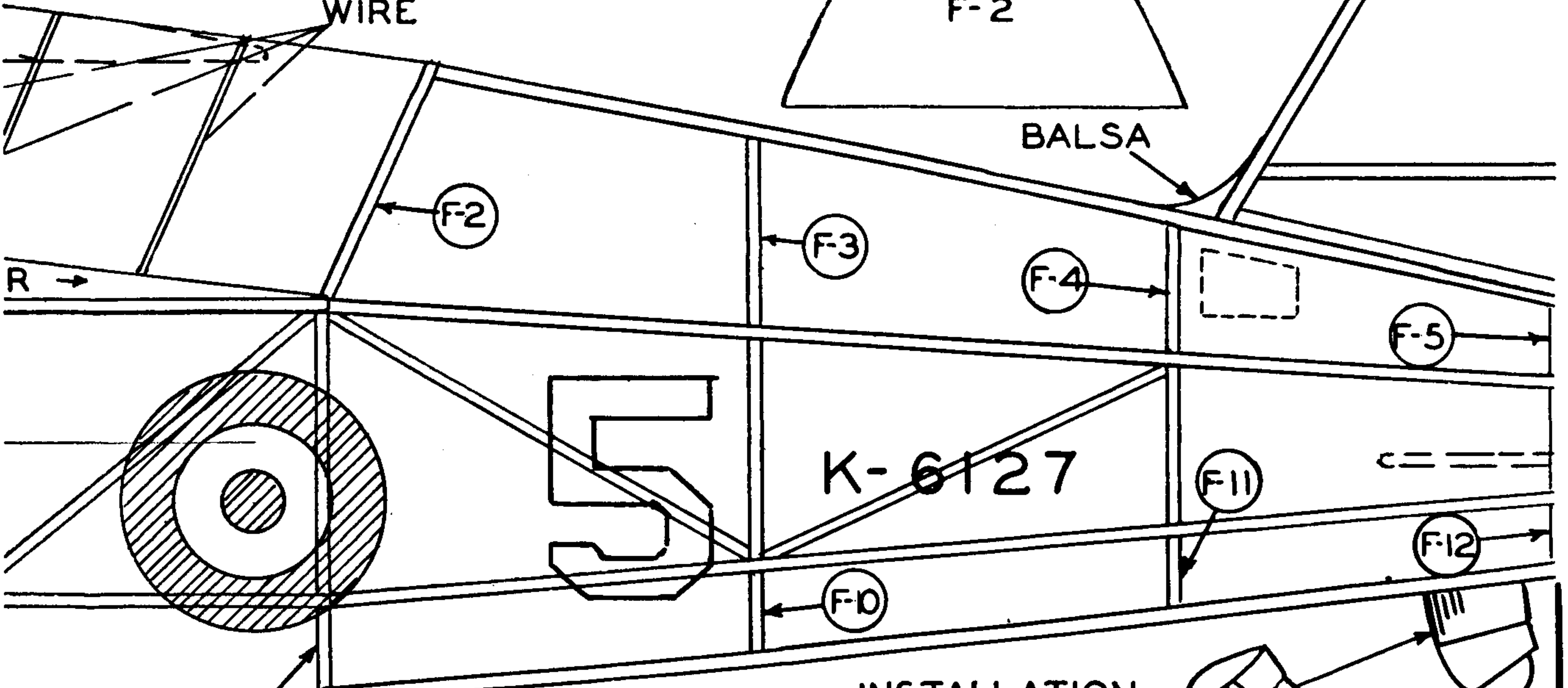
SCALE PROPELLER BLADE

WIRE

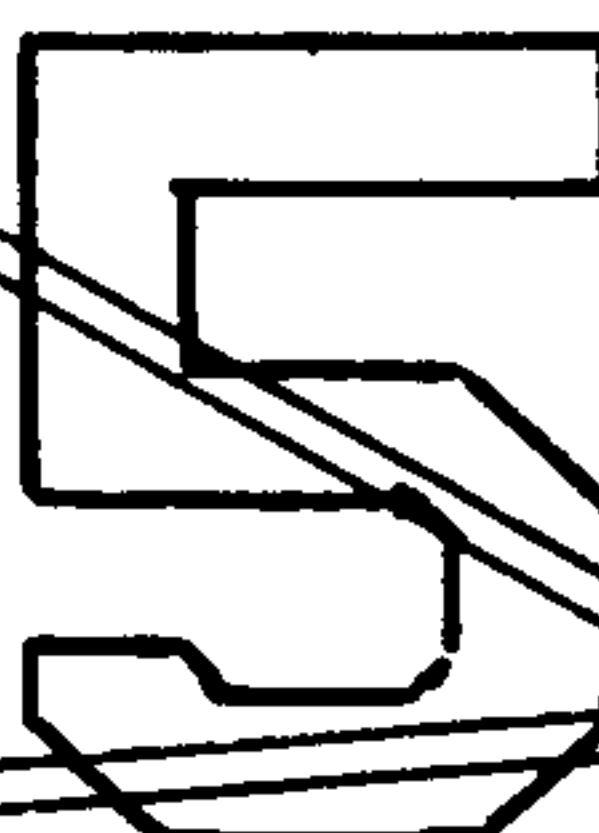
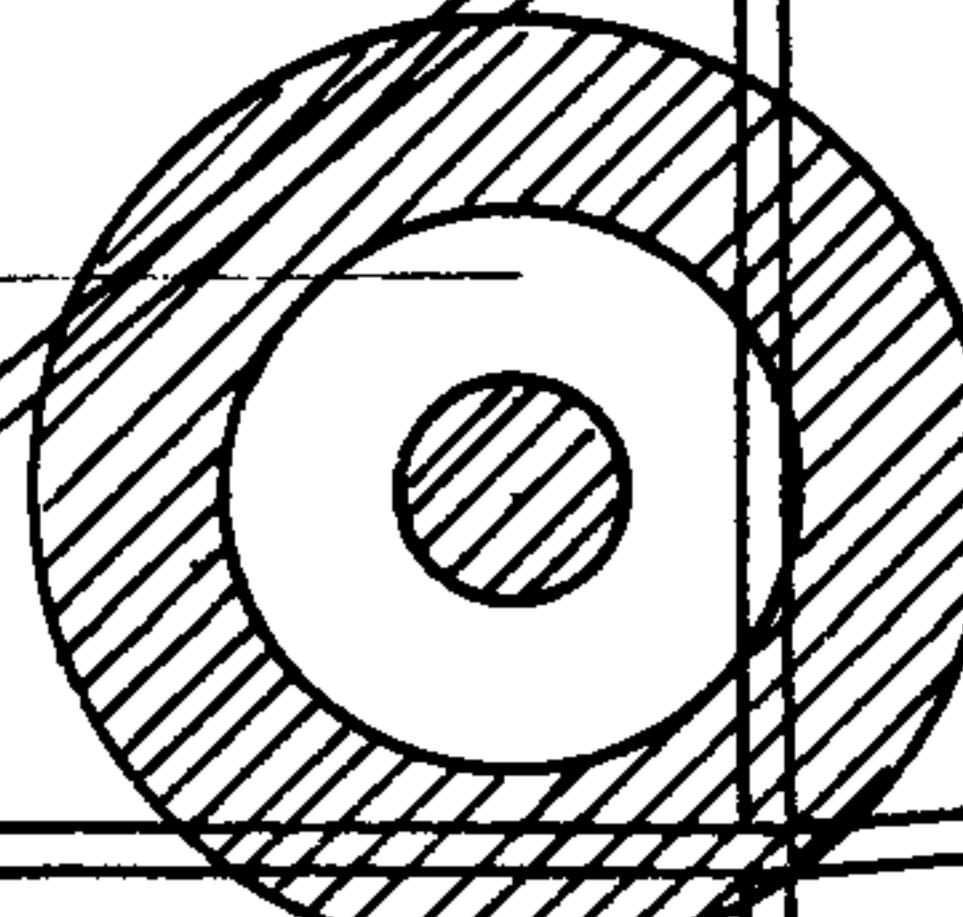


F-2

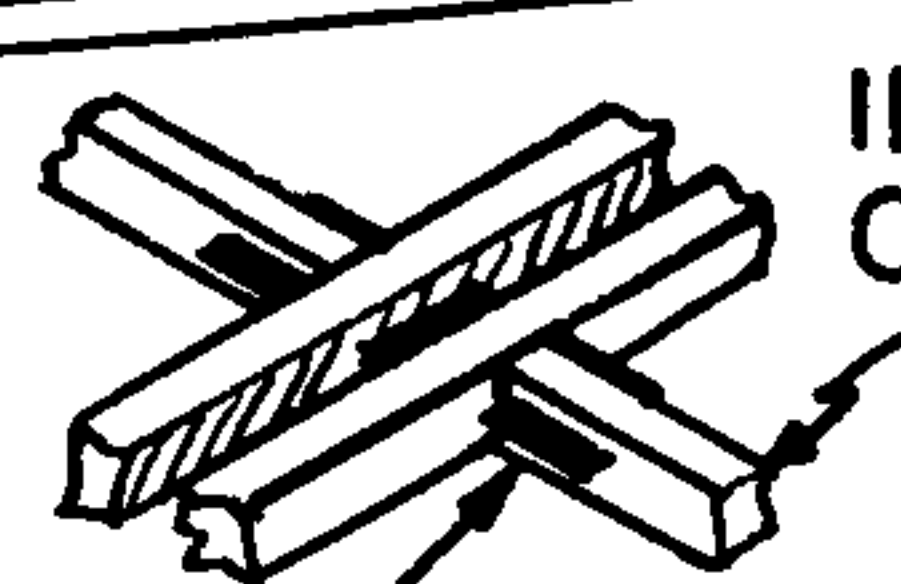
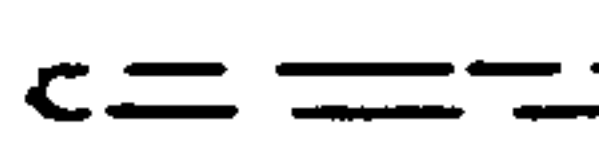
BALSA



R →



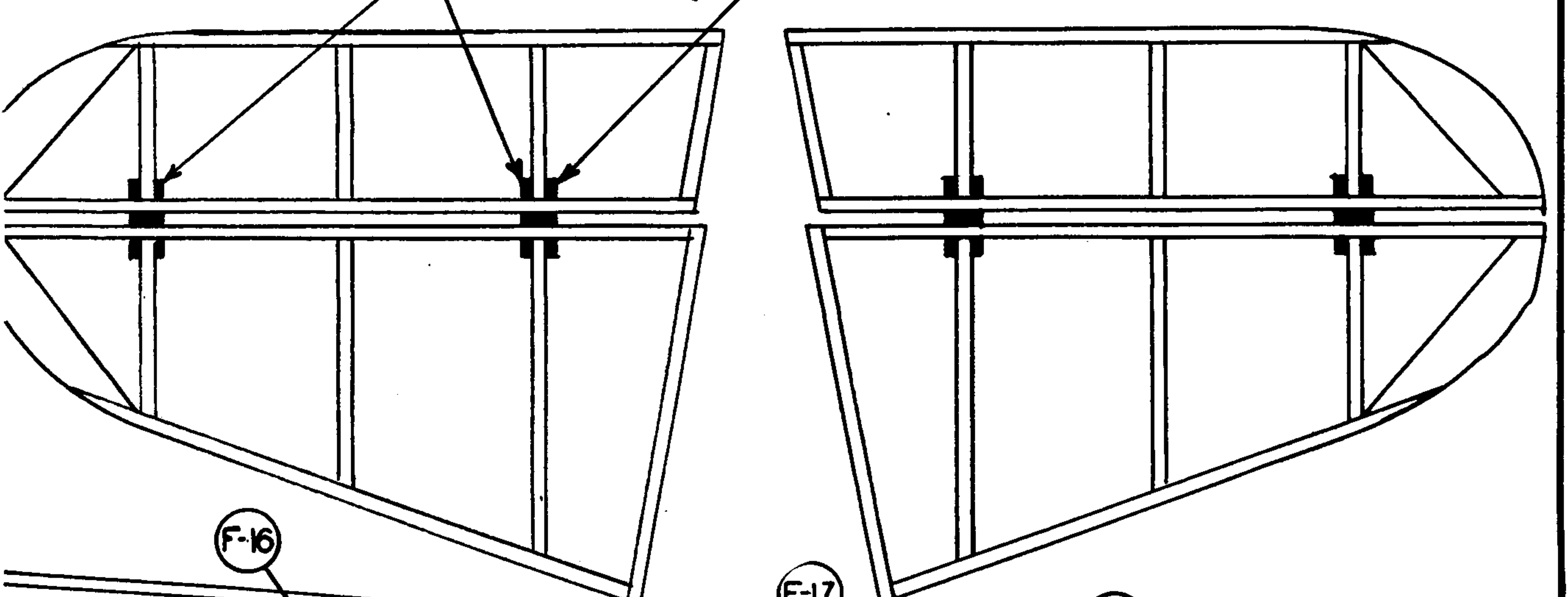
K-6127



INSTALLATION OF ALUM HINGE



TAIL WHEEL

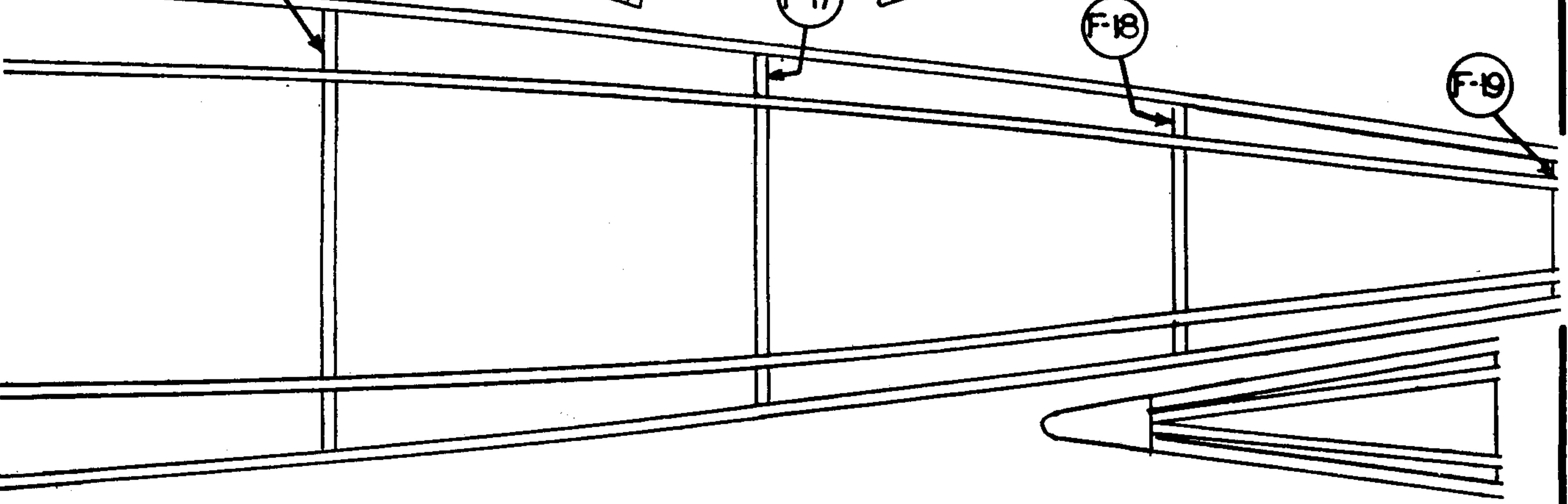


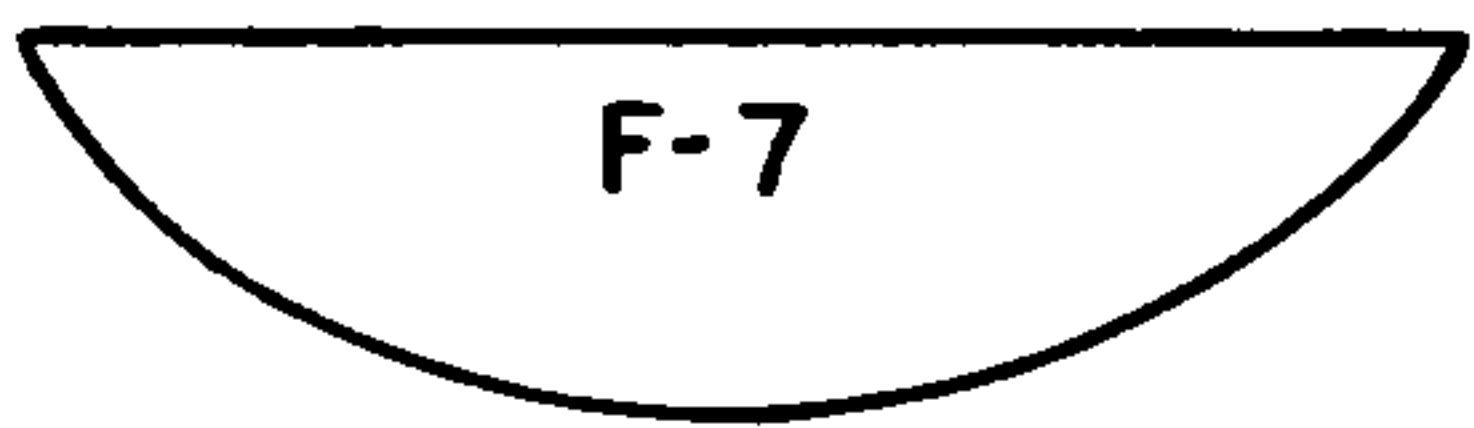
F-16

F-17

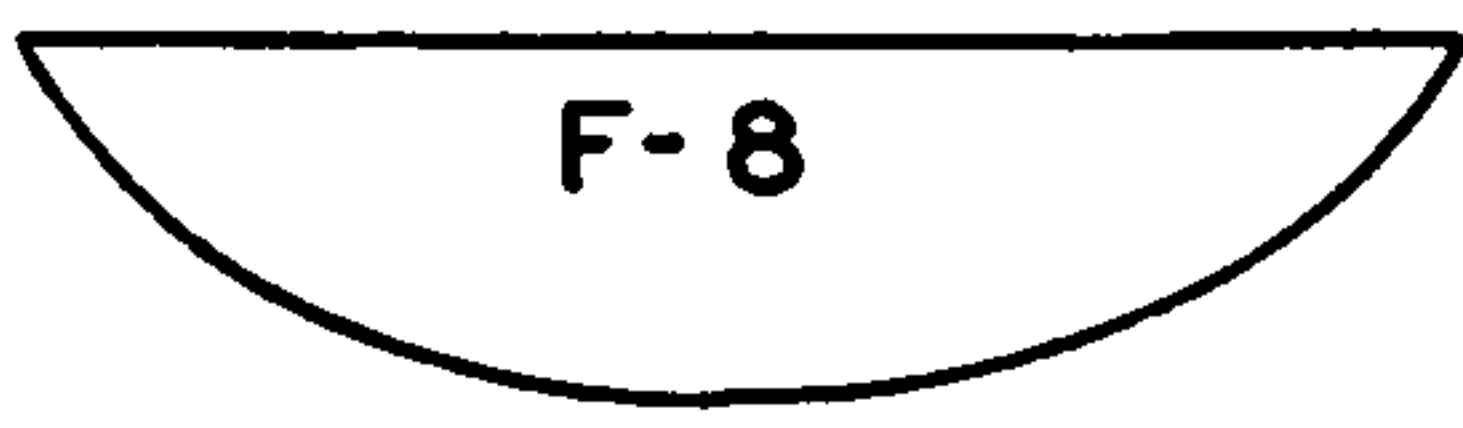
F-18

F-19

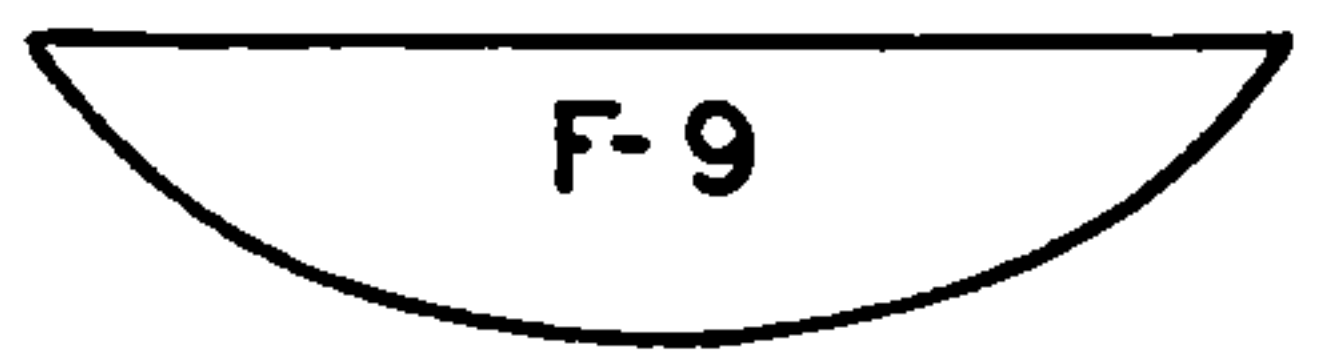




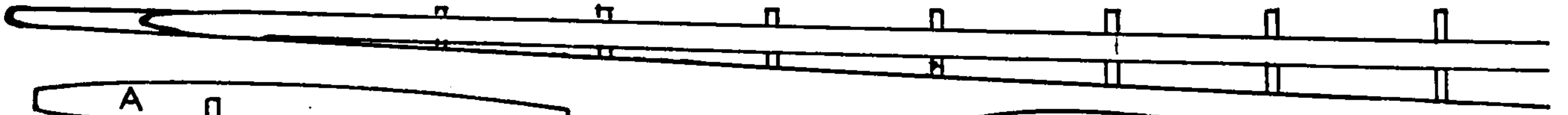
F-7



F-8



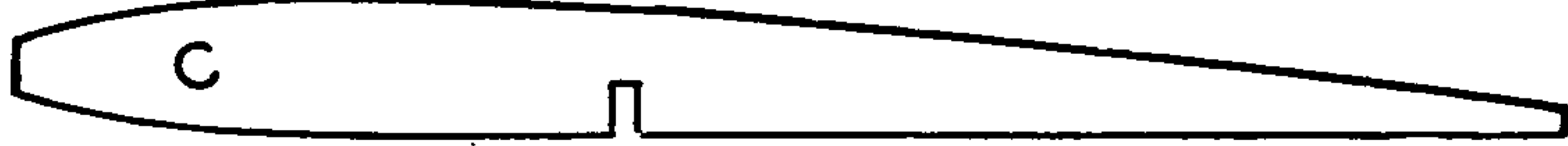
F-9



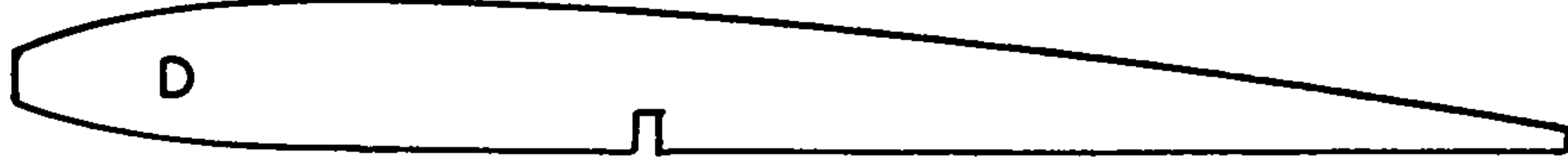
A



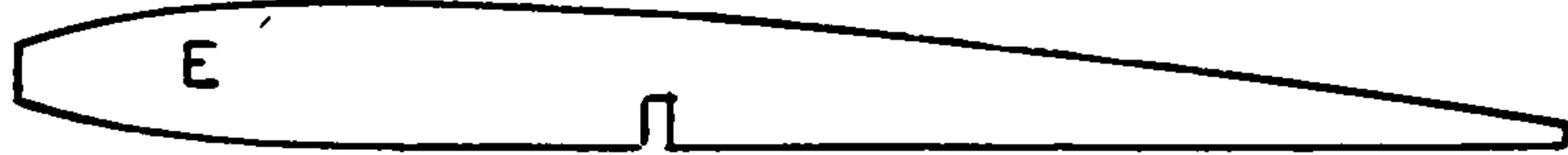
B



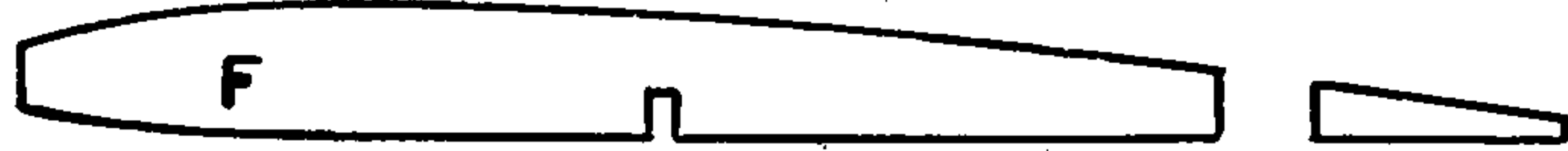
C



D



E



F



G



O



I



H



J



K



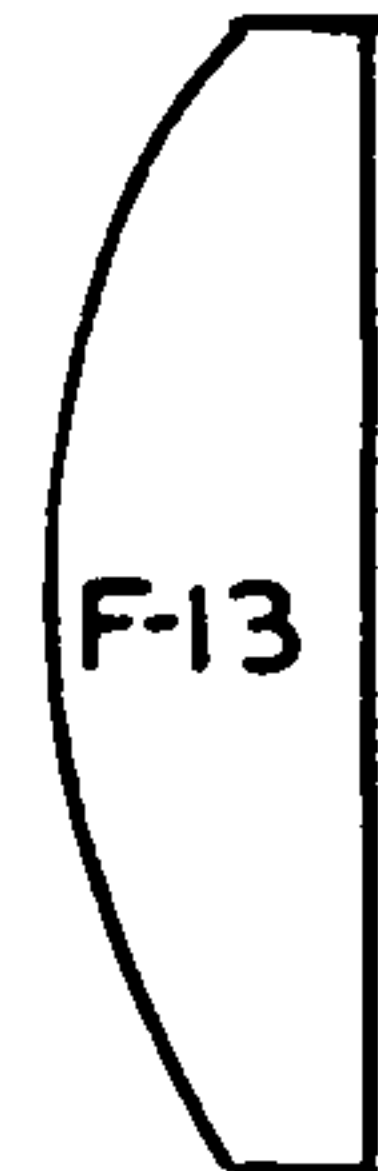
L



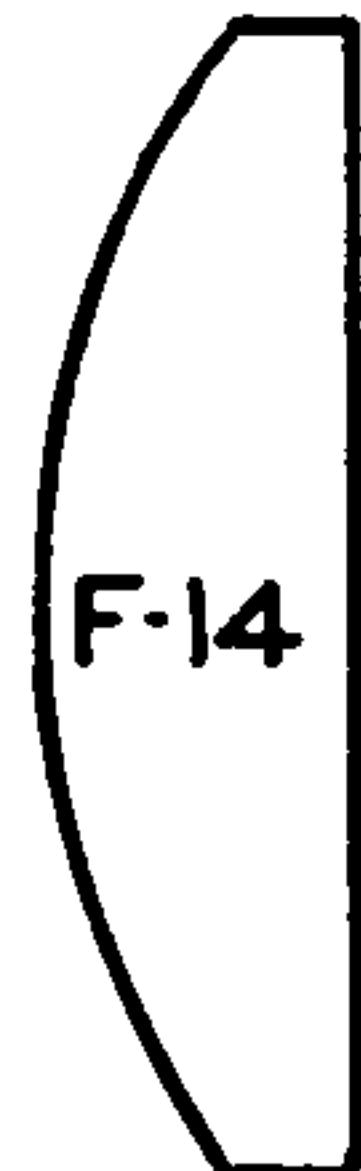
M



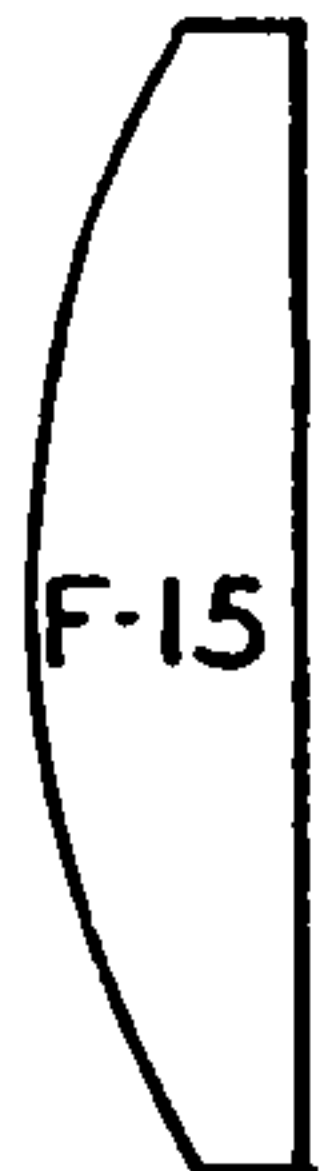
N



F-13



F-14



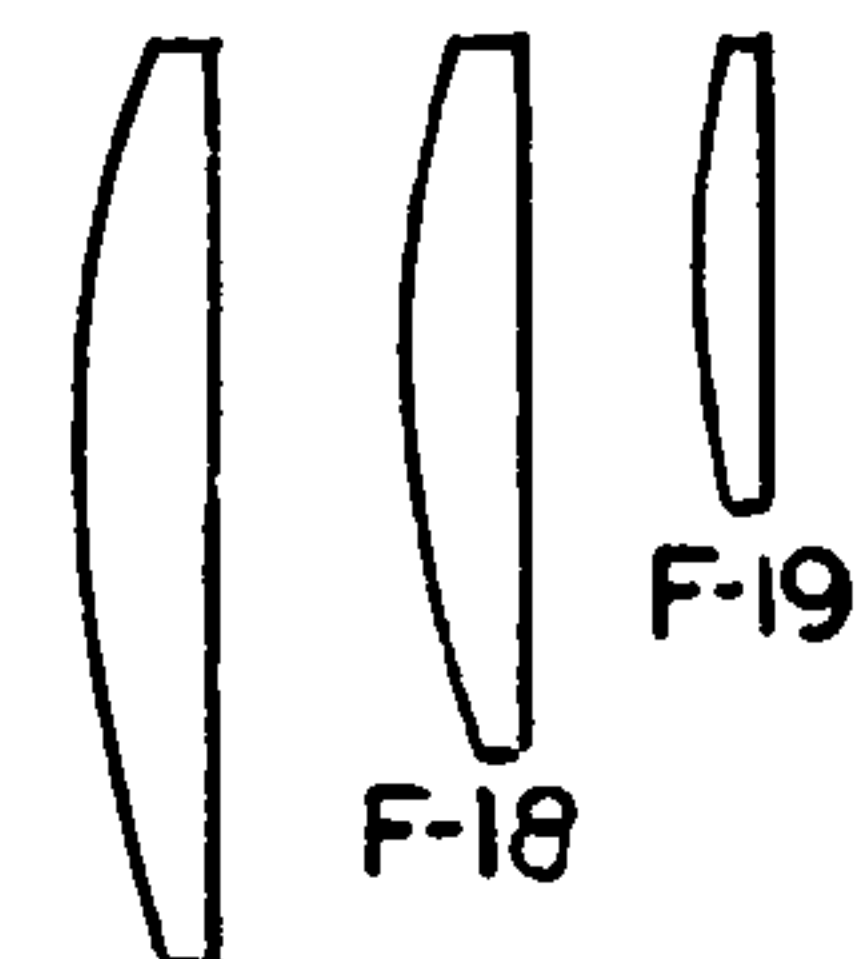
F-15



F-16

POSITION OF STRINGERS SHOWN ON FORMERS

ALL RIBS  $\frac{1}{16}$ "

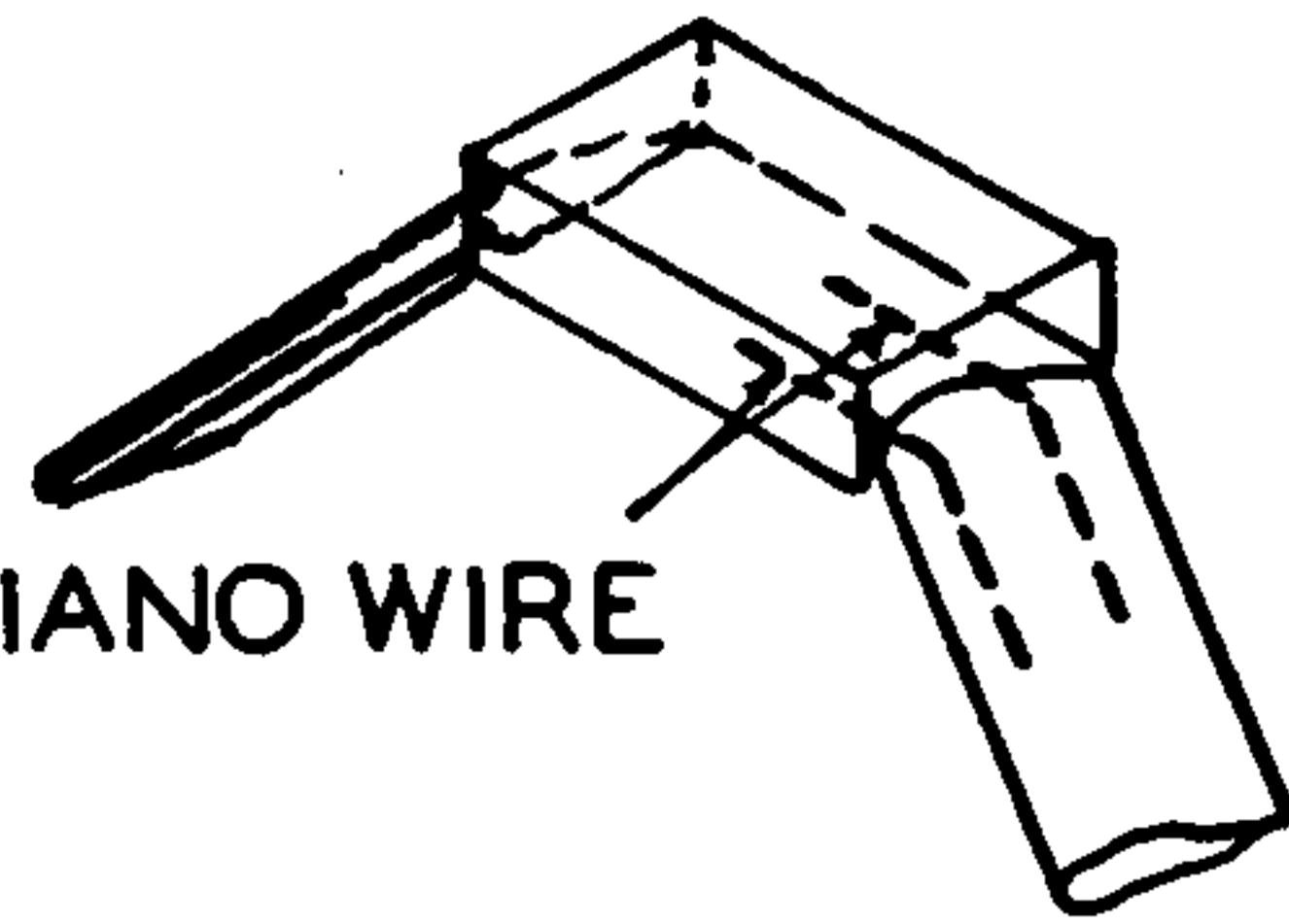


F-17

F-18

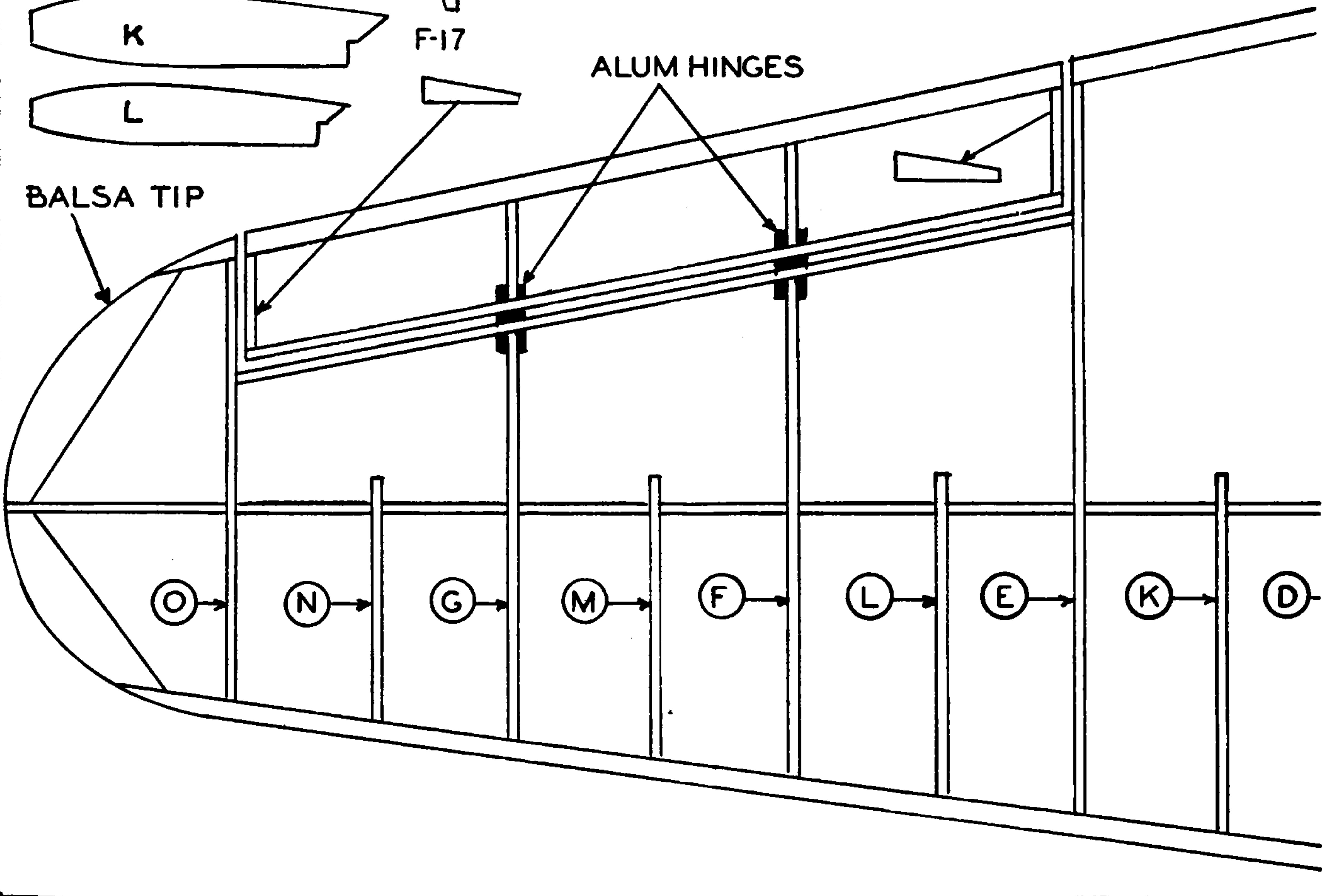
F-19

PIANO WIRE



ALUM HINGES

BALSA TIP



F-10

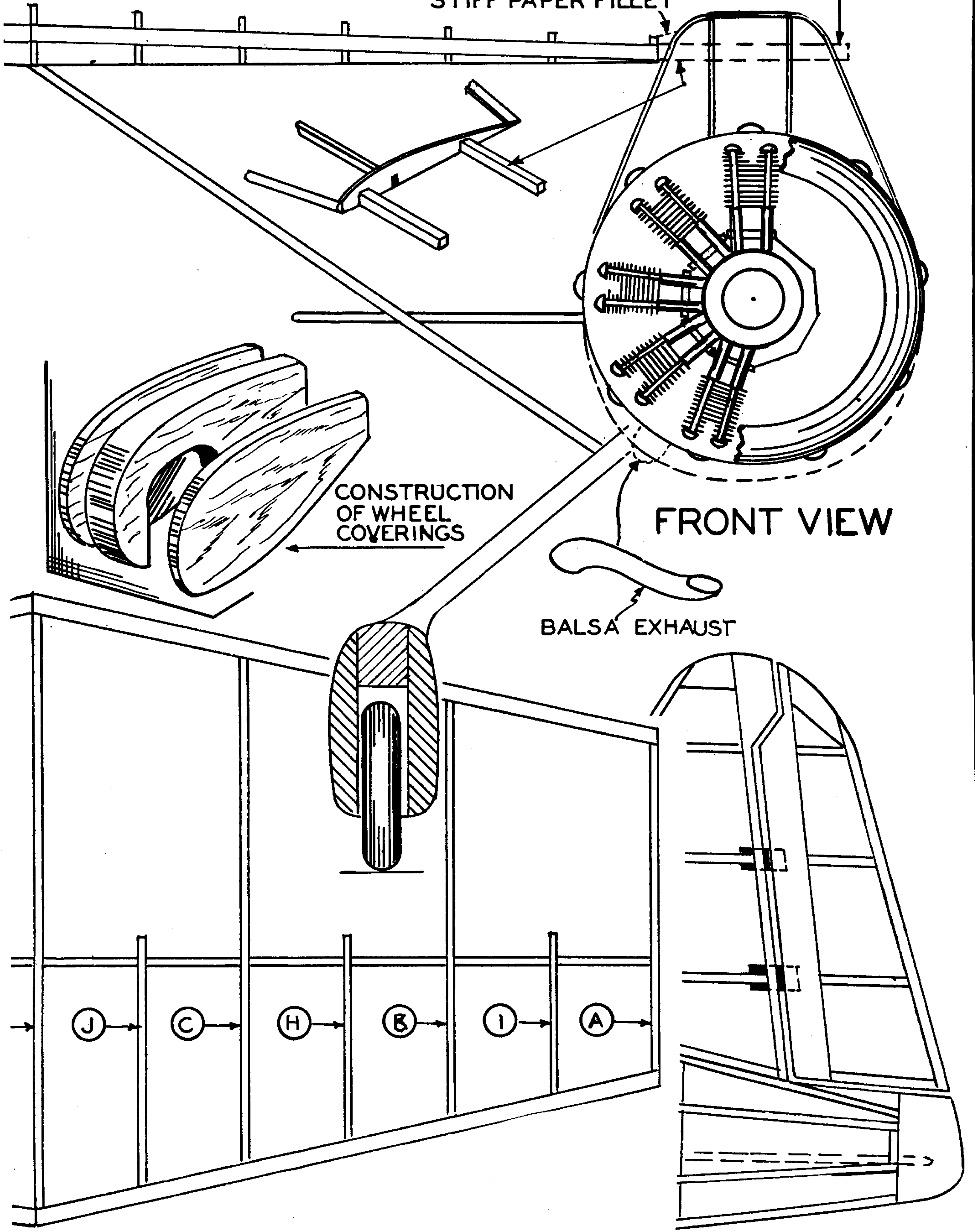
F-11

F-12

$\frac{1}{8}$ " FOR WING BEAM SUPPORTS

ALL FORMERS  $\frac{1}{16}$ " STOCK

STIFF PAPER FILLET



FRONT VIEW

CONSTRUCTION OF WHEEL COVERINGS

BALSA EXHAUST

J

C

H

B

I

A