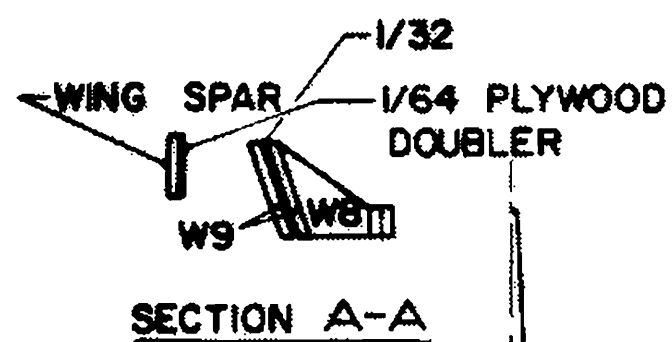
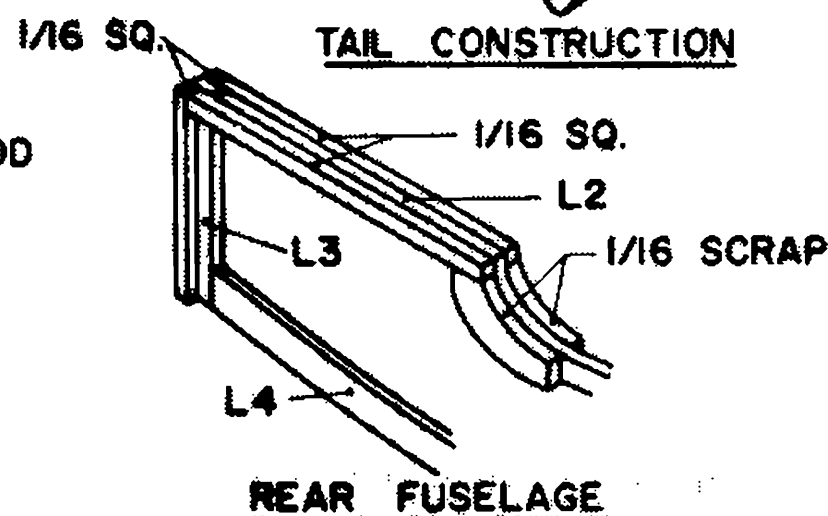


SOFT 1/16 SQ. SANDED TO SHAPE
 .02x.04 BASSWOOD

LAMINATION DETAIL

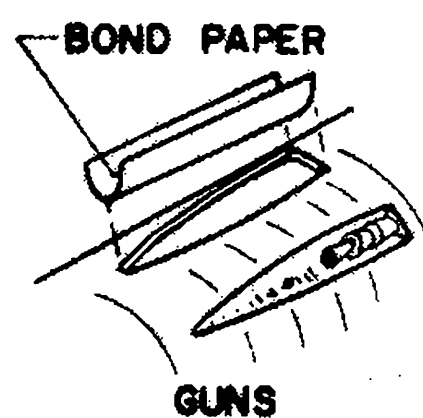


TAIL CONSTRUCTION

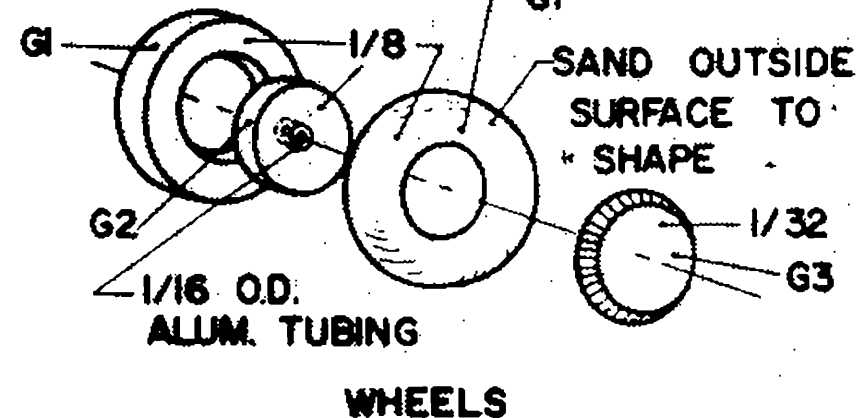


REAR FUSELAGE

UNDERWING RADIATOR



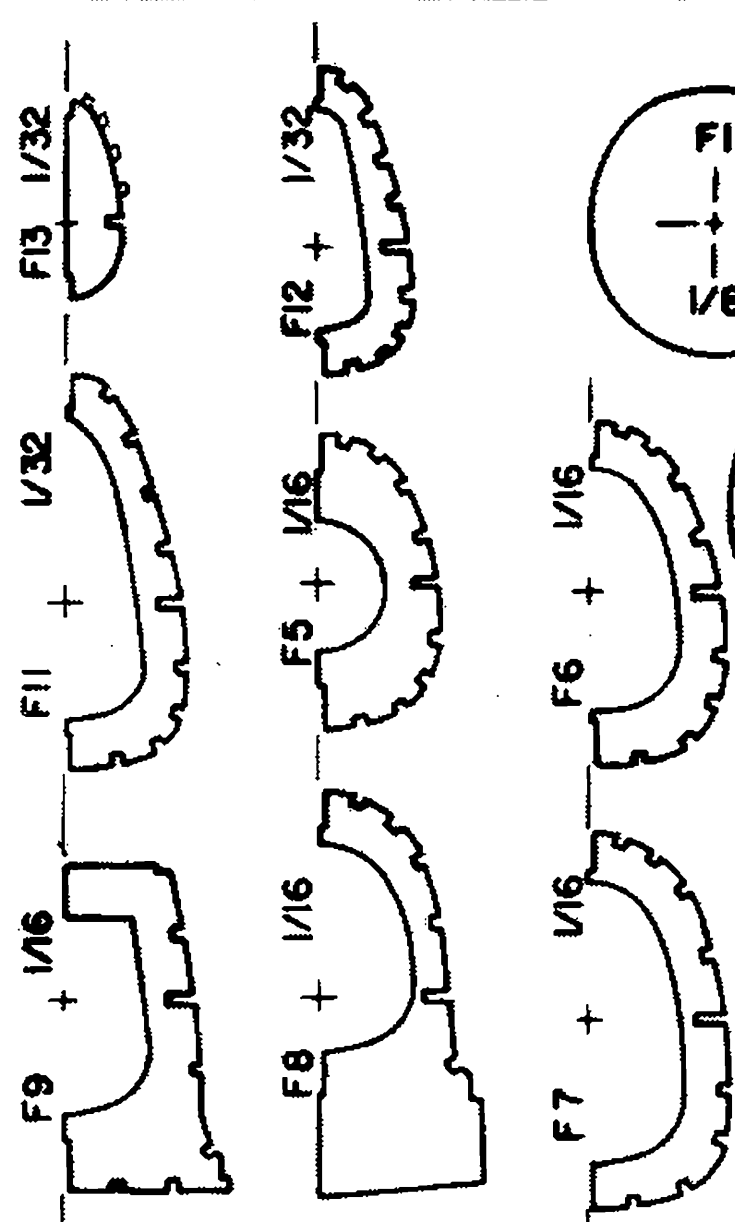
FUSELAGE RADIATOR



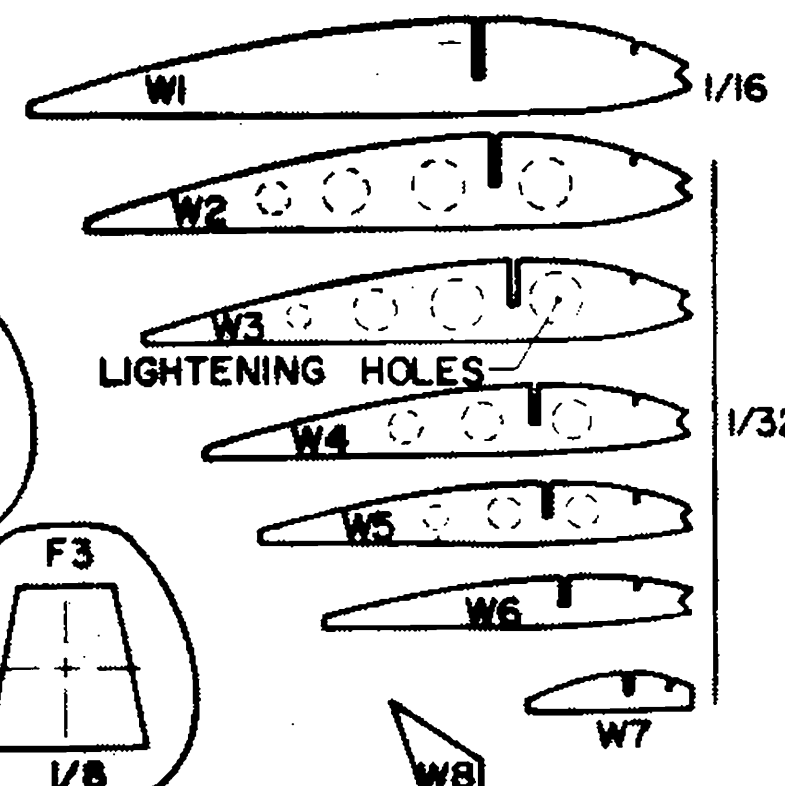
EXHAUSTS



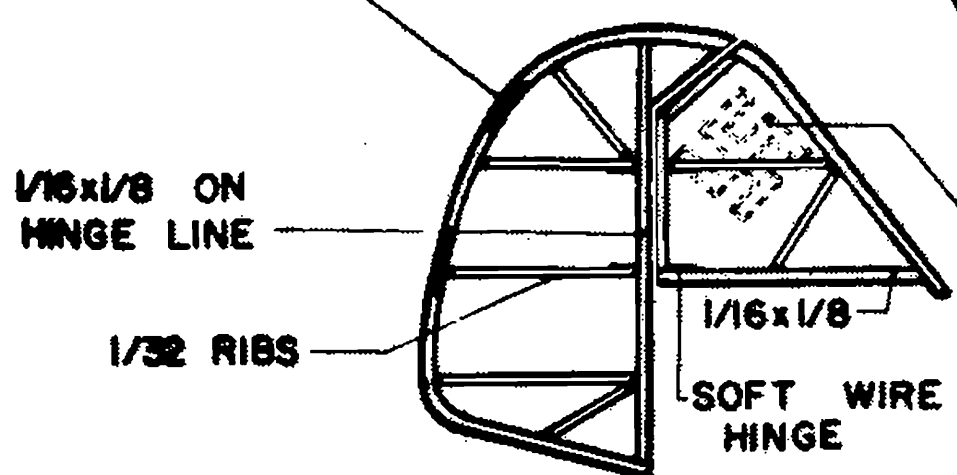
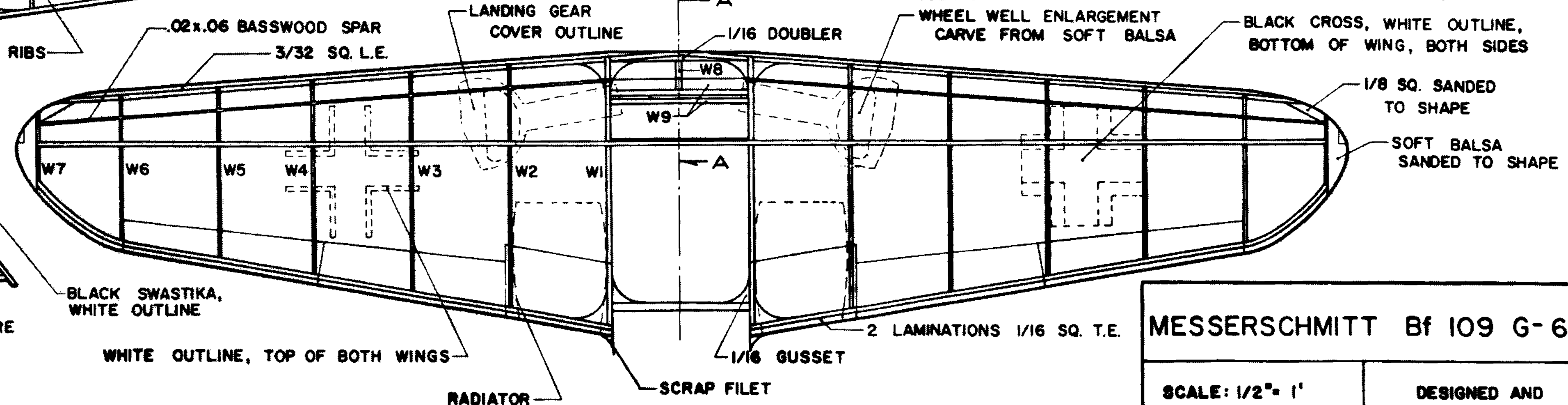
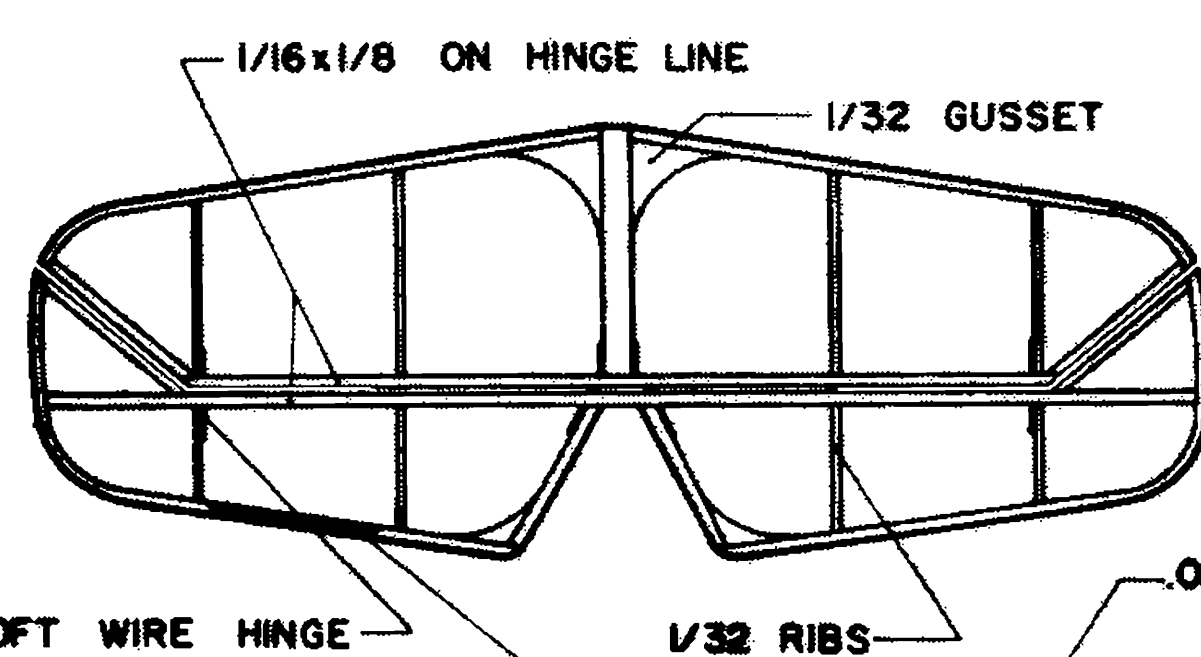
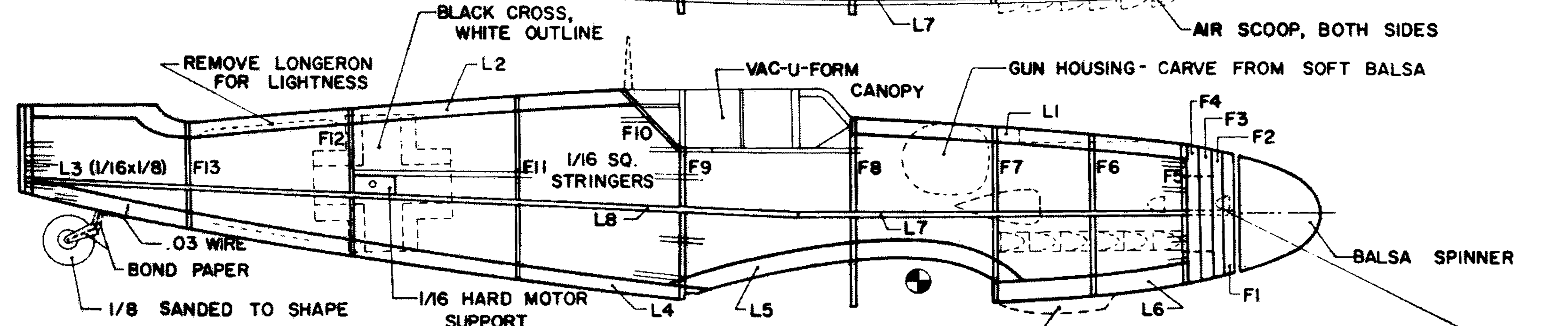
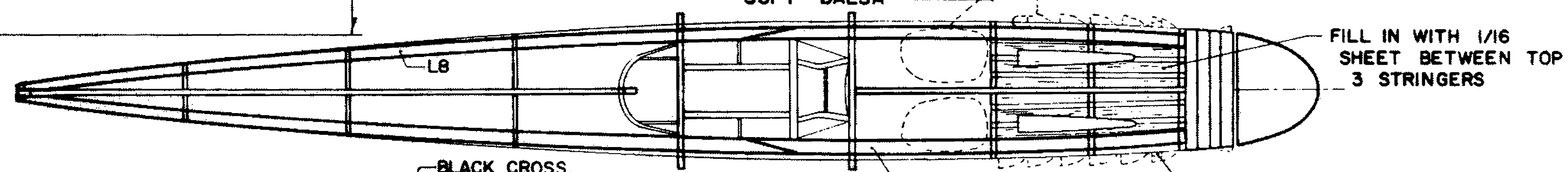
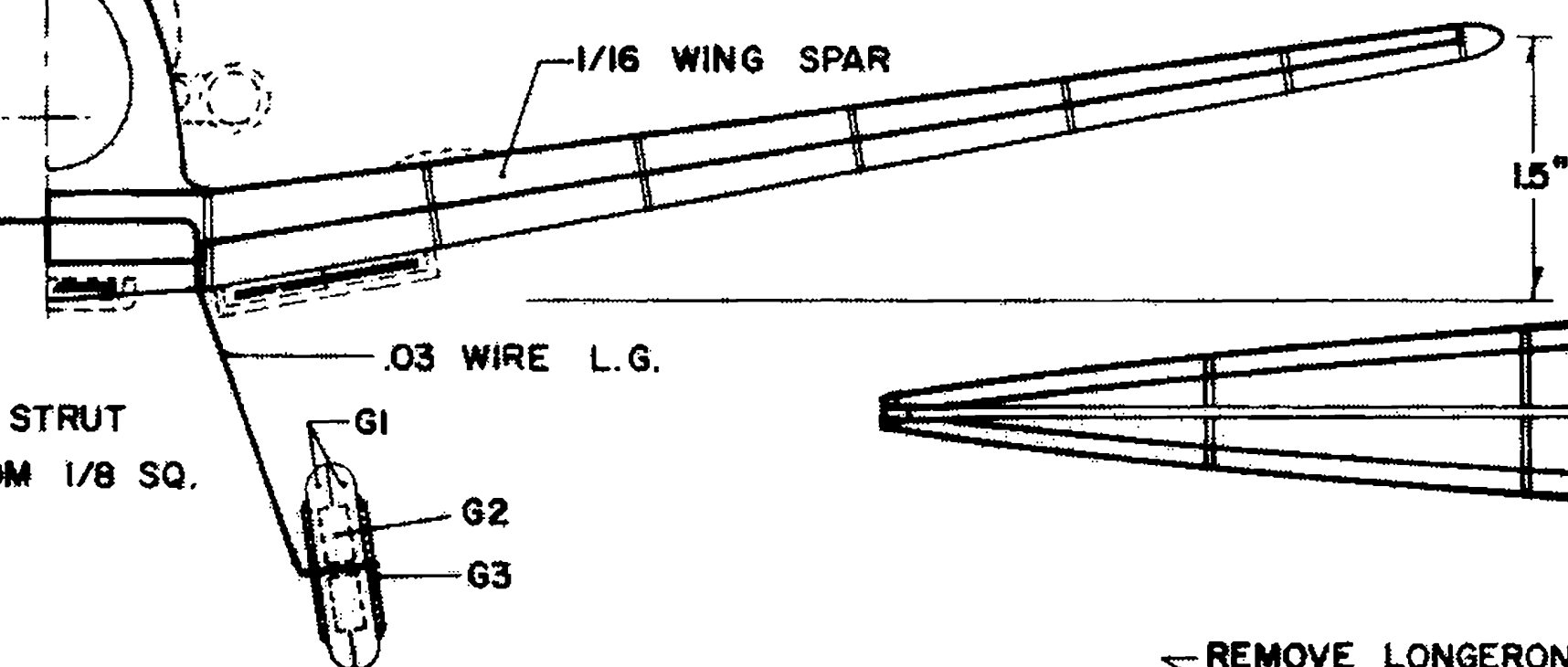
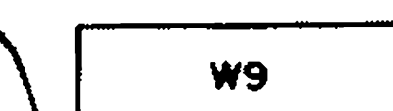
AIR INTAKE - CARVE FROM SOFT BALS



LIGHTNING HOLES



1/32 L.G. WEDGE



MESSERSCHMITT Bf 109 G-6
 SCALE: 1/2" = 1'
 MARCH 1979
 DESIGNED AND INKED BY
 ALLAN SCHANZLE