

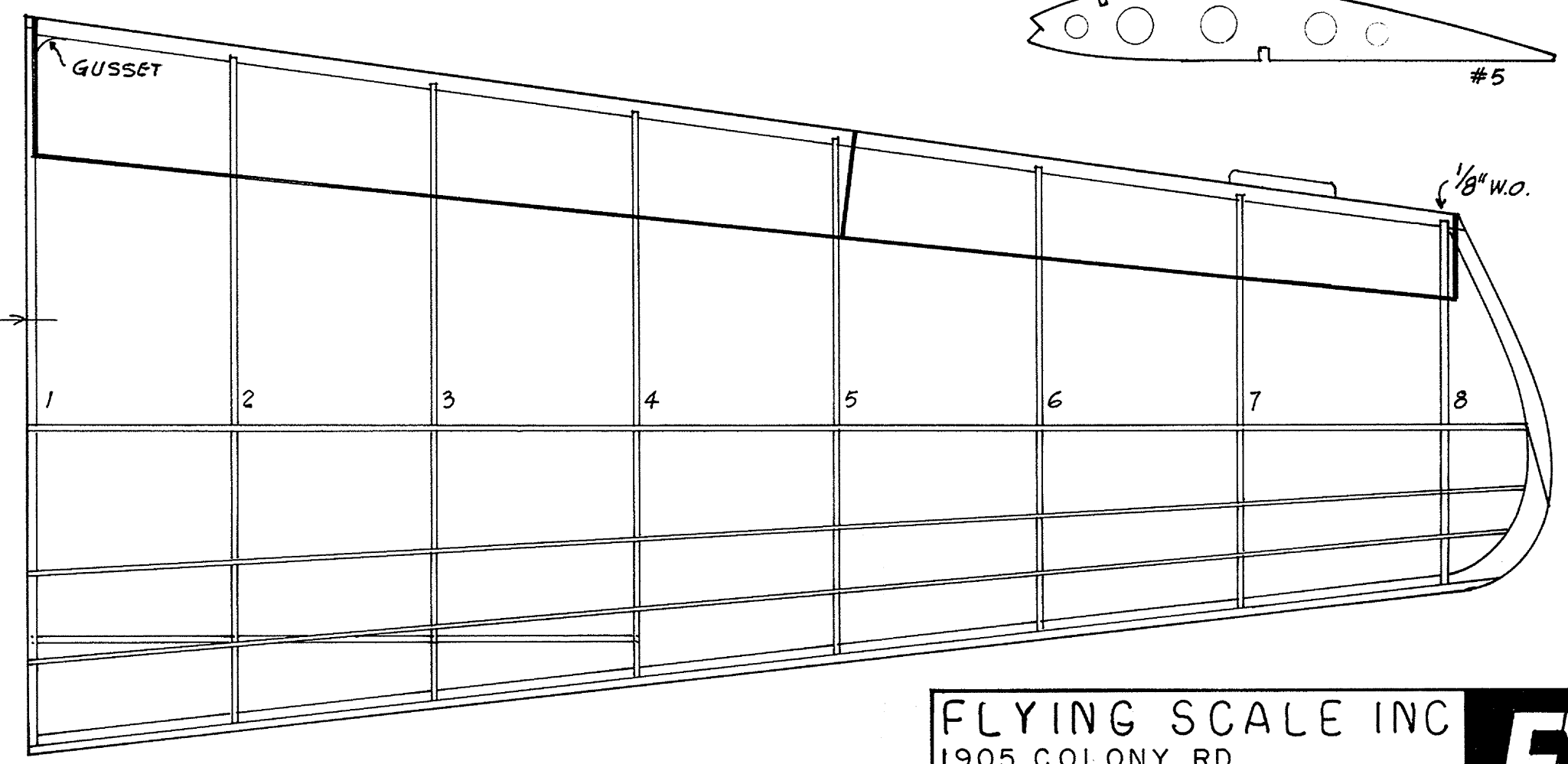
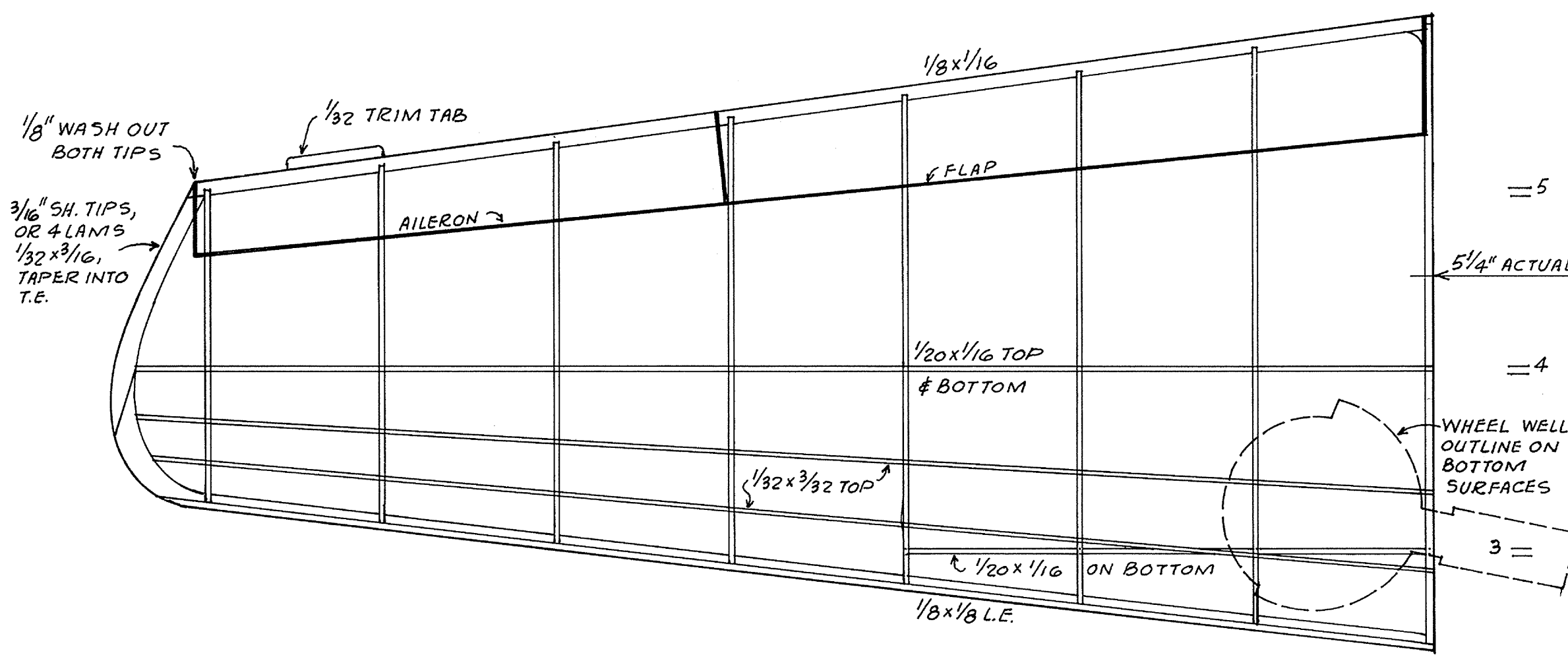
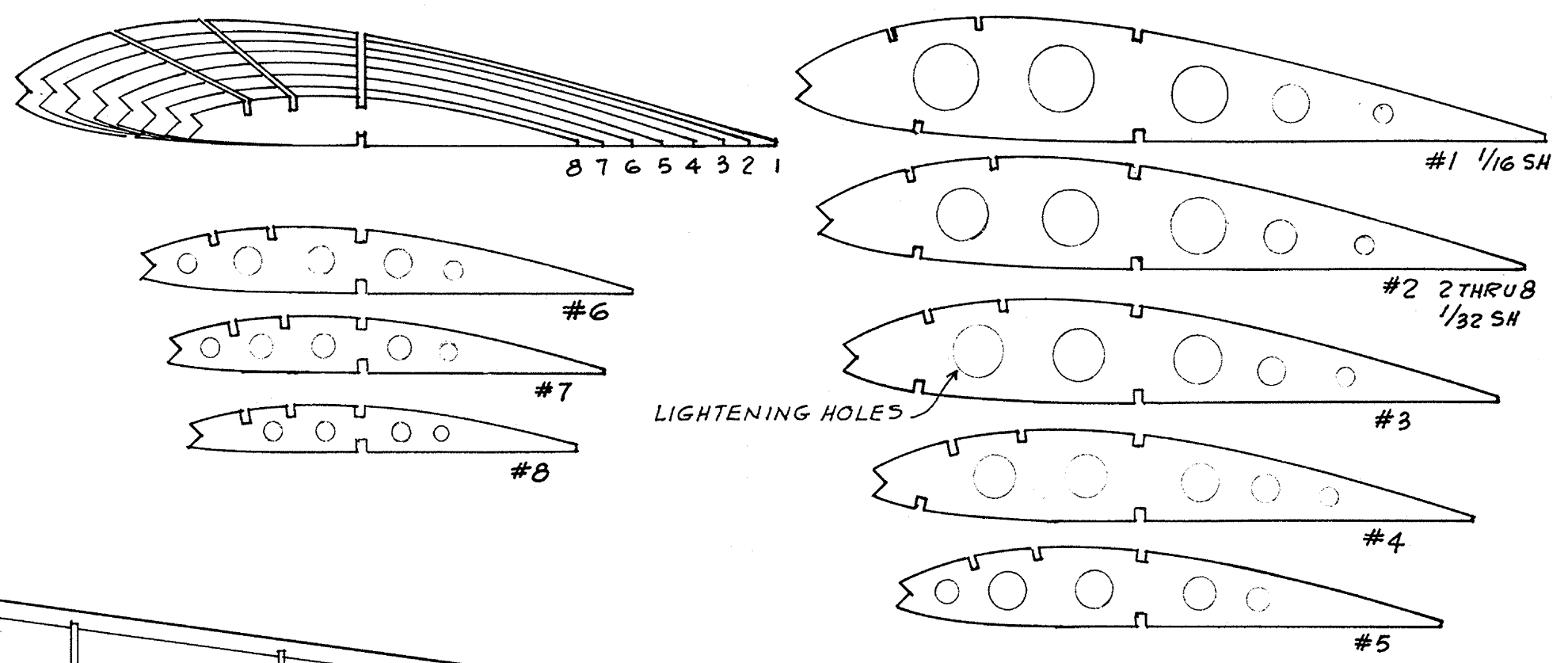
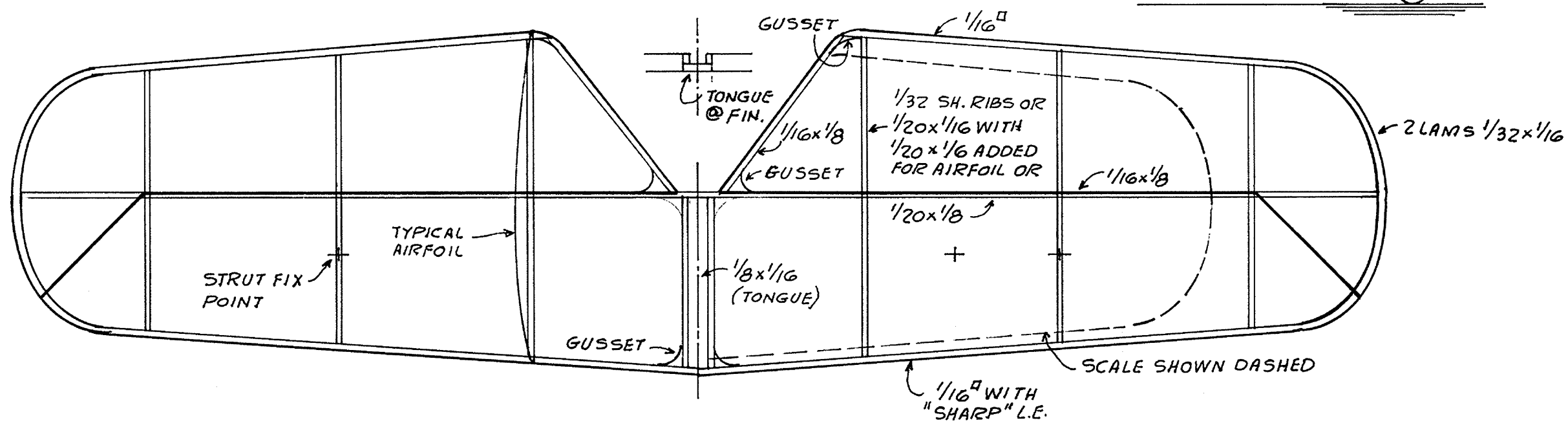
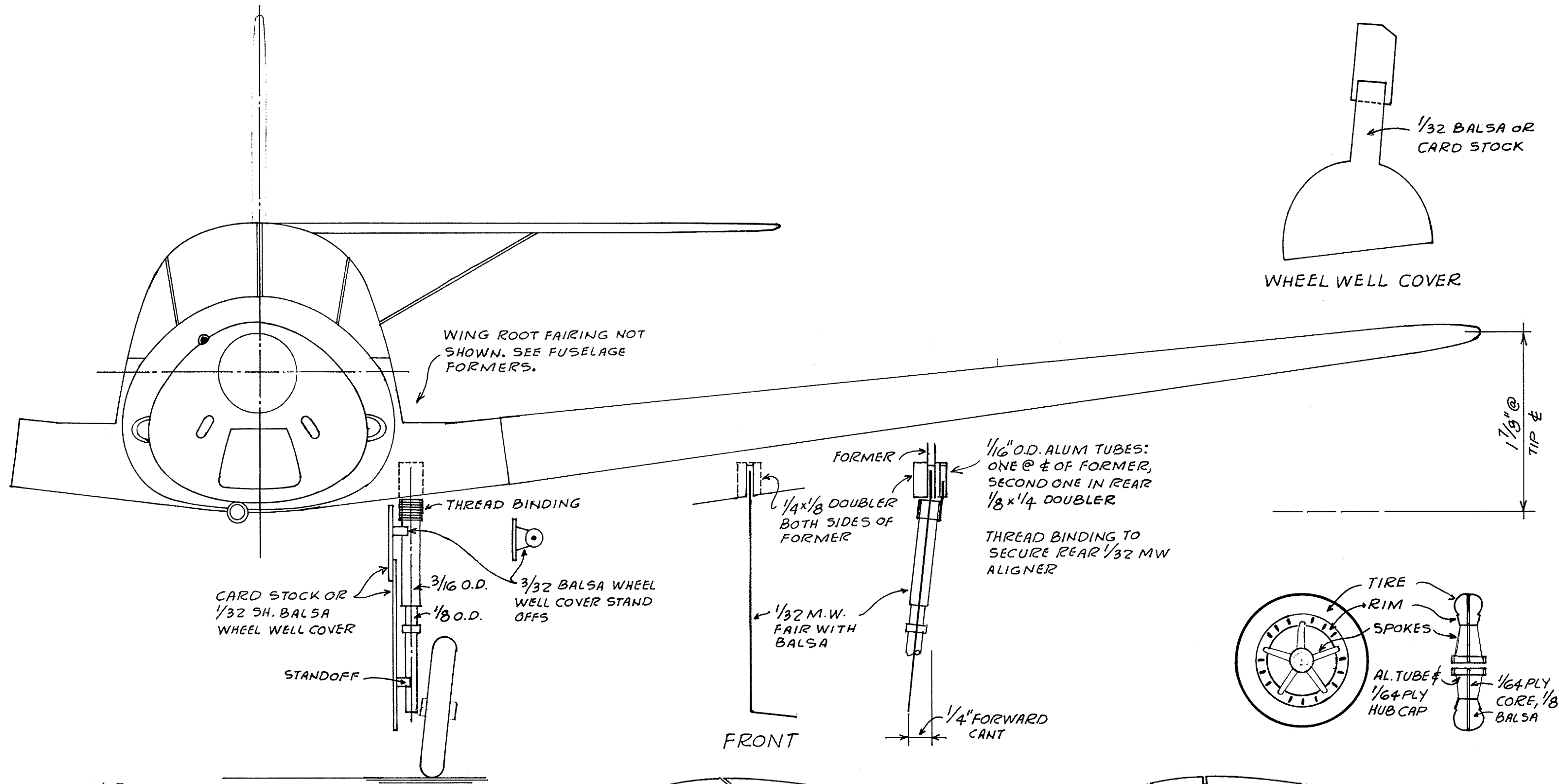
FILL IN BETWEEN STRINGERS BACK TO FORMER #2 1/2 WITH SOFT 3/32 SHEET. PROVIDE 1/32" MINIMUM GLUE LAP ONTO STRINGERS & FORMERS. CAREFULLY SAND TO FINAL PROFILES.

SUGGESTED POWER - 4 TO 12 STRANDS 3/16 OR 1/8 TO FORM 24" LONG LOOPS, BRAID/PLAIT TO FINAL LOOP LENGTH OF 14" TO 15" LONG.

FLYING SCALE INC
 1905 COLONY RD.
 METAIRIE, LA. 70003
 MESSERSCHMITT Bf 108 B-1
 SCALE 3/4" = 1'-0"

FSI
 PLAN M-1
 SH 1 OF 2

REFERENCE USED FOR THE DEVELOPMENT OF THIS PLAN WAS MONOGRAM CLOSE UP 5, WHICH CONTAINS 3 VIEWS & VARIOUS COLOR SCHEMES, COPYRIGHT DATE 1975 BY MONOGRAM AVIATION PUBLICATIONS 625 EDGE BROOK DRIVE BOYLSTON, MASS., 01505



TILT TOP OF RIBS #1 1° OUTBOARD, 1° = APPROX 1/32" IN 2" SLOPE

FLYING SCALE INC
1905 COLONY RD.
METAIRIE, LA. 70003

MESSERSCHMITT Bf 108 B-1
SCALE 3/4" = 1'-0"

PLAN M-1
SH 2 OF 2