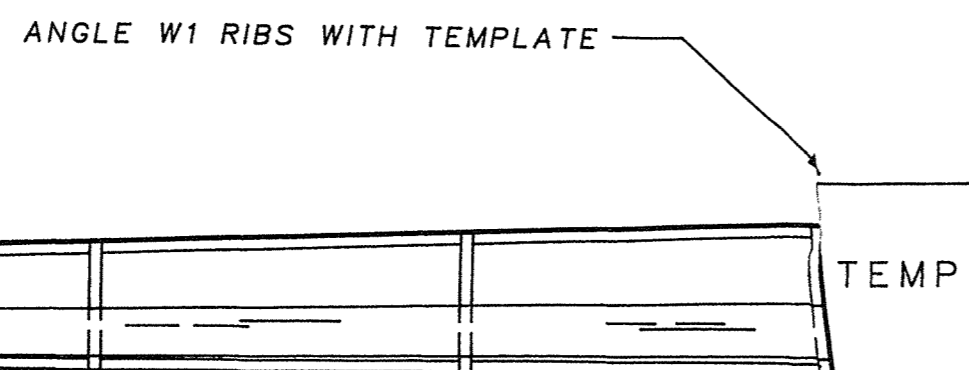
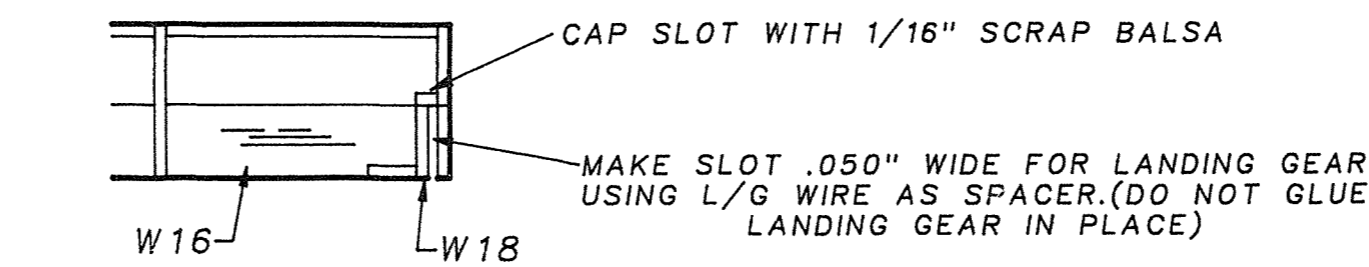


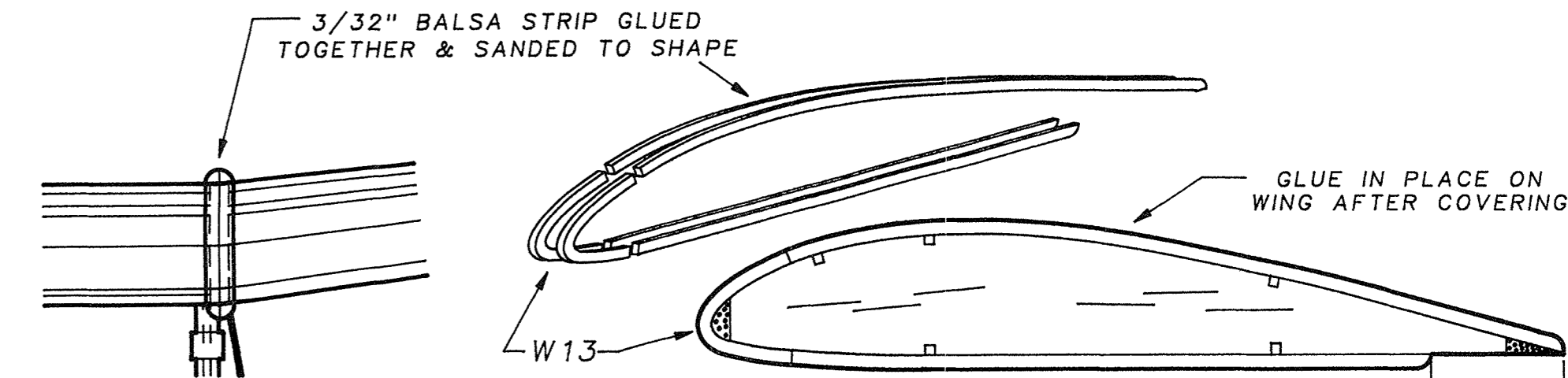
TYPICAL WING SECTION



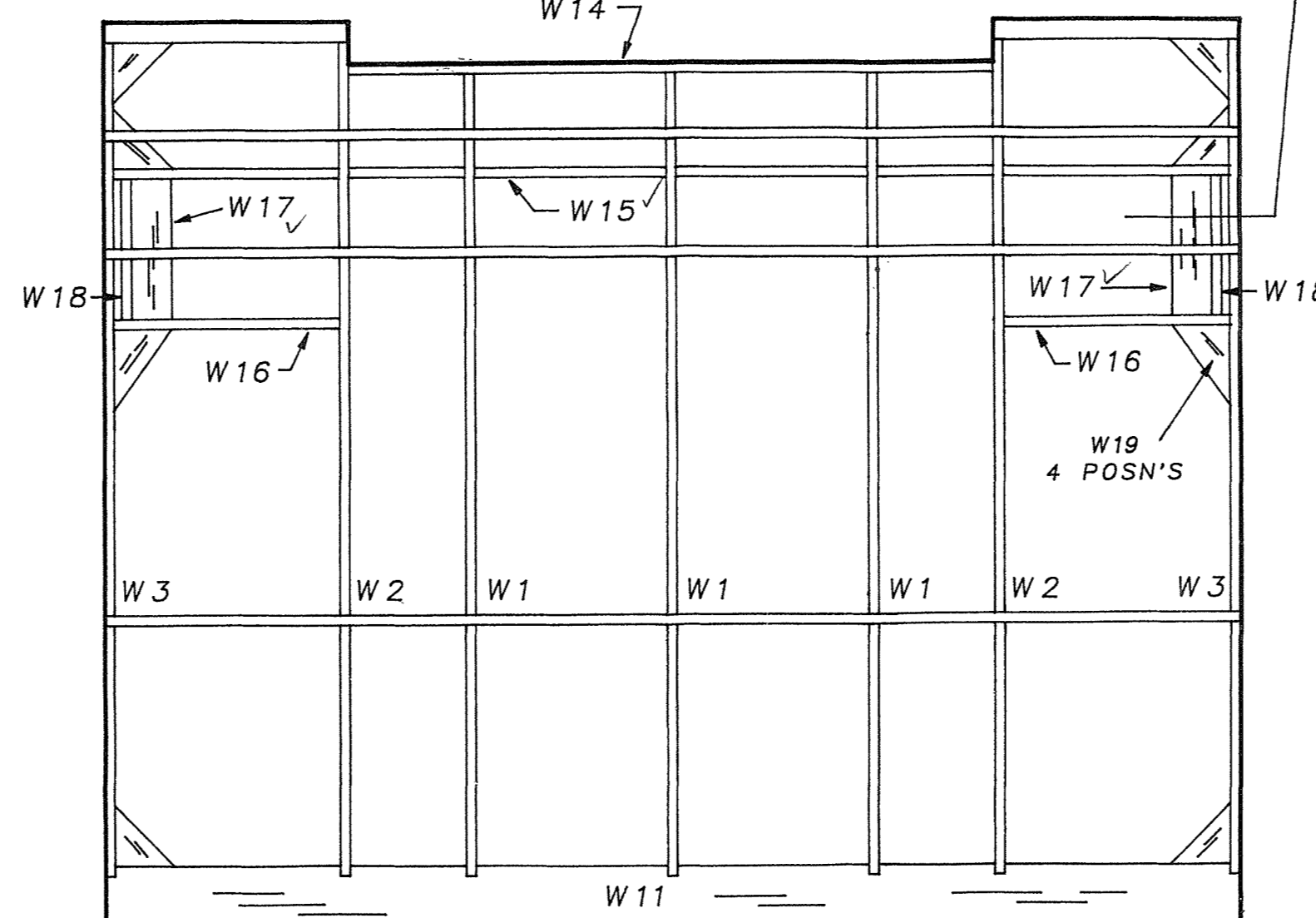
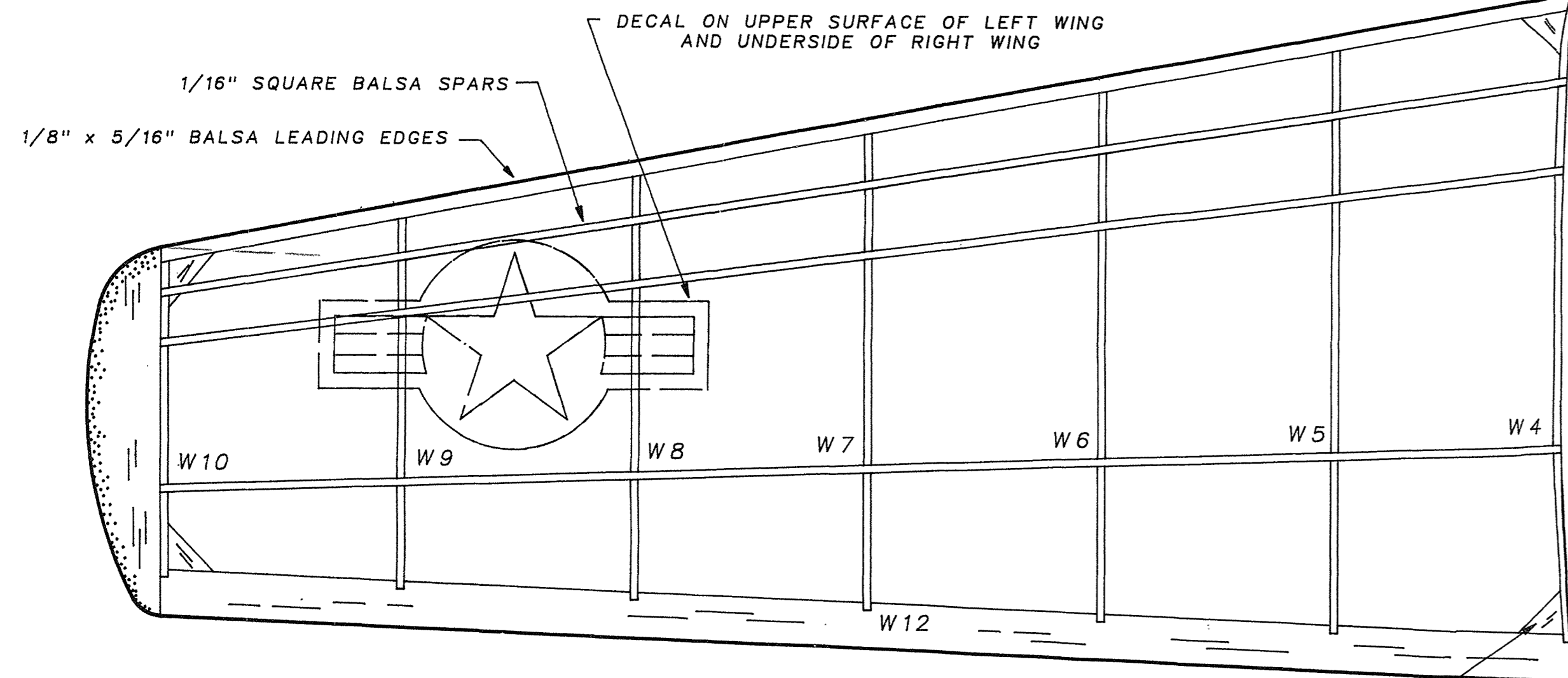
FRONT VIEW OF WING



DETAIL OF SLOT FOR LANDING GEAR

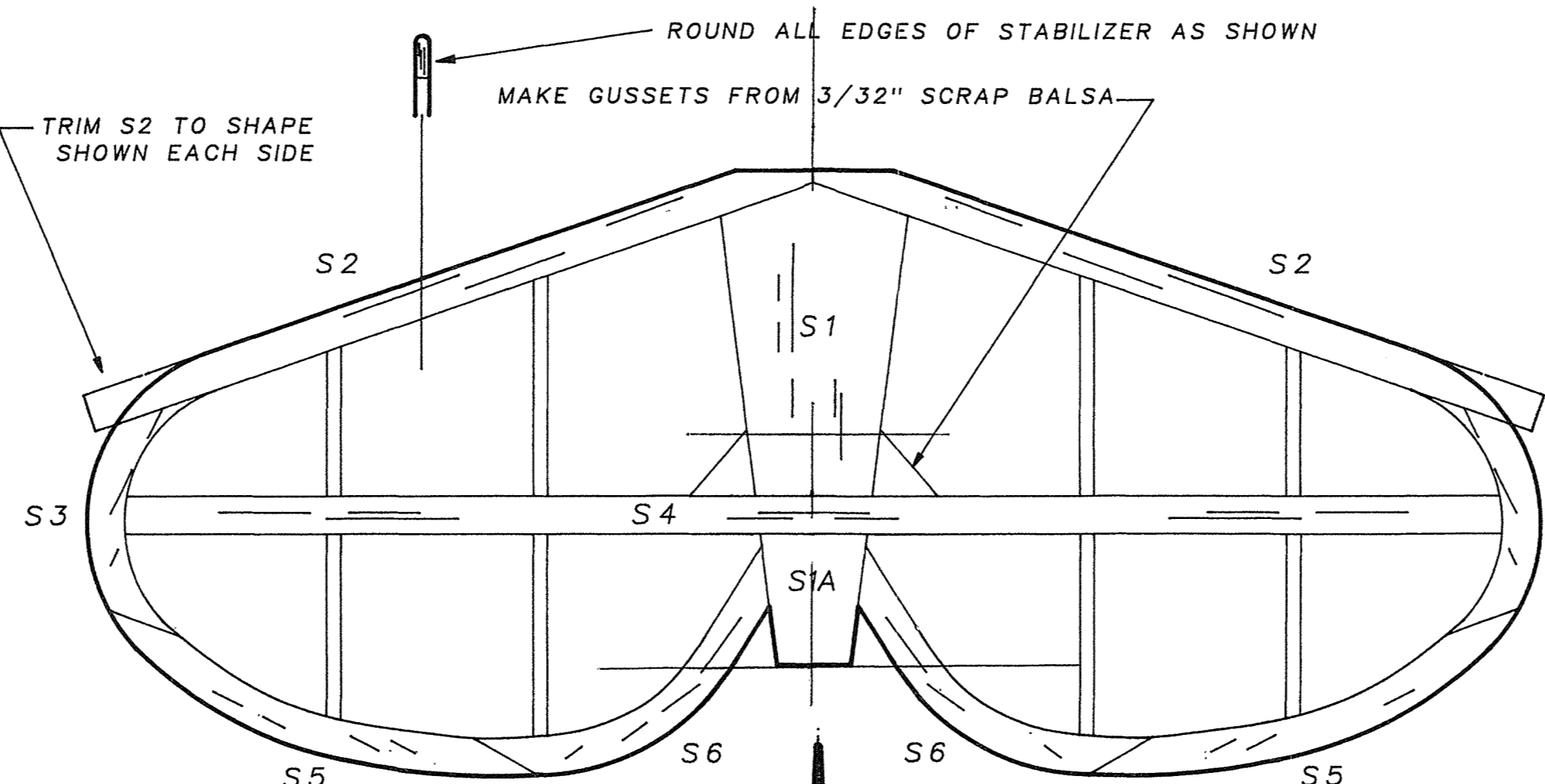
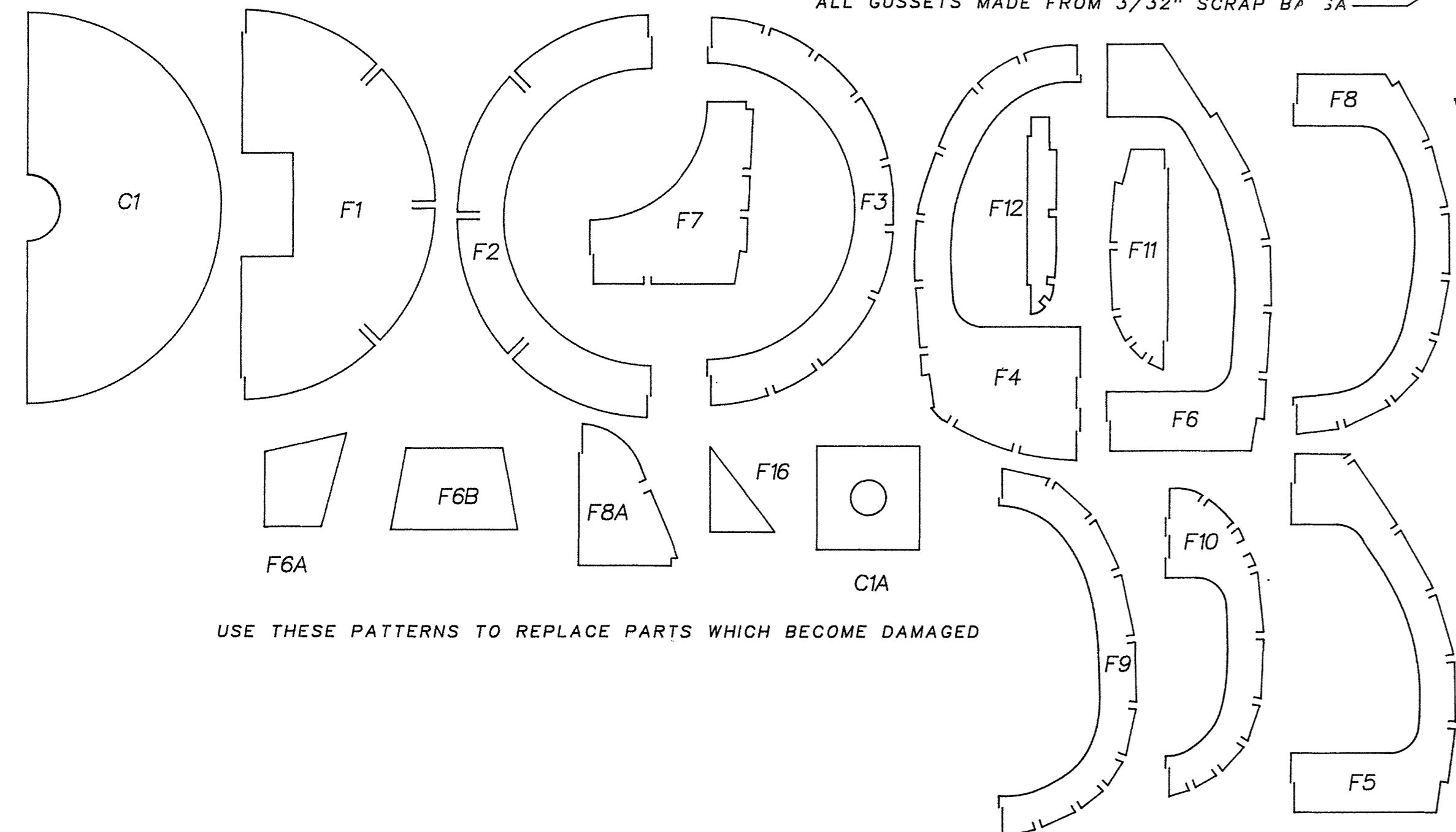


DETAILS OF WING CUFF

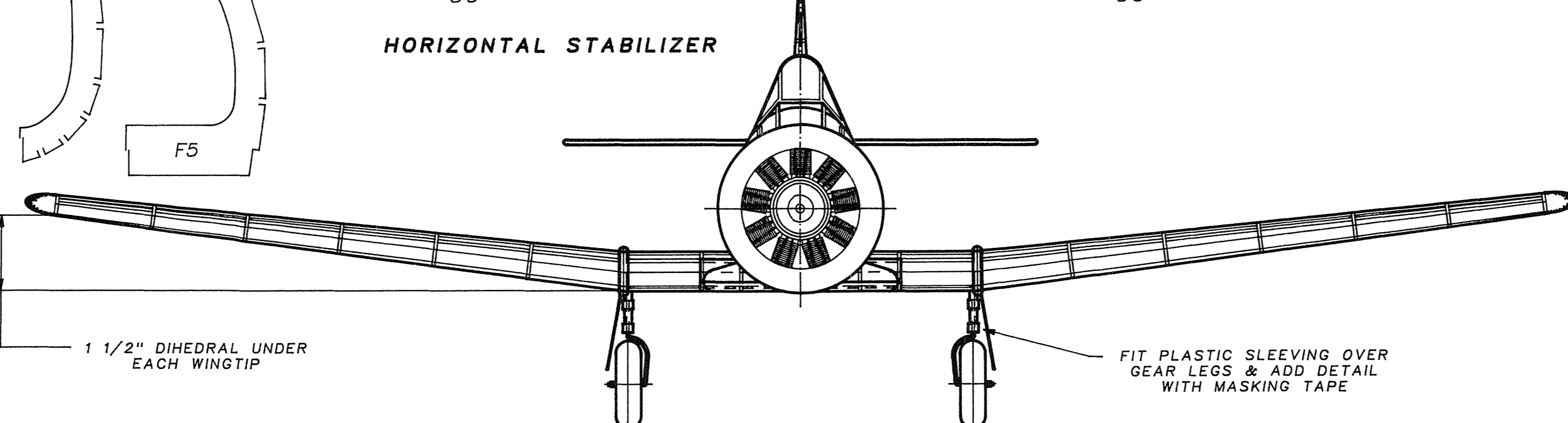
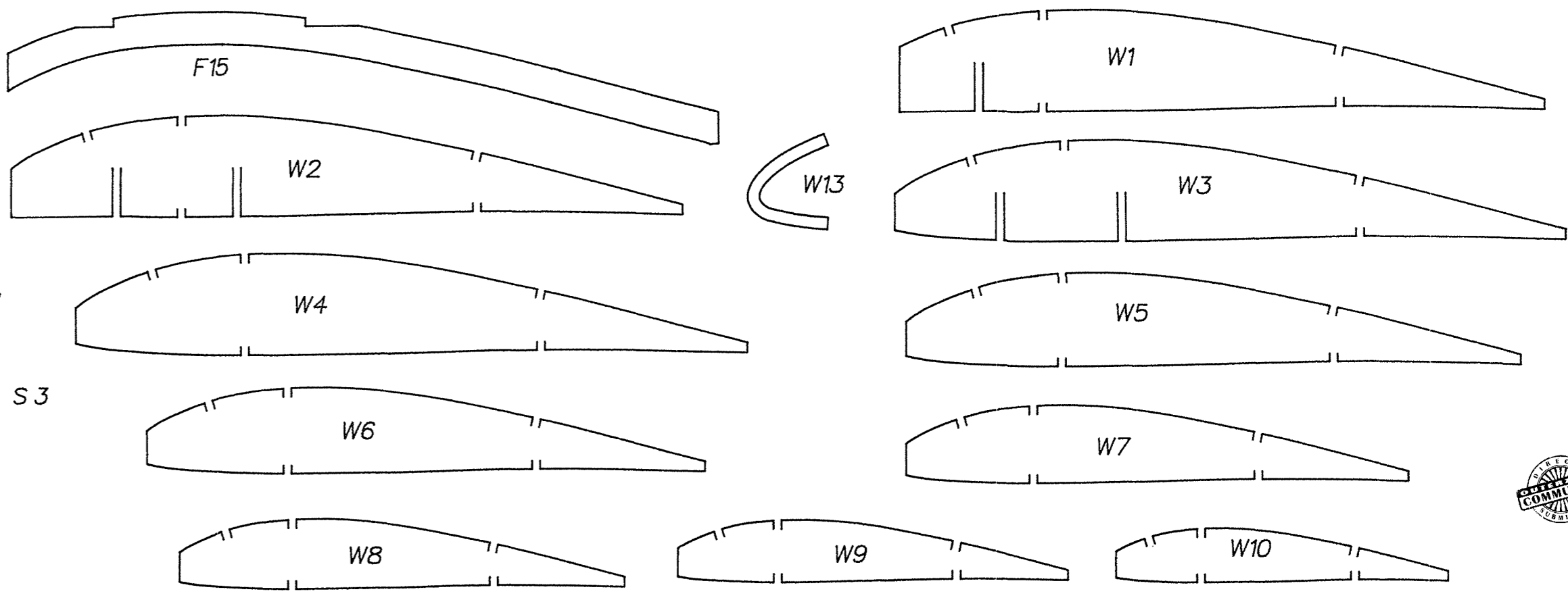


DECAL ON UPPER SURFACE OF RIGHT WING AND UNDERSIDE OF LEFT WING

SHAPE WING TIPS FROM Balsa BLOCK



HORIZONTAL STABILIZER



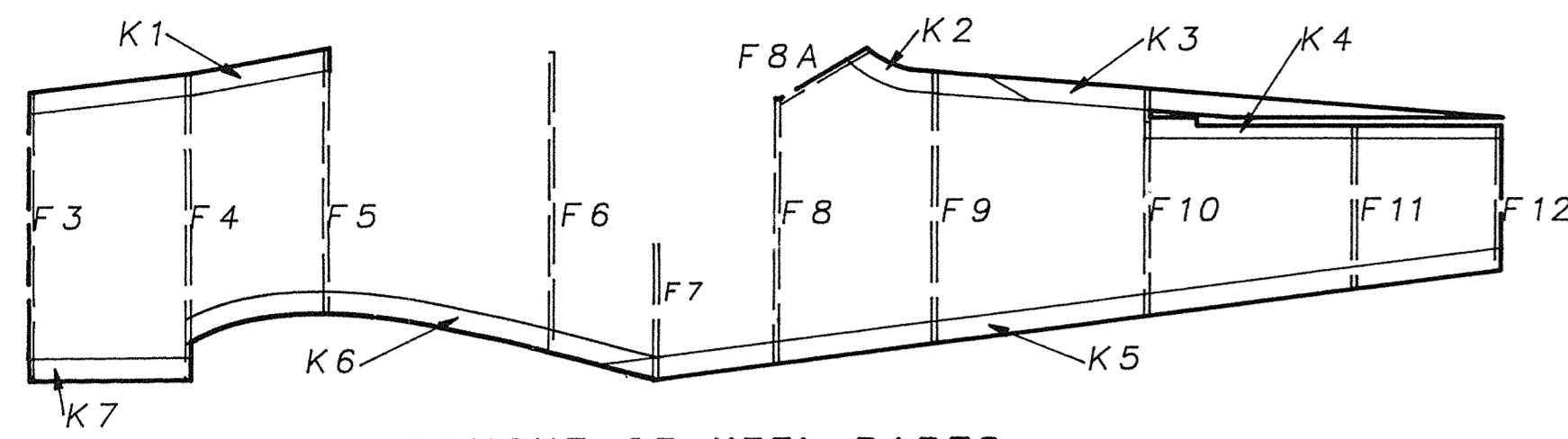
1295 H STREET
PENROSE, CO 81240 USA

NORTH AMERICAN AT6/SNJ

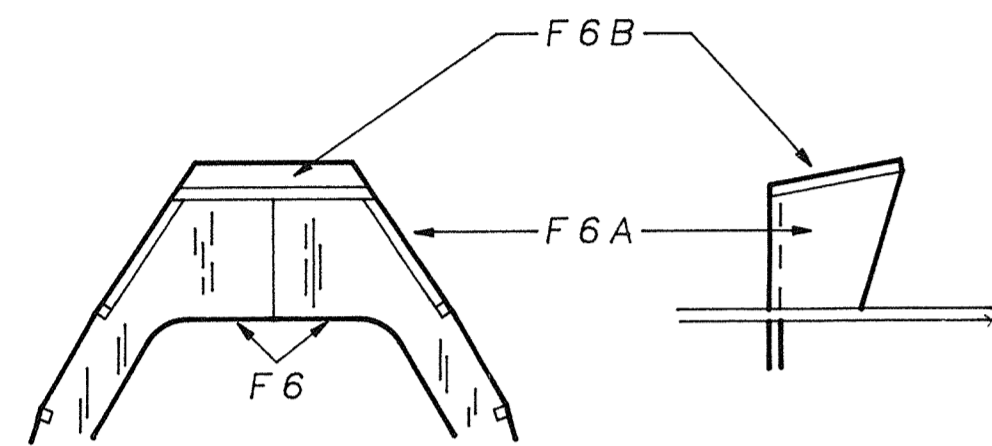
KIT #6316
Wingspan: 31-1/4" (79.4 cm)
Length: 20-3/4" (52.7 cm)
Design & Drawings by: Peter Shepherc

SHEET 2 OF 2

© Copyright Estes Industries 1997. All Rights Reserved.
(3/97) PN 5



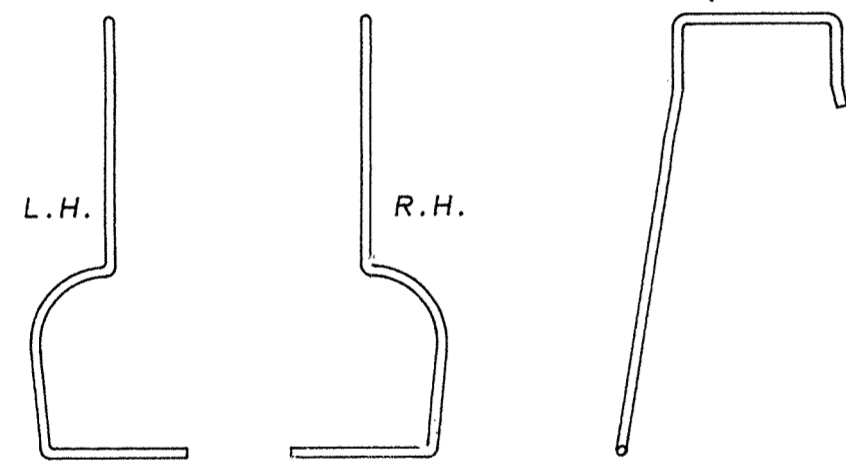
HALF SIZE LAYOUT OF KEEL PARTS.
BUILD OVER MAIN SIDE VIEW



SECTION AT F6
DETAIL OF REAR GLARE SHIELD

8" PLASTIC PROPELLOR

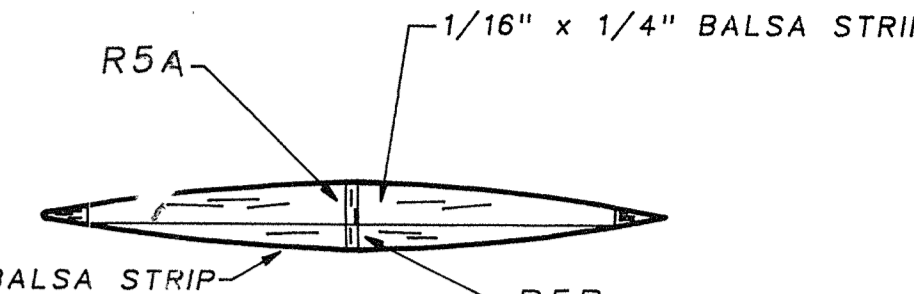
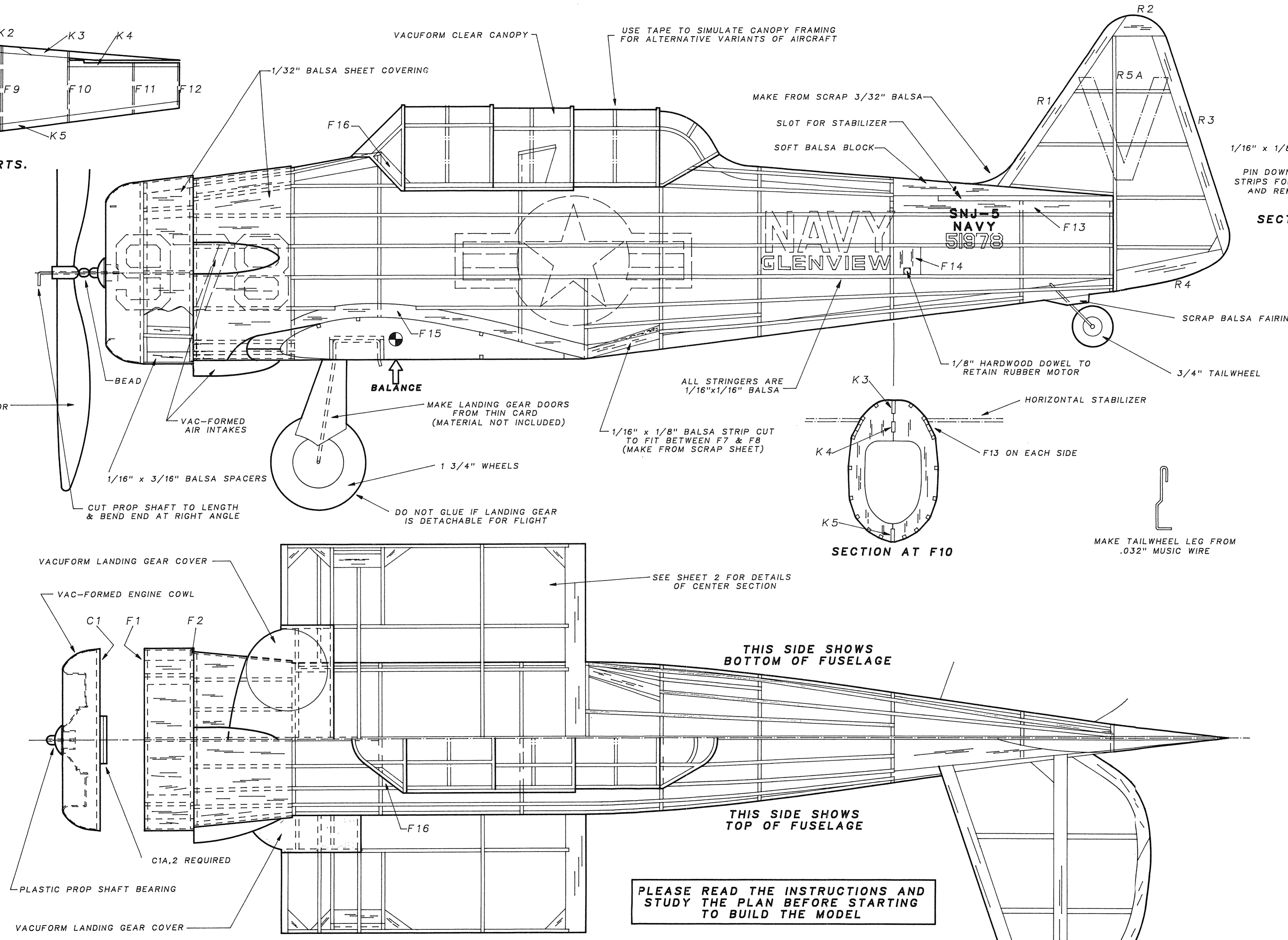
TOP OF GEAR LEGS TO BE A
GOOD FIT IN WING BOXES



FORM LANDING GEAR LEGS
FROM .045" MUSIC WIRE,
MAKE ONE LEFT HAND &
ONE RIGHT HAND

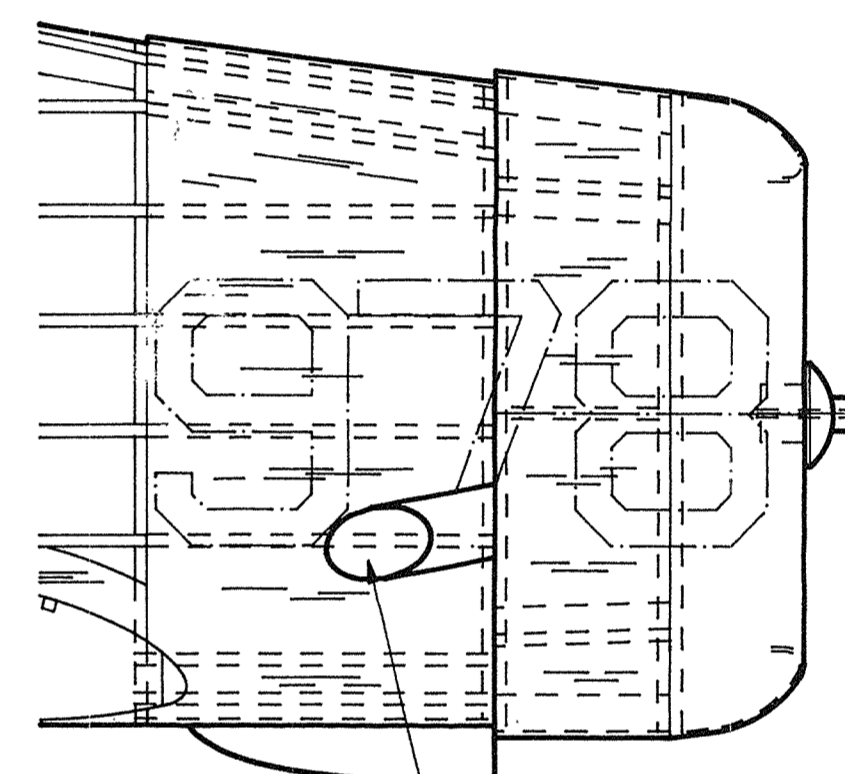


1295 H STREET
PENROSE, CO 81240 USA



SECTION THROUGH VERTICAL STABILIZER

PIN DOWN PARTS R1,R2, R3, R4 & R5. ADD 1/16" x 1/4" Balsa STRIPS FOR RIBS,WHEN GLUE IS DRY REMOVE FROM BOARD, FIT R5B AND REMAINING STRIPS FOR RIBS THEN SAND TO SHAPE SHOWN.



RIGHT HAND SIDE OF ENGINE COWL

PLEASE READ THE INSTRUCTIONS AND STUDY THE PLAN BEFORE STARTING TO BUILD THE MODEL

NORTH AMERICAN AT6/SNJ

KIT #6316
Wingspan: 31-1/4" (79.4 cm)
Length: 20-3/4" (52.7 cm)
 Design & Drawings by: Peter Shepherd

SHEET 1 OF 2

© Copyright Estes Industries 1997. All Rights Reserved. (3/97) PN 5866