

REPUBLIC THUNDERBOLT

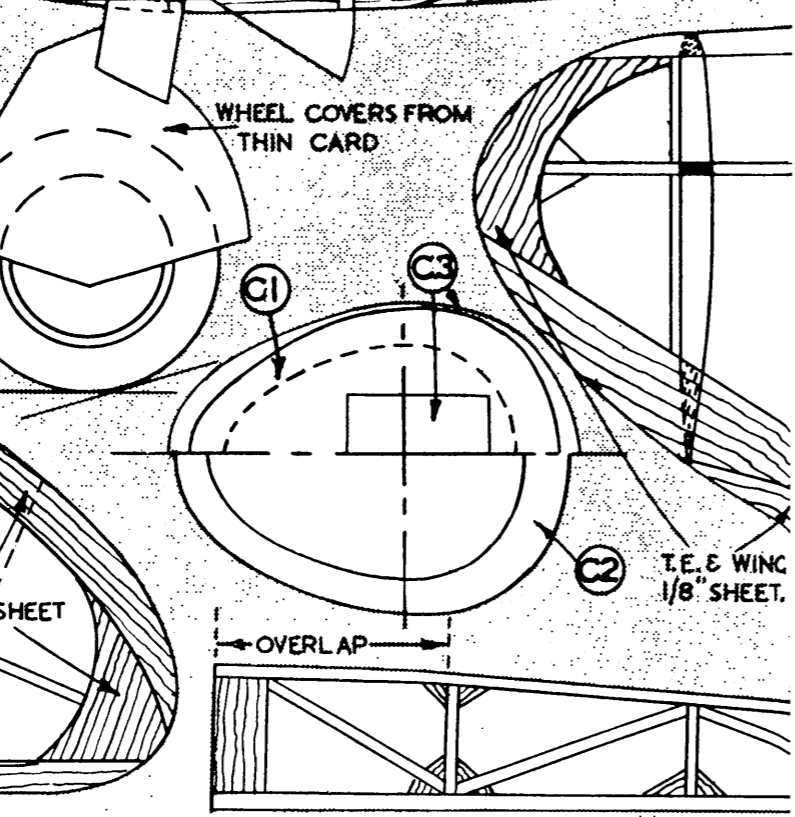
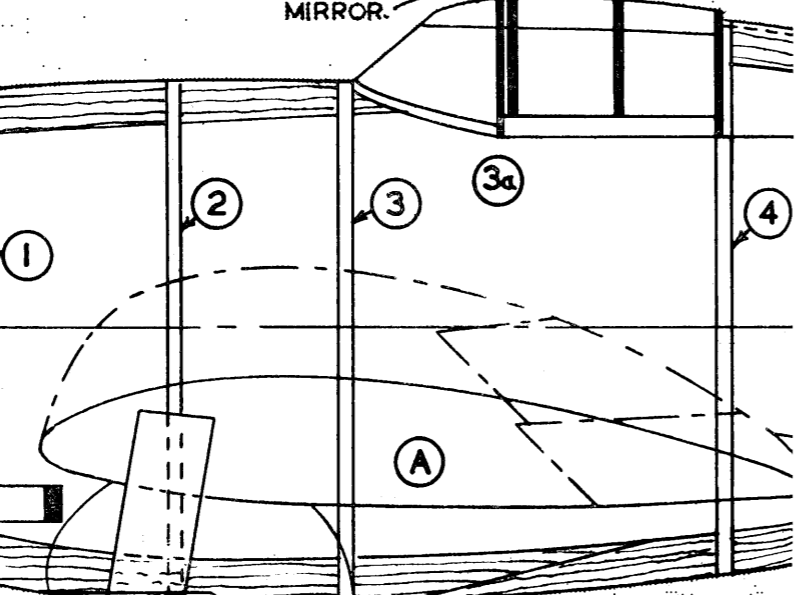
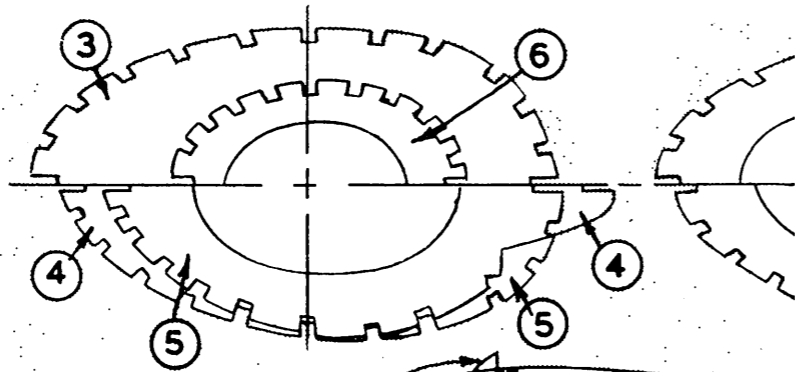
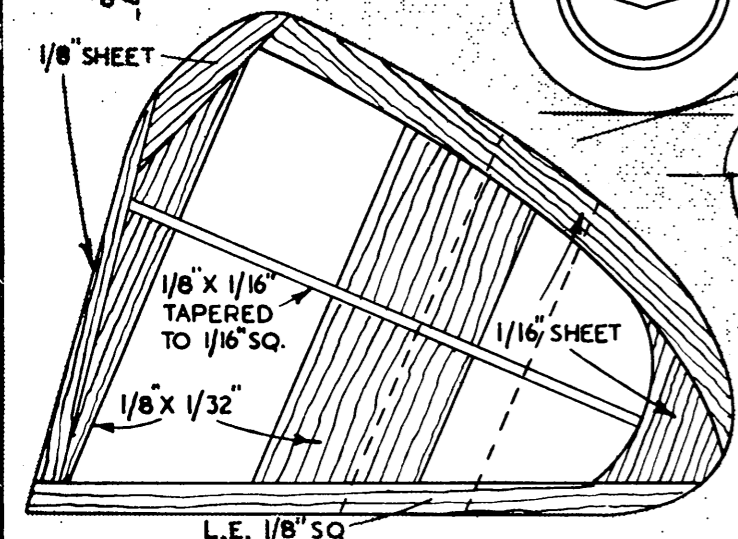
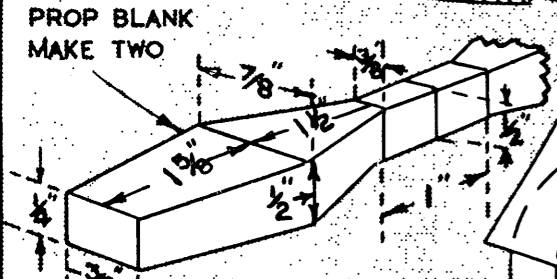
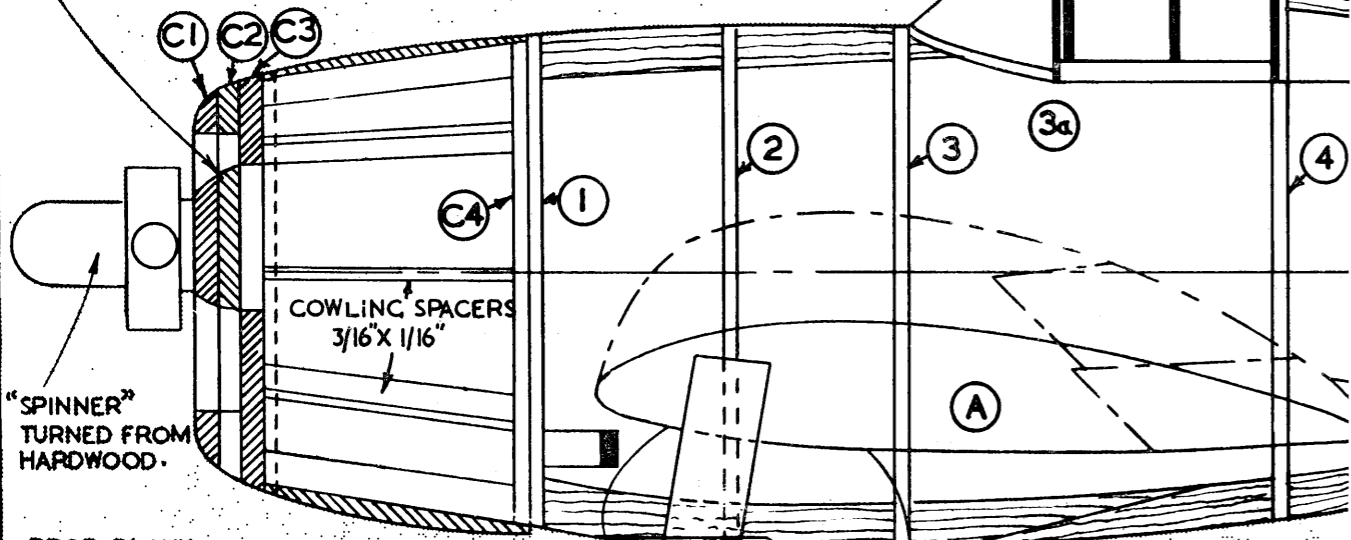
DESIGNED BY J.A.F. HALLS.

COLOUR SCHEME

DRAB OLIVE UPPER SURFACES
LIGHT GREY LOWER SURFACES

DUMMY CRANKCASE CEMENTED TO SOFT BALSA FITTING IN SQ. HOLE CUT IN C3.

PLANK COWLING TOP & SIDES WITH $1/8" \times 1/16"$ & BOTTOM WITH $1/8"$ SQ.



ALL FORMERS CUT FROM $1/16"$ SHEET
1 & C4 ARE SIMILAR EXCEPT THAT
C4 HAS NO STRINGER NOTCHES.

