

THE REGGINIA:

Scale the print out for a wing span of 23 1/2" inches

Reggiane

BY

DAVID G. SMITH
6715 LAKE ARCADIA LANE
COLUMBIA, SC 29206
2-7-96

RE-2000

HUNGARIAN 20001/1, '42, SOVIET UNION.

A BEAUTIFUL SERIES OF AIRCRAFT BUILT BY THE REGGIANE SUBSIDIARY OF CAPRONI A/C. ALL FOUR UTILIZED THE SAME WING AND TAIL GROUP.

FUSELAGE COLOR:

DK. GREEN MOTTLE
OVER YELLOW CO-RE,
LT. BLUE WING &
STAB.
UNDERSURFACES.

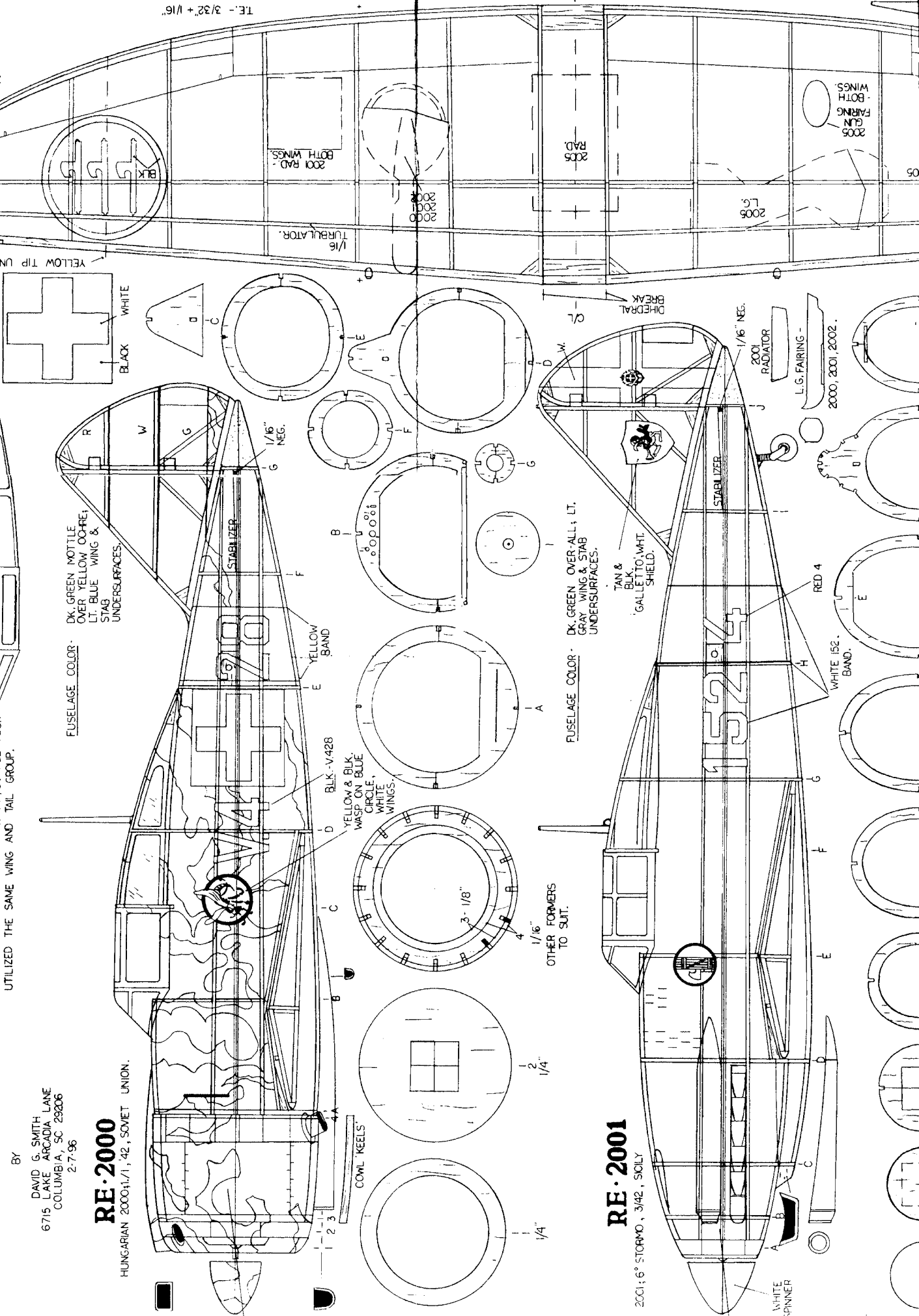
1/16" NEG.

2000 WING
BLACK
WHITE

YELLOW TIP UNDERSURFACES (2000)

2000

1/16"

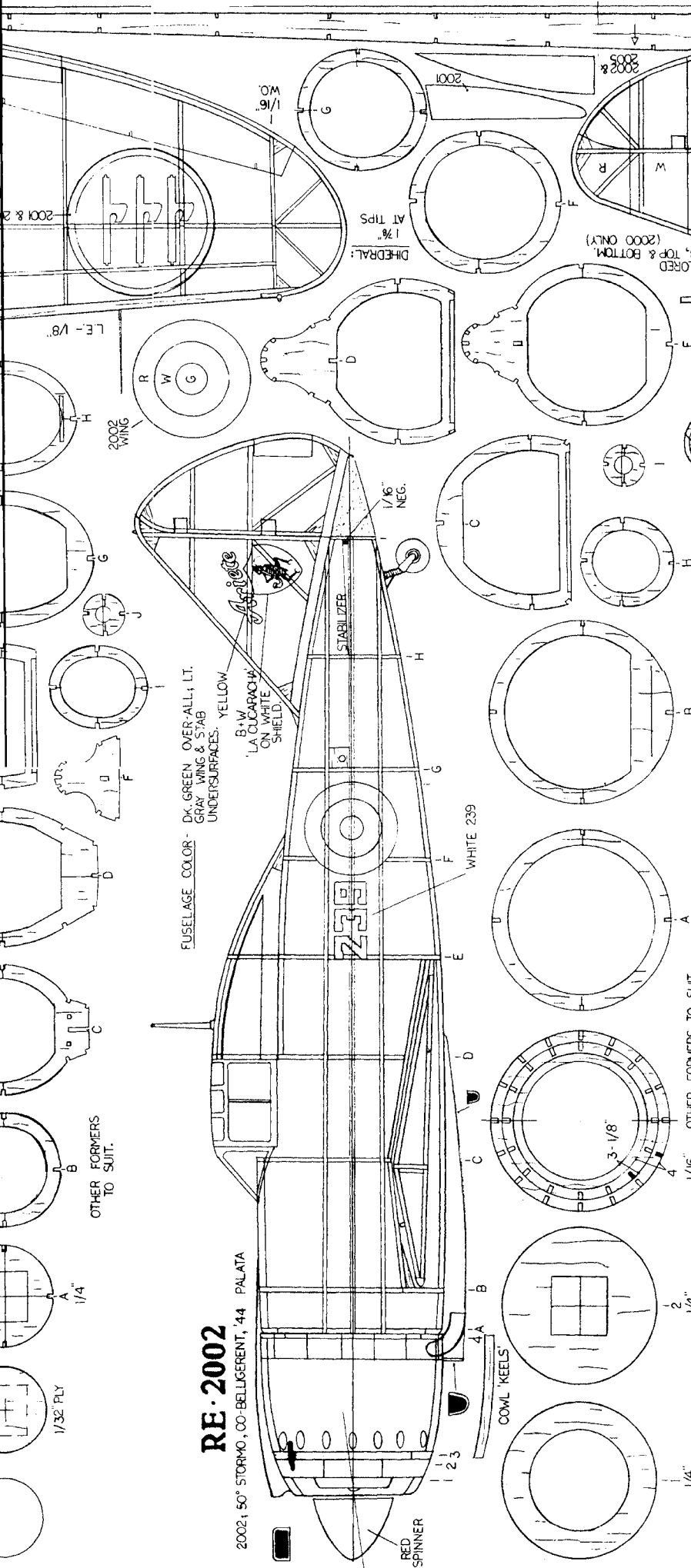


RE-2001

2001, 6° STORMO, 3/42, SICILY

RE-2002

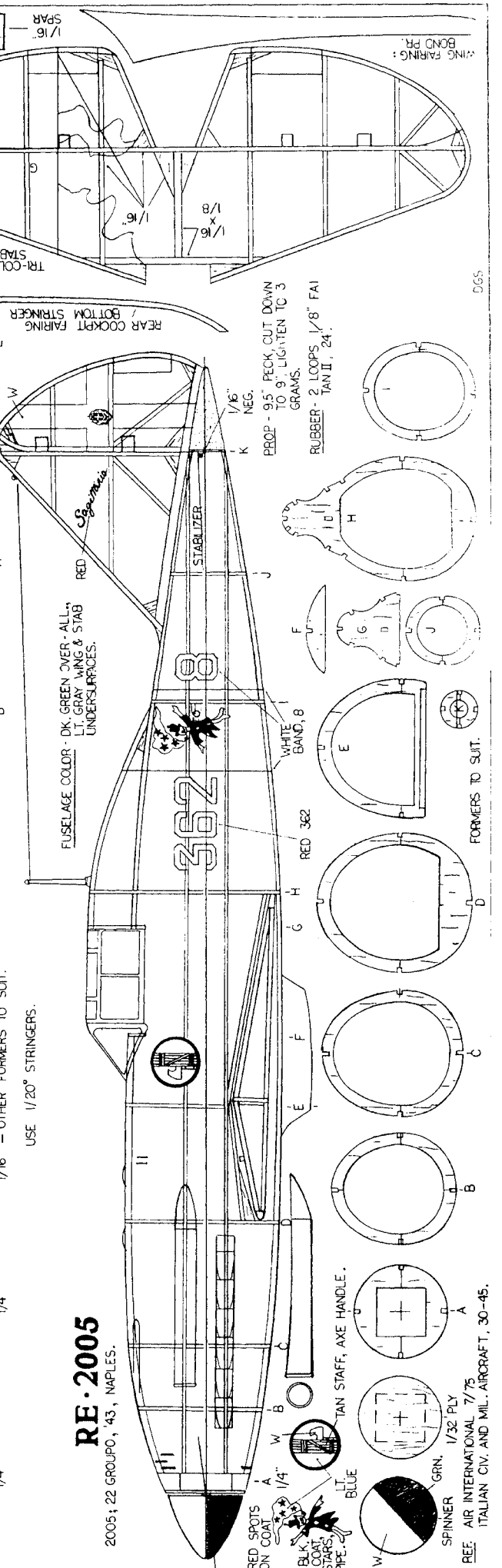
2002; 50° STORMO, CO-BELLIGERENT, '44 PALATA



FUSELAGE COLOR - DK. GREEN OVER-ALL; LT. GRAY WING & STAB UNDERSURFACES; YELLOW B+W 'LA CLARAVIA' ON WHITE SHIELD

RE-2005

2005; 22 GRUPO, '43, NAPLES.



FUSELAGE COLOR - DK. GREEN OVER-ALL; LT. GRAY WING & STAB UNDERSURFACES.

PROP - 9.5" PECK CUT DOWN TO 9". LIGHTEN TO 3 GRAMS.
RUBBER - 2 LOOPS 1/8" FAI TAN II, 24.

RED SPOTS ON COAT
BLK COAT STARS
REPE.
TAN STAFF, AXE HANDLE.
SPINNER 1/32 PLY GRN.
SEE: AIR INTERNATIONAL 7/75 ITALIAN CIV. AND MIL. AIRCRAFT, 30-45.