

WASHOUT
4° AT TIP

2 1/2° WASHOUT

1° WASHOUT

0° WASHIN
PROP PATTERN

1/32" BASSWOOD

AXIS OF CYLINDER

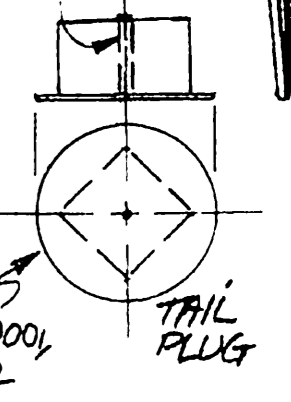
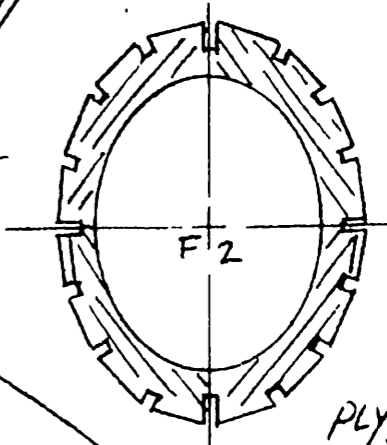
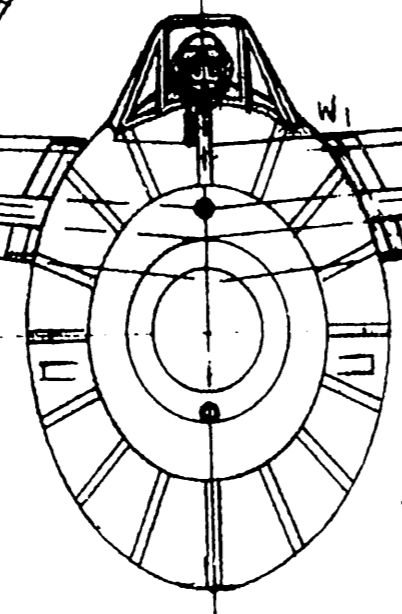
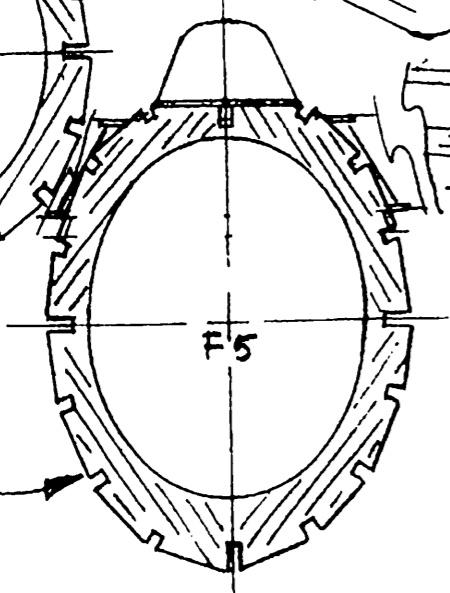
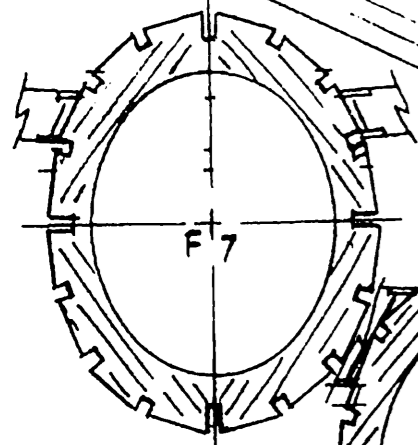
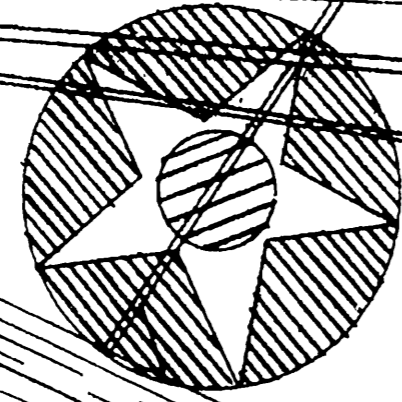
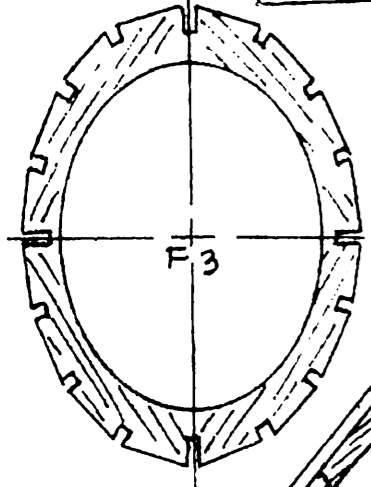
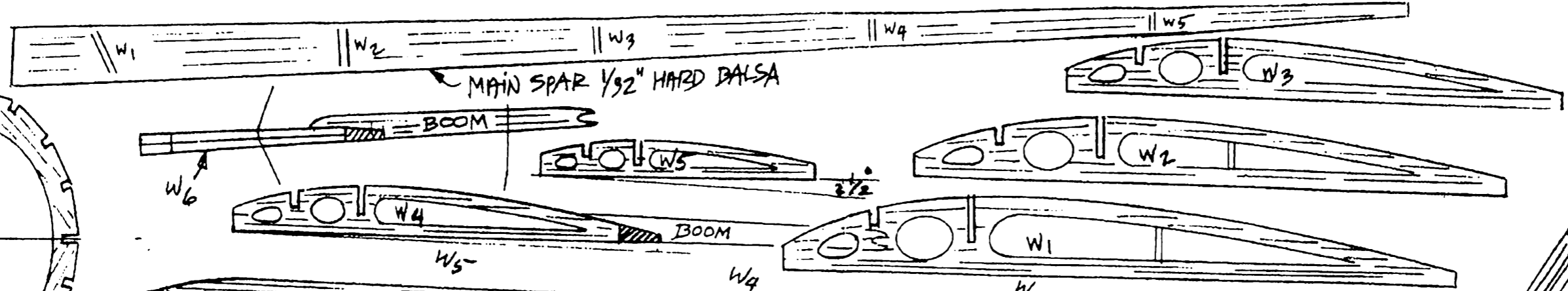
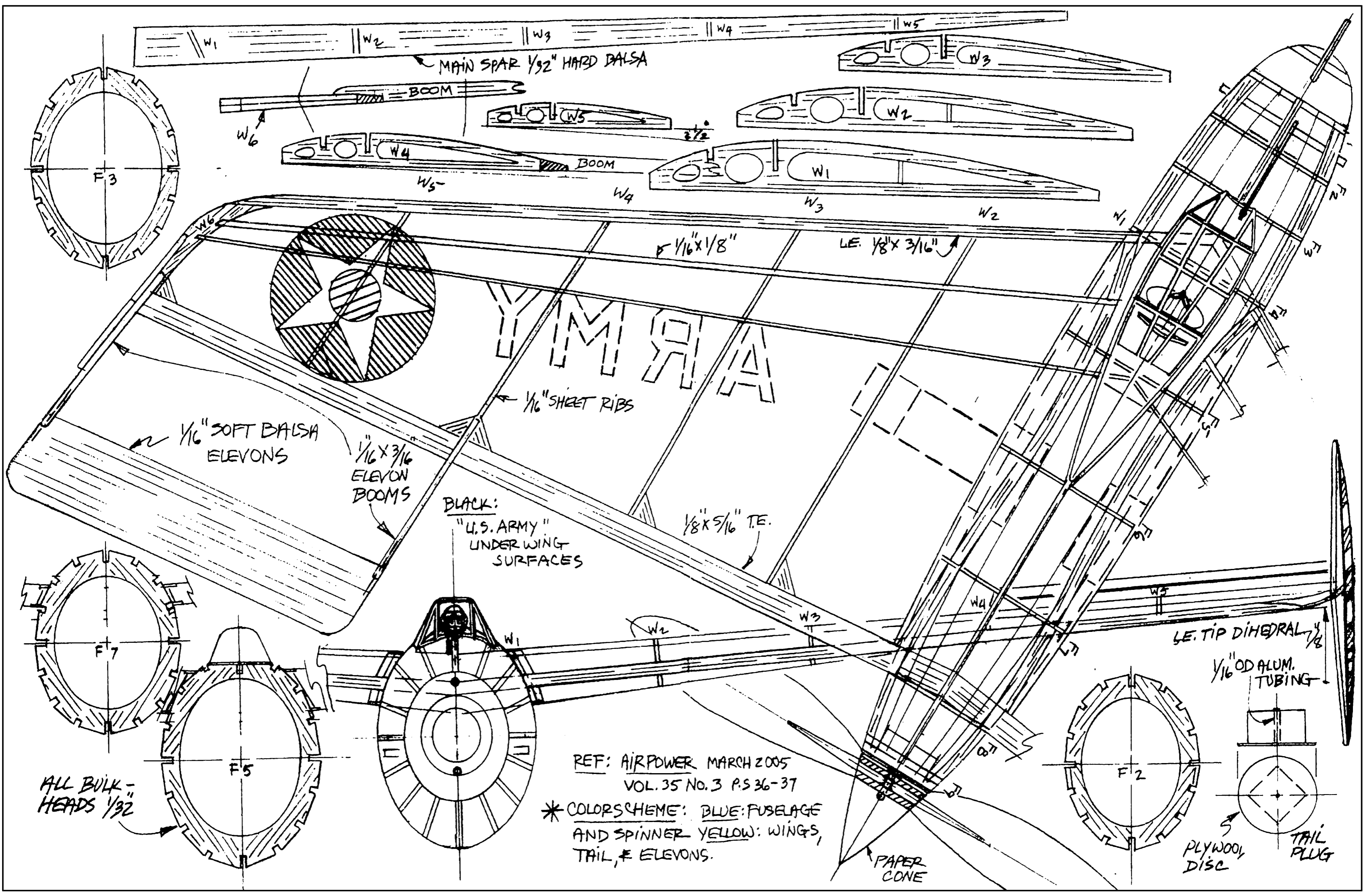
1/8" DOWEL

VACUFORM

SOFT WIRE HINGE

NOSE BLOCK
SOLID BALSAM

BOEING MODEL 306B
22" WINGSPAN FIGHTER
BY-PRES BRUNING 4/21/05



ALL BULK HEADS 1/32

1/16" SOFT BALS A ELEVONS

1/16" X 3/16" ELEVON BOOMS

BLACK:
"U.S. ARMY"
UNDER WING SURFACES

1/16" SHEET RIBS

REF: AIRPOWER MARCH 2005
VOL. 35 NO. 3 P. 36-37

* COLOR SCHEME: BLUE: FUSELAGE
AND SPINNER YELLOW: WINGS,
TAIL, & ELEVONS.

PAPER CONE

LE. TIP DIHEDRAL 1/8
1/16" OD ALUM. TUBING

PLYWOOD DISC

TAIL PLUG

MAIN SPAR 1/32" HARD Balsa

BOOM

BOOM

F 1/16" X 1/8"

LE. 1/8" X 3/16"

1/8" X 5/16" T.E.

LE. TIP DIHEDRAL 1/8

1/16" OD ALUM. TUBING

PLYWOOD DISC

TAIL PLUG

BLACK:
"U.S. ARMY"
UNDER WING SURFACES

1/16" SHEET RIBS

REF: AIRPOWER MARCH 2005
VOL. 35 NO. 3 P. 36-37

* COLOR SCHEME: BLUE: FUSELAGE
AND SPINNER YELLOW: WINGS,
TAIL, & ELEVONS.

PAPER CONE

LE. TIP DIHEDRAL 1/8
1/16" OD ALUM. TUBING

PLYWOOD DISC

TAIL PLUG

MAIN SPAR 1/32" HARD Balsa

BOOM

BOOM

F 1/16" X 1/8"

LE. 1/8" X 3/16"

1/8" X 5/16" T.E.

LE. TIP DIHEDRAL 1/8

1/16" OD ALUM. TUBING

PLYWOOD DISC

TAIL PLUG