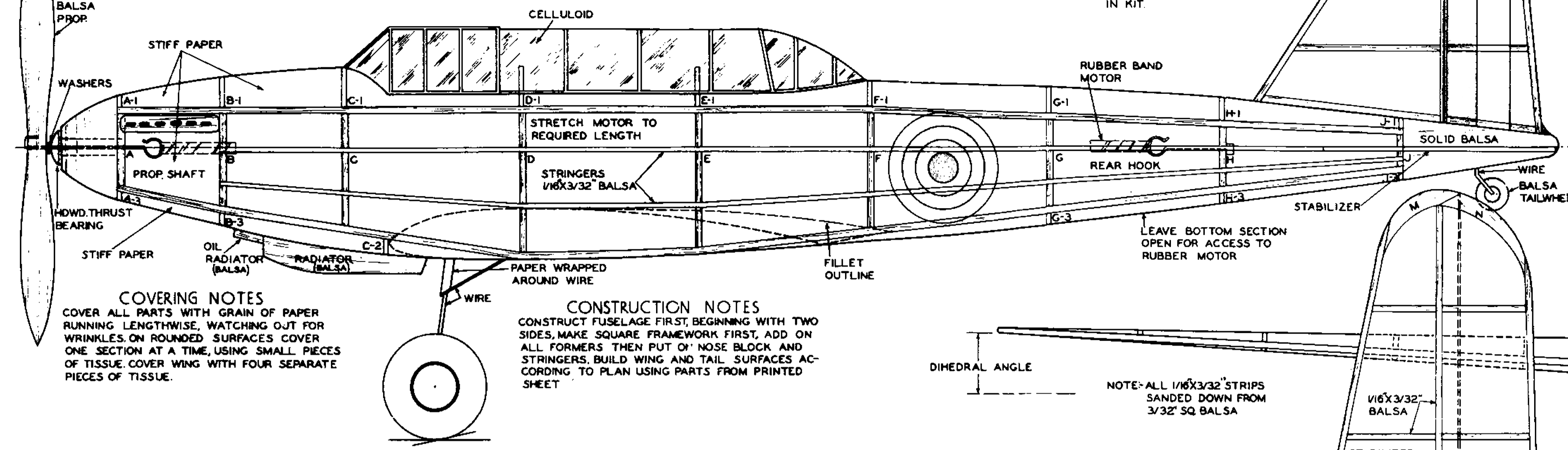
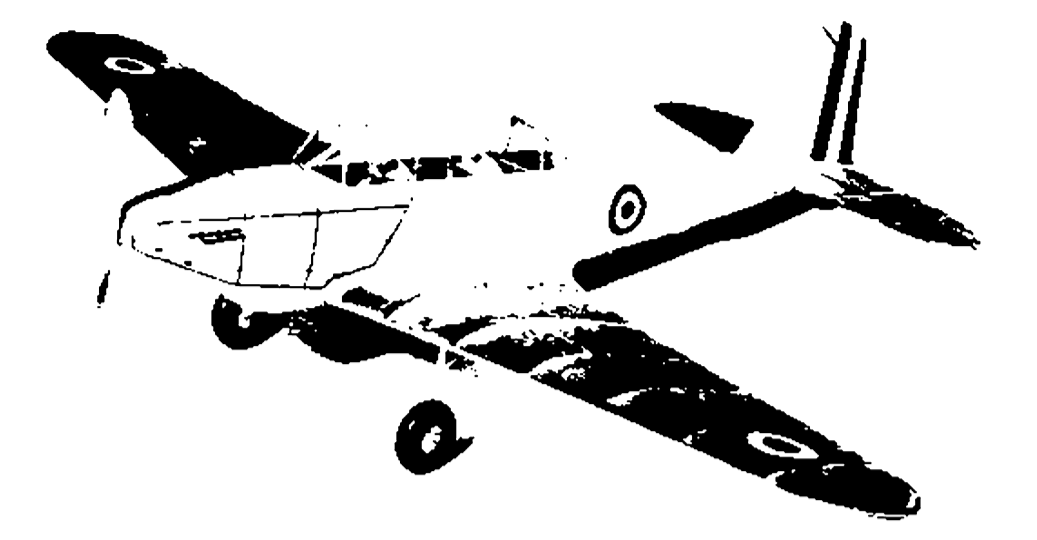


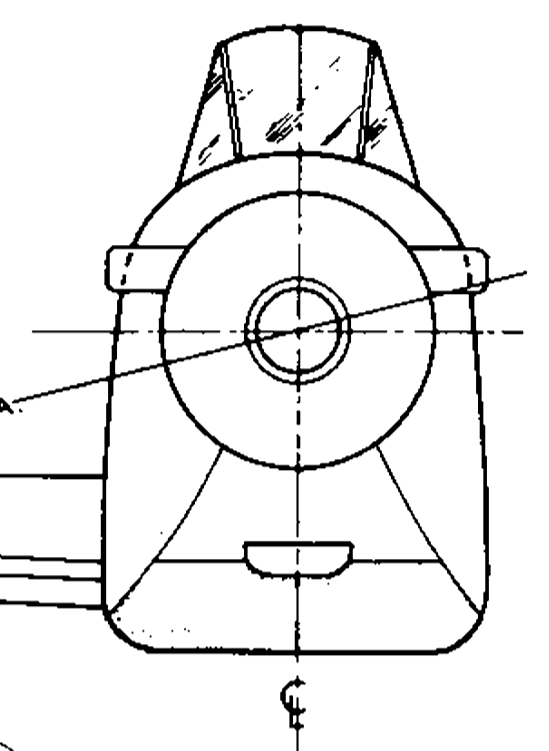
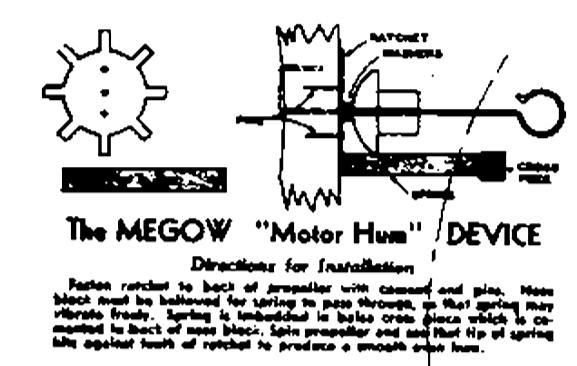
**COLOR SCHEME**  
 SILVER OR WHITE- FUSELAGE, FIN, BOTTOM OF WING, LANDING GEAR AND STABILIZER  
 YELLOW- TOP OF WING AND STABILIZER  
 INSIGNIA- RED, WHITE, BLUE

NOTE: PROP SHAFT AND REAR HOOK BENT FROM WIRE FURNISHED IN KIT.

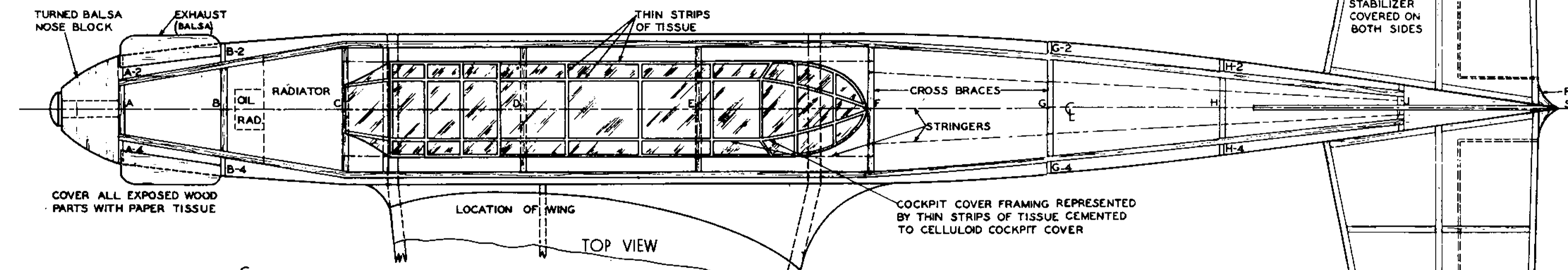


**COVERING NOTES**  
 COVER ALL PARTS WITH GRAIN OF PAPER RUNNING LENGTHWISE, WATCHING OUT FOR WRINKLES. ON ROUNDED SURFACES COVER ONE SECTION AT A TIME, USING SMALL PIECES OF TISSUE. COVER WING WITH FOUR SEPARATE PIECES OF TISSUE.

**CONSTRUCTION NOTES**  
 CONSTRUCT FUSELAGE FIRST, BEGINNING WITH TWO SIDES, MAKE SQUARE FRAMEWORK FIRST, ADD ON ALL FORMERS THEN PUT ON NOSE BLOCK AND STRINGERS, BUILD WING AND TAIL SURFACES ACCORDING TO PLAN USING PARTS FROM PRINTED SHEET

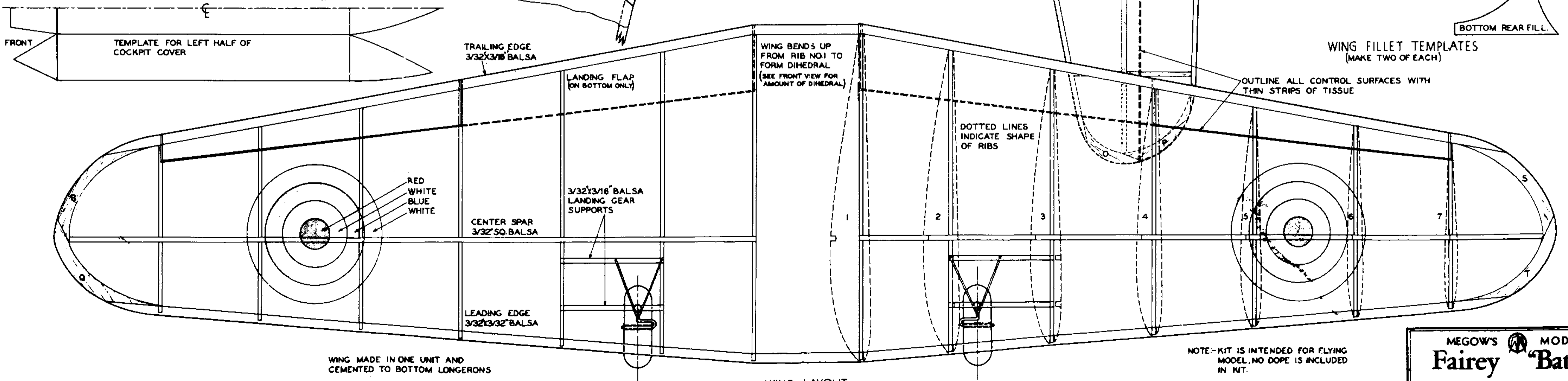


FRONT VIEW



TOP VIEW

WING FILLET TEMPLATES (MAKE TWO OF EACH)



WING LAYOUT

MEGOW'S MODELS  
**Fairey "Battle"**  
 30" FLYING SCALE DRAWING FULL SIZE  
 KIT NO. J8